



# SPARE PARTS

2010



**W**e make life easier for users through the constant development of better systems with high operational reliability and long service life. Couplings, manual, automatic and power-assisted, for steering axle and centre axle trailers of all weight classes. Underride protection, drawbars, drawbeams and other accessories. Our products undergo several stages of corrosion protection treatment. All meet the national and international standards for their respective markets.

**Spare parts Coupling equipment '10**  
**© VBG GROUP TRUCK EQUIPMENT AB**  
Edition I, 2010-02-09

The contents in this publication may not be reproduced either in full, or in part, without the prior approval of VBG GROUP TRUCK EQUIPMENT AB in writing. This prohibition is applicable for all forms of reproductions in all types of media, including electronic media.

Graphic design  
Isabell Bergman

VBG GROUP TRUCK EQUIPMENT AB reserve the right to amend or alter specifications at their discretion.

## COUPLINGS

---

VBG 750V/795V/795VR .....	4
VBG 760 .....	5
VBG 7310D .....	6
VBG 575V/590V/590VR .....	7
VBG 5190D .....	8
VBG 8500 .....	9
VBG 8040 .....	10
VBG 6000 .....	11
VBG 620/623/627/3000 .....	12
VBG 200 .....	13
VBG 1050 .....	14
VBG MFC .....	15

## SERVICE TOOLS

---

.....	18
-------	----

## POWER ACTUATORS

---

Power actuator version 1.0 .....	19
Power actuator version 2.0 .....	20
Power actuator version 3.0 .....	21

## UNDERRUN PROTECTION

---

.....	22
-------	----

## DRAWBARS

---

Multi XF Drawbar D:130/162/179 kN .....	24
Optimal Drawbar .....	25
Automatic drawbar .....	25
Multi drawbar D:130/146 kN .....	28
Multi drawbar D:179 kN .....	29
Attachment parts .....	30

## DRAWBAR EYES

---

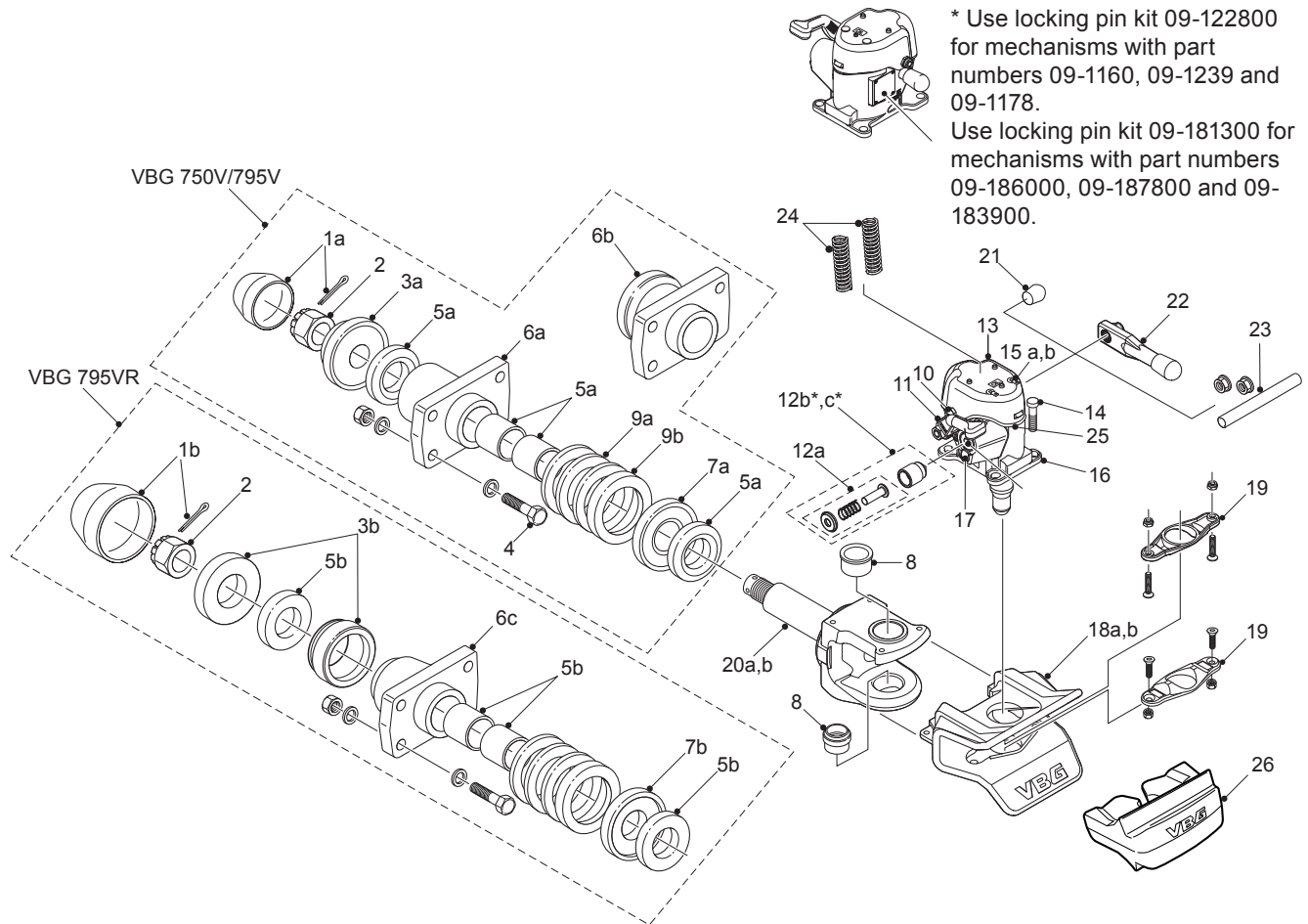
.....	31
-------	----

## POWER PLUGS

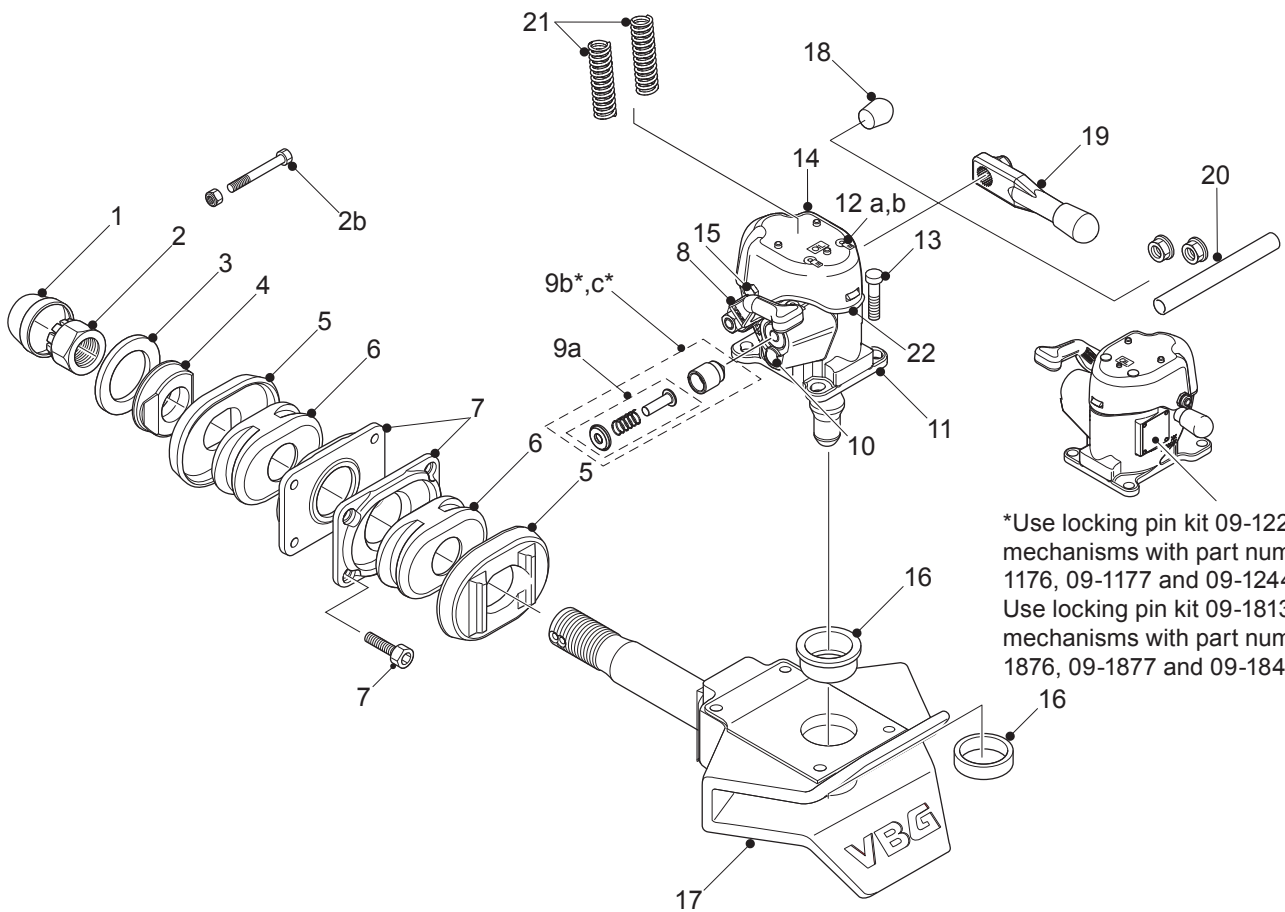
---

Power plug 14/17 .....	32
Power plug 14/17 ADR .....	33

# VBG 750V/795V/795VR



Pos	Part No.	Description	Pos	Part No.	Description
1a	09-065400	Nut cover, incl. split pin 750V/795V	15a	09-177500	Grease plug, 10-pack
1b	09-125400	Nut cover, incl. split pin 795VR	15b	09-127000	Grease plug, 3-pack
2	36-021800	Castellated nut	16	09-119000	Mechanism incl Pos 8, 14, 19 (x2)
3a	18-054900	Bearing plate, inner	17	09-127100	Plastic plug
3b	09-125500	Bearing box kit 795VR, inner	18a	09-069700	Guiding funnel 795V/795VR
4	05-063400	Bolt kit	18b	09-069800	Guiding funnel 750V
5a	09-066200	Rubber bearing kit 750V/795V, incl pos 1a	19	09-066100	Wear plate (1 kit used for 750V and 2 kits for 795V/795VR)
5b	09-125600	Rubber bearing kit 795VR, incl pos 1b	20a	09-067100	Coupling jaw 795V/795VR incl pos 2, 8, 18a
6a	09-067300	Drawbeam sleeve VBG 795V incl pos 4, 5a	20b	09-067000	Coupling jaw 750V incl pos 2, 8, 18b
6b	09-067200	Drawbeam sleeve VBG 750V incl pos 4, 5a	21	09-123700	Cap
6c	09-125700	Drawbeam sleeve VBG 795VR incl pos 4, 5b	22	09-123300	Handle right
7a	18-054700	Bearing plate, outer 750V/795V	23	09-126400	Sleeve kit for handle 67 mm (for moving handle from left to right side)
7b	09-125800	Bearing plate, outer 795VR	24	09-126500	Closing spring kit
8	09-068400	Bushing	25	09-177600	Sealing kit, cover
9a	18-003000	Bar spacer washer 4 mm kit	26	09-014500	Protective insert
9b	18-066400	Bar spacer washer 10 mm			
10	09-123600	Bolt kit for mechanism cover	09-119700		Conversion kit 3.0, pos 16 and pos 11 p. 17
11	09-123200	Handle left	09-120100		Conversion kit 3.0, pos 16 and pos 11 p. 17, incl Sensor compl pos 26 p.17
12a	09-126300	Signal pin kit	09-119500		Renovation 750V/795V, pos 5a, 16 and pos 11 p. 17
12b*	09-122800	Indicator & locking device	09-119900		Renovation 750V/795V incl Sensor compl (pos 26 p. 17)
12c*	09-181300	Indicator & locking device			
13	09-123100	Mechanism cover complete kit			
14	09-120800	Bolt kit			

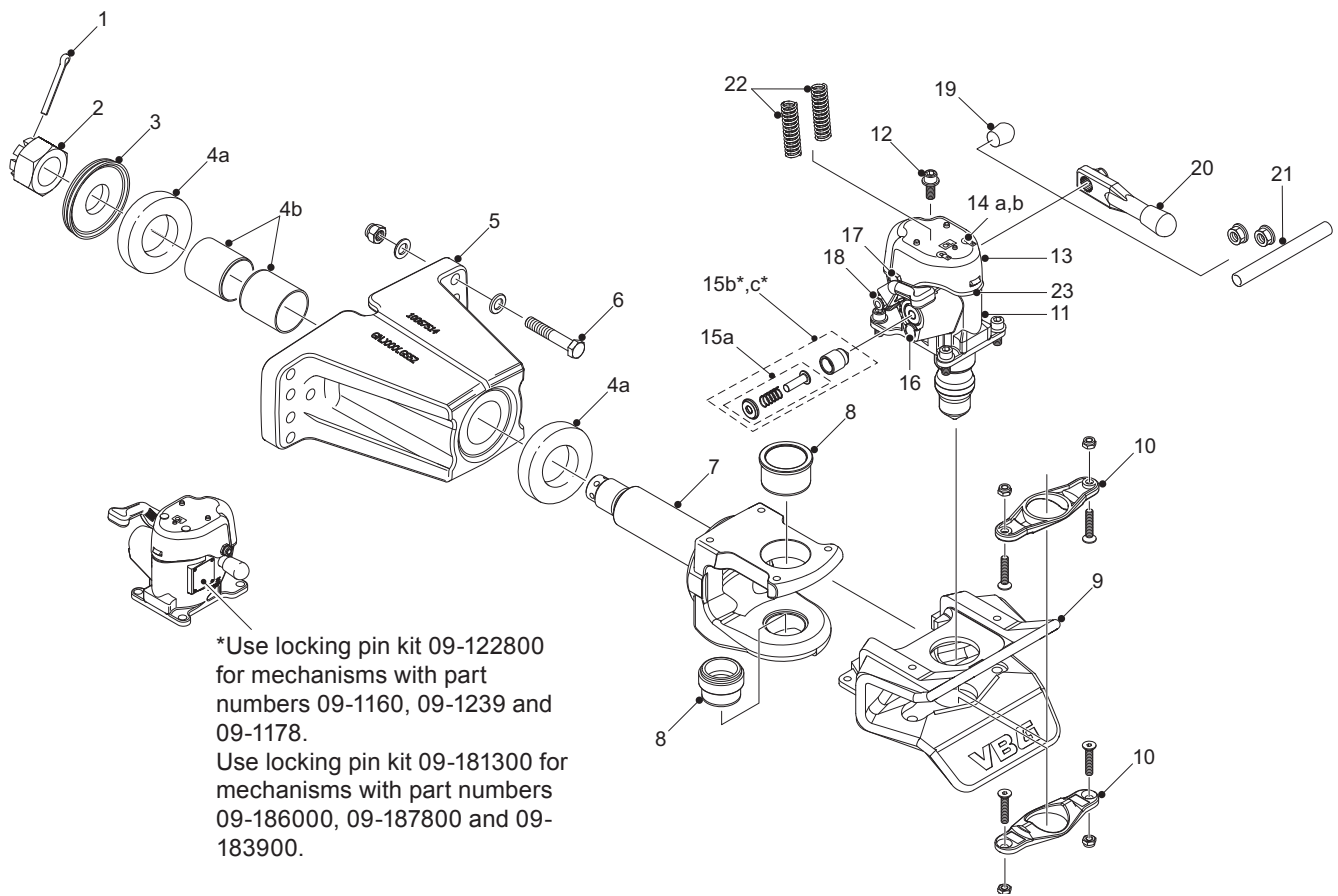


\*Use locking pin kit 09-122800 for mechanisms with part numbers 09-1176, 09-1177 and 09-1244.  
Use locking pin kit 09-181300 for mechanisms with part numbers 09-1876, 09-1877 and 09-1844.

Pos	Part No.	Description	Pos	Part No.	Description
1	18-000400	Nut cover	11	09-120200	Mechanism VBG 760 incl. Pos 13, 16
2	18-000300	Castellated nut incl. Pos 2b	12a	09-177500	Grease plug, 10-pack
2b	09-125000	Lock kit, castle nut	12b	09-127000	Grease plug, 3-pack
3	18-015700	Washer 6 mm	13	09-119300	Screw kit
4	18-076600	Washer	14	09-123100	Mechanism cover kit
5	18-003800	Bearing plate kit	15	09-123600	Screw kit for mechanism cover
6	18-003500	Rubber block kit incl. Pos 2b	16	18-000800	Bushing kit VBG 760
7	18-075300	Beam plates incl. screw	17	05-078700	Coupling jaw VBG 760
8	09-123200	Handle left			
9a	09-126300	Signal pin kit	18	09-123700	Cap
9b*	09-122800	Indicator & locking device	19	09-123300	Handle right
9c*	09-181300	Indicator & locking device	20	09-126400	Sleeve kit for handle 67 mm (for moving handle from left to right side)
10	09-127100	Plastic plug	21	09-126500	Closing spring kit
			22	09-177600	Sealing kit, cover

**09-120300** Conversion kit 3.0, pos 11 and pos 11 p. 17  
**09-120400** Conversion kit 3.0, pos 11 and pos 11 p. 17  
 incl Sensor complete (pos 26 p. 17)

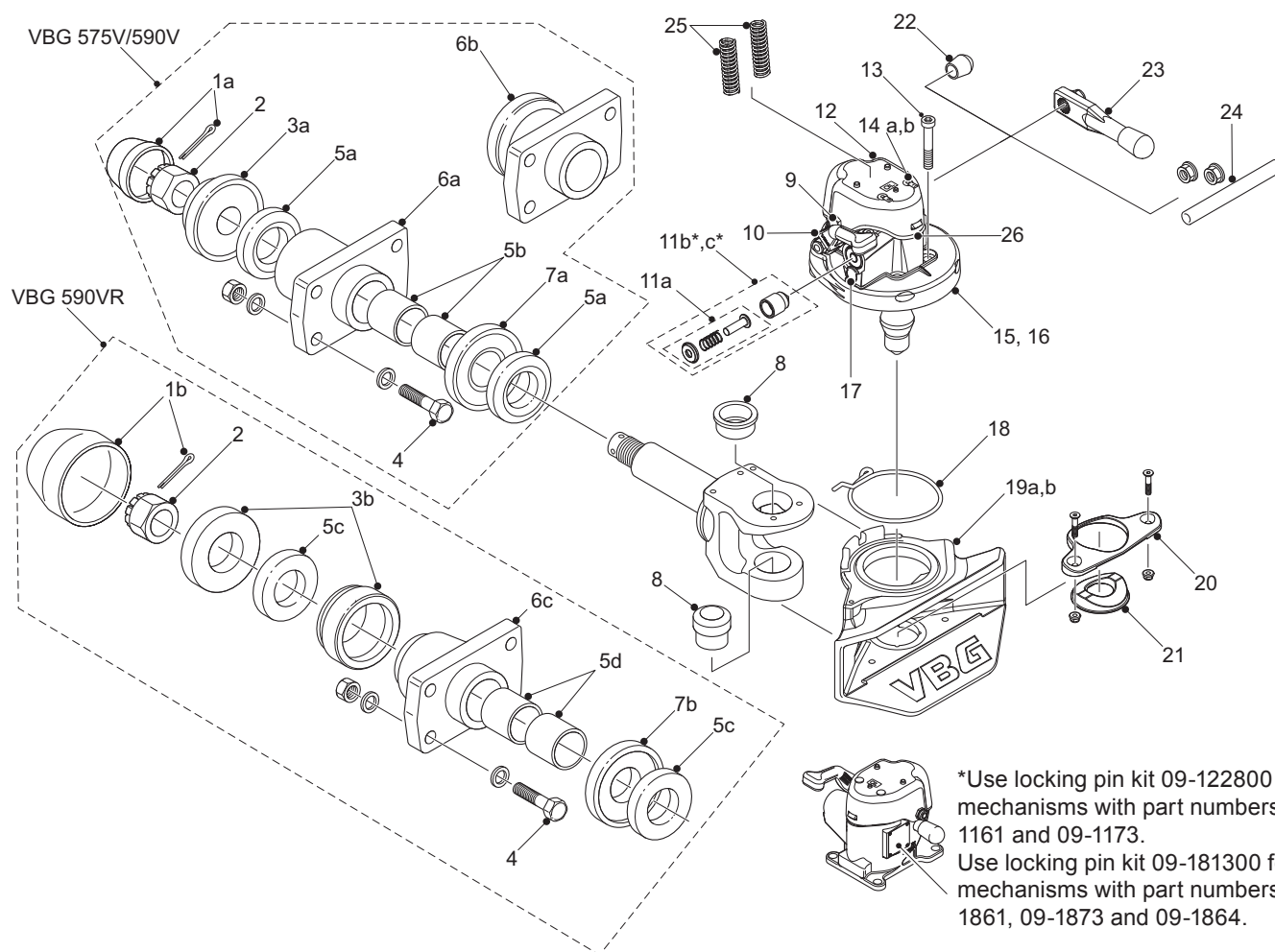
# VBG 7310D



\*Use locking pin kit 09-122800 for mechanisms with part numbers 09-1160, 09-1239 and 09-1178.  
Use locking pin kit 09-181300 for mechanisms with part numbers 09-186000, 09-187800 and 09-183900.

Pos	Part No.	Description	Pos	Part No.	Description
1	09-126200	Cotter	13	09-123100	Mechanism cover complete kit
2	36-021800	Castellated nut	14a	09-177500	Grease plug, 10-pack
3	18-054900	Bearing box	14b	09-127000	Grease plug, 3-pack
4a, b	09-125900	Rubber element insert	15a	09-126300	Signal pin kit
5	09-126000	Drawbeam sleeve, incl. pos. 4b	15b*	09-122800	Signal and lock pin kit
6	09-126100	Bolt kit	15c*	09-181300	Signal and lock pin kit
7	09-067100	Coupling jaw	16	09-127100	Plastic plug
8	09-068400	Bushing kit	17	09-123600	Screw kit for mechanism cover
9	09-069700	Coupling mouth	18	09-123200	Handle, left
10	09-066100	Wear plate kit, 2 kits used	19	09-123700	Plastic knob
11	09-119000	Mechanism incl. pos. 8, 12, 10 (x2)	20	09-123300	Handle, right
12	09-120800	Screw kit	21	09-126400	Sleeve kit for handle 67 mm (for moving handle from left to right side)
			22	09-126500	Closing spring kit
			23	09-177600	Sealing kit, cover

# VBG 575V/590V/590VR



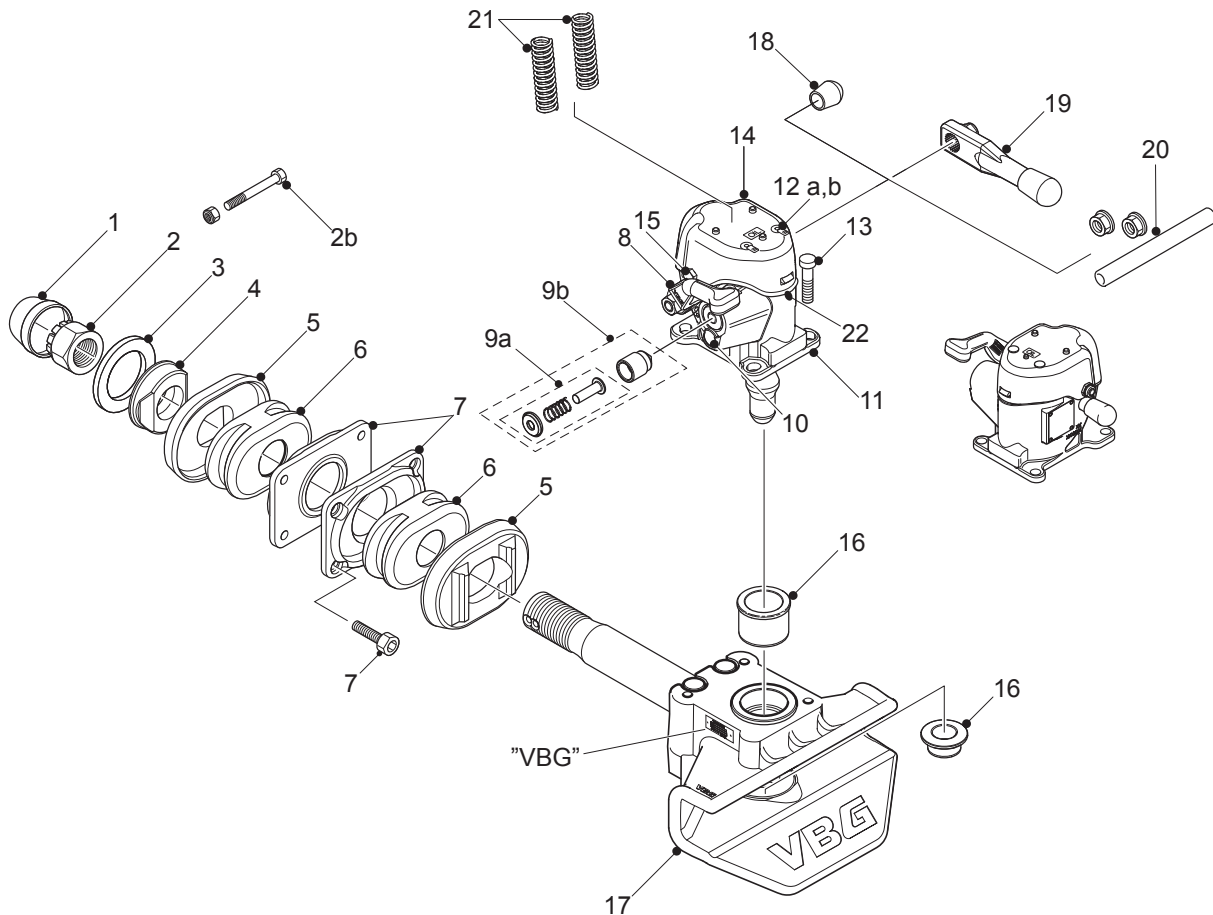
\*Use locking pin kit 09-122800 for mechanisms with part numbers 09-1161 and 09-1173.  
Use locking pin kit 09-181300 for mechanisms with part numbers 09-1861, 09-1873 and 09-1864.

Pos	Part No.	Description	Pos	Part No.	Description
1a	09-065400	Nut cover and split pin 575V/590V	11a	09-126300	Signal pin kit
1b	09-125400	Nut cover and split pin 590VR	11b*	09-122800	Indicator & locking device
2	36-021800	Castellated nut	11c*	09-181300	Indicator & locking device
3a	18-054900	Bearing plate 575V/590V, inner	12	09-123100	Mechanism cover complete kit
3b	09-125500	Bearing plate kit 590VR, inner	13	09-120800	Bolt kit
4	05-063400	Bolt kit	14a	09-177500	Grease plug, 10-pack
5a, b	09-066200	Rubber bearing kit 575V/590V, incl. Pos 1	14b	09-127000	Grease plug, 3-pack
5c, d	09-125600	Rubber bearing kit 590VR, incl. Pos 1	15	09-120900	Cover kit
6a	09-065300	Drawbeam sleeve VBG 590V incl pos 5b	16	09-121000	Mechnism incl Pos 8, 13, 18, 21
6b	09-054200	Drawbeam sleeve VBG 575V incl. Pos 5b	17	09-127100	Plastic plug
6c	09-125700	Drawbeam sleeve VBG 590VR incl. Pos 4, 5d	18	18-061400	Torsion spring
7a	18-054700	Bearing plate 575V/590V, outer	19a	09-124100	Guiding funnel version 3.0
7b	09-125800	Bearing plate 590VR, outer	19b	09-061073	Guiding funnel version 2.0
8	09-121300	Bushing kit	20	09-121200	Wear plate holder kit
9	09-123600	Bolt kit for mechanism cover	21	09-121100	Wear plate kit incl Pos 20
10	09-123200	Handle left	22	09-123700	Cap
			23	09-123300	Handle right
			24	09-126400	Sleeve kit for handle 67 mm (for moving handle from left to right side)
			25	09-126500	Closing spring kit
			26	09-177600	Sealing kit, cover

**09-121400 Conversion kit 3.0, pos 16, 19a, 26 (p. 17)**

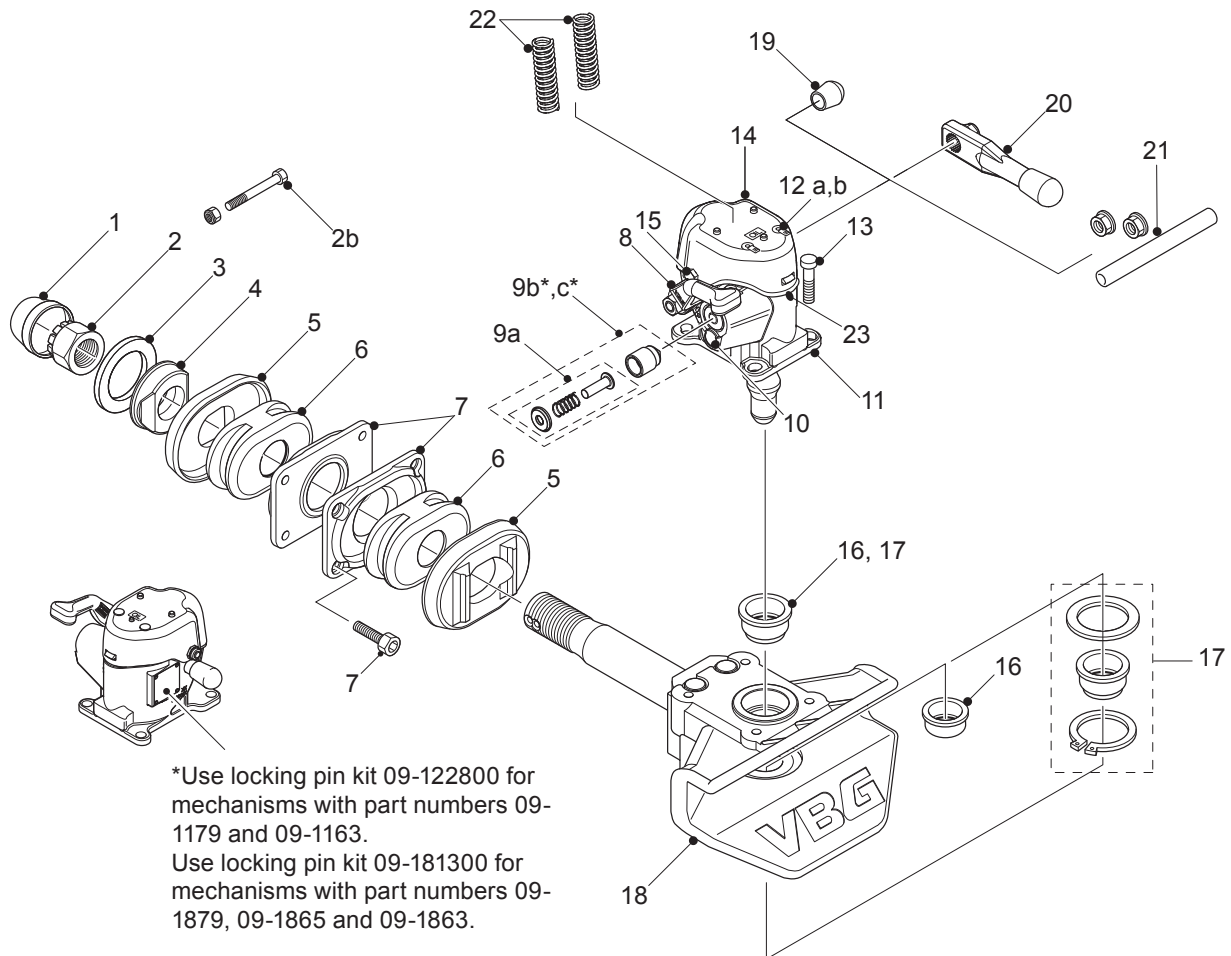
**09-121600 Conversion kit 3.0, pos 16, 19a, 26 (p. 17)  
incl Bracket kit pos 23c p. 17**

# VBG 5190D



Pos	Part No.	Description	Pos	Part No.	Description
1	18-000400	Nut cap	14	09-123100	Mechanism cover, kit
2	18-000300	Castellated nut incl. pos. 2b	15	09-123600	Screw kit for mechanism cover
2b	09-125000	Lock kit castellated nut	16	09-129300	Bushing kit VBG 5190D
3	18-015700	Washer 6 mm	17	09-129200	Clamp VBG 5190D incl. castellated nut and pos. 1, 16
4	18-076600	Nut washer	18	09-123700	Plastic knob
5	18-003800	Bearing box kit	19	09-123300	Handle, right
6	18-003500	Rubber element kit incl. pos. 2b	20	09-126400	Sleeve kit for handle 67 mm (for moving handle from left to right side)
7	18-075300	Beam washers incl. screw	21	09-126500	Closing spring kit
8	09-123200	Handle, left	22	09-177600	Sealing kit, cover
9a	09-126300	Signal pin kit			
9b	09-181300	Signal and lock pin kit			
10	09-127100	Plastic plugs			
11	09-129400	Mechanism VBG 5190D incl. pos. 13, 16			
12a	09-177500	Grease plugs, 10-pack			
12b	09-127000	Grease plugs, 3-pack			
13	09-119300	Screw kit			

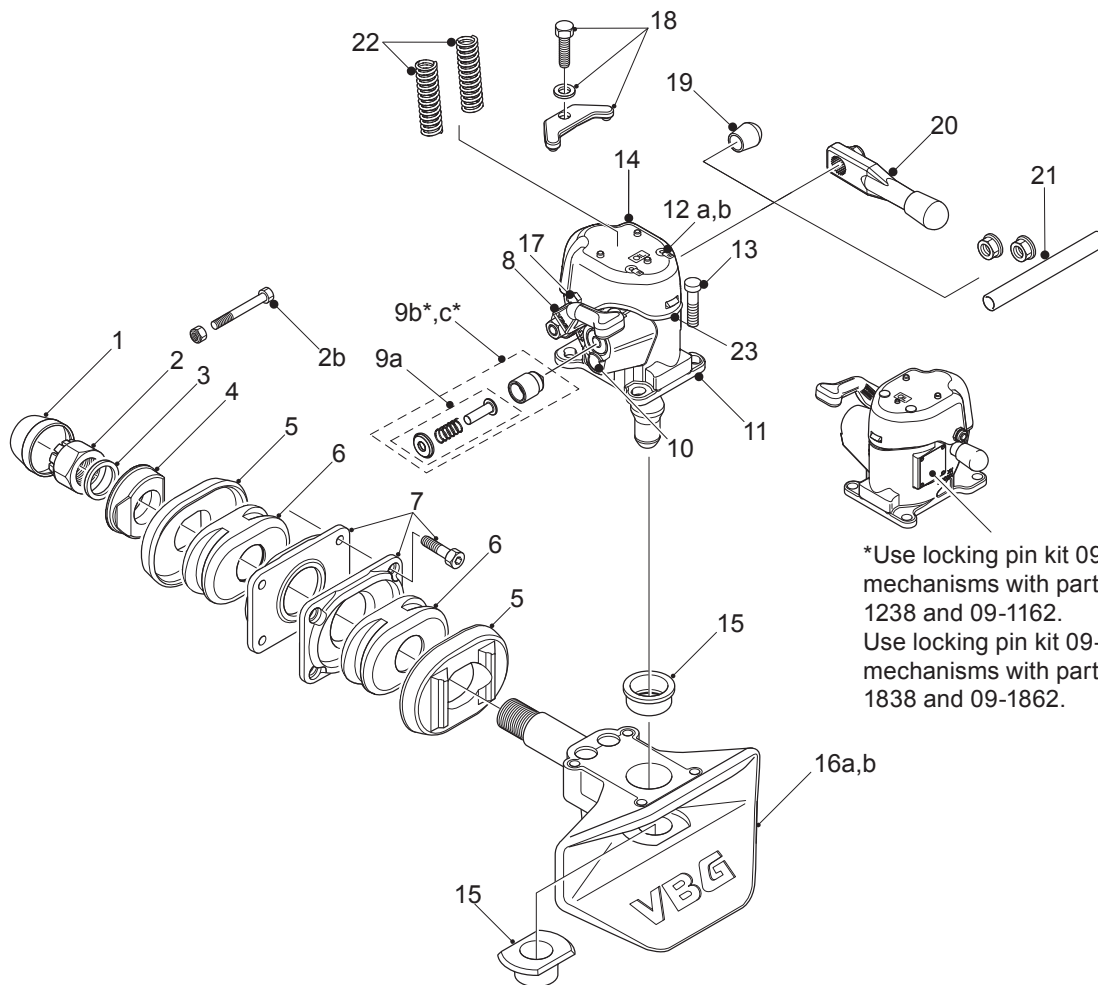




\*Use locking pin kit 09-122800 for mechanisms with part numbers 09-1179 and 09-1163.  
Use locking pin kit 09-181300 for mechanisms with part numbers 09-1879, 09-1865 and 09-1863.

Pos	Part No.	Description	Pos	Part No.	Description
1	18-000400	Nut cover	14	09-123100	Mechanism cover kit
2	18-000300	Castellated nut incl. Pos 2b	15	09-123600	Bolt kit for mechanism cover
2b	09-125000	Lock kit, castle nut	16	18-001900	Bushing kit VBG 820/821
3	18-015700	Washer 6 mm	17	18-004000	Bushing kit VBG 8500
4	18-076600	Washer	18	08-016600	Coupling jaw VBG 8500 incl. castellated nut and Pos. 1, 17
5	18-003800	Bearing plate kit	19	09-123700	Cap
6	18-003500	Rubber block kit incl. Pos 2b	20	09-123300	Handle right
7	18-075300	Beam plates incl. screw	21	09-126400	Sleeve kit for handle 67 mm (for moving handle from left to right side)
8	09-123200	Handle left	22	09-126500	Closing spring kit
9a	09-126300	Signal pin kit	23	09-177600	Sealing kit, cover
9b*	09-122800	Indicator & locking device			
9c*	09-181300	Indicator & locking device			
10	09-127100	Plastic plug			
11	09-121700	Mechanism VBG 8500 incl. Pos 13, 17			
12a	09-177500	Grease plug, 10-pack			
12b	09-127000	Grease plug, 3-pack			
13	09-119300	Bolt kit			

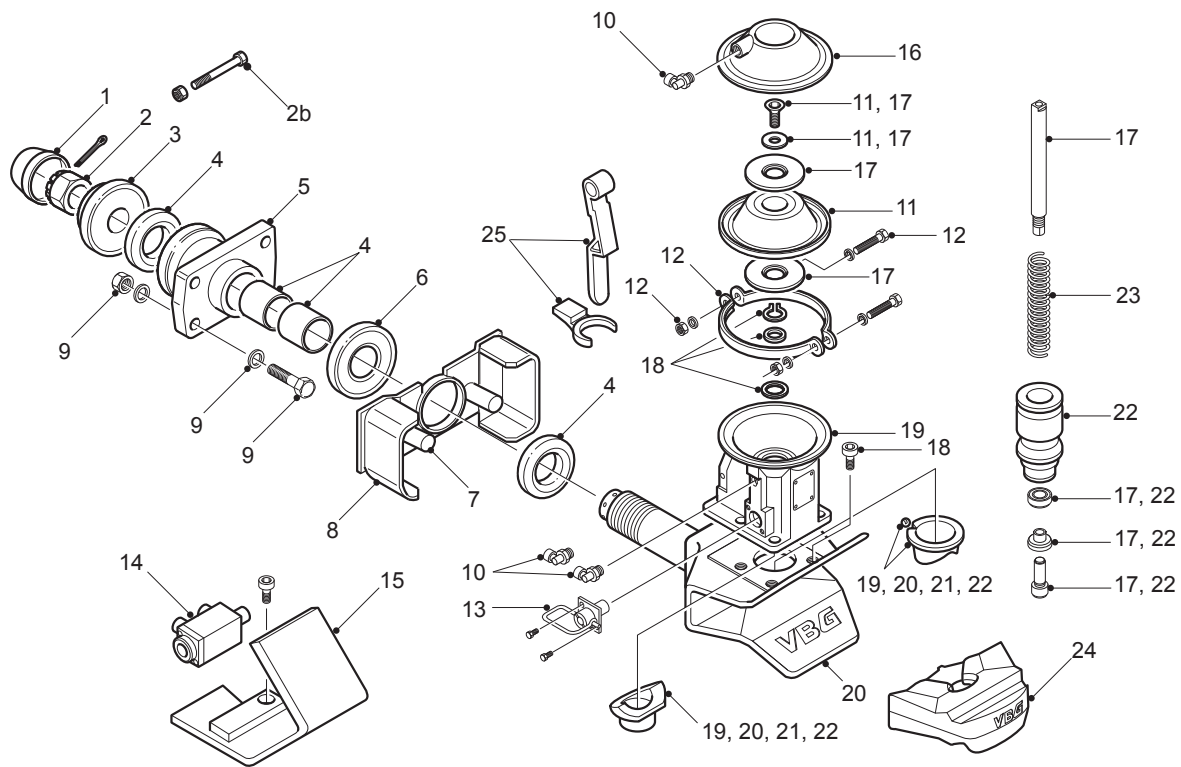
**09-121800** Conversion kit 3.0, pos 11 and pos 11 (p. 17)  
**09-121900** Conversion kit 3.0, pos 11 and pos 11 (p. 17),  
incl Sensor complete (pos 26 p. 17)



\*Use locking pin kit 09-122800 for mechanisms with part numbers 09-1238 and 09-1162.  
Use locking pin kit 09-181300 for mechanisms with part numbers 09-1838 and 09-1862.

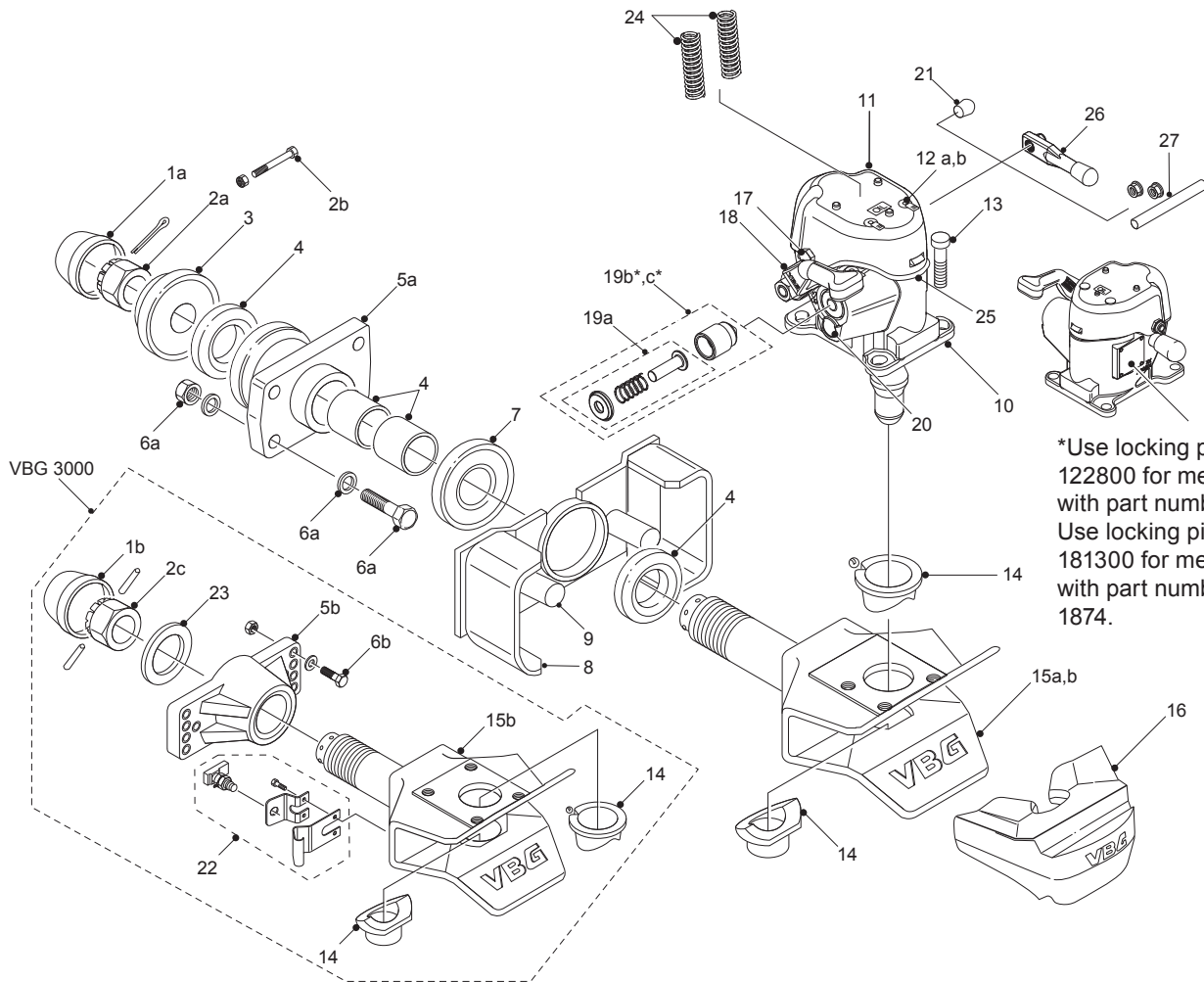
Pos	Part No.	Description	Pos	Part No.	Description
1	18-000400	Nut cover	12a	09-177500	Grease plug, 10-pack
2	18-000300	Castellated nut incl. Pos 2b	12b	09-127000	Grease plug, 3-pack
2b	09-125000	Lock kit, castle nut	13	09-119300	Bolt kit
3	18-015700	Washer 6 mm	14	09-123100	Mechanism cover kit
4	18-076600	Washer	15	18-002300	Bushing kit
5	18-003800	Bearing plate kit	16a	08-021100	Coupling jaw G160 incl. castellated nut and Pos 1 and 15.
6	18-003500	Rubber block kit incl. Pos 2b	16b	08-021200	Coupling jaw G140 incl. castellated nut and Pos 1 and 15.
7	18-075300	Beam plates incl. screw	17	09-123600	Bolt kit for mechanism cover
8	09-123200	Handle left	18	18-002400	Bracket
9a	09-126300	Signal pin kit	19	09-123700	Cap
9b*	09-122800	Indicator & locking device	20	09-123300	Handle right
9c*	09-181300	Indicator & locking device	21	09-126400	Sleeve kit for handle 67 mm (for moving handle from left to right side)
10	09-127100	Plastic plug	22	09-126500	Closing spring kit
11	09-122000	Mechanism VBG 8040 incl. Pos 13, 15	23	09-177600	Sealing kit, cover

**09-122100** Conversion kit 3.0, pos 11 and pos 11 (p. 17)  
**09-122200** Conversion kit 3.0, pos 11, and pos 11 (p. 17)  
incl Sensor complete (pos 26 sid 17)



Pos	Part No.	Description	Pos	Part No.	Description
1	18-000400	Nut cover	13	18-021400	Manual indicator and locking device
2	18-000300	Castellated nut incl. Pos 2b	14	07-082000	Air Cover pin
2b	09-125000	Lock kit, castle nut	15	07-002400	Protective plate incl. screw
3	18-001100	Bearing plate, inner	16	09-011800	Cover
4	09-017800	Rubber bearing kit	17	09-019100	Piston rod kit
5	05-067400	Drawbeam sleeve incl. bushing	18	18-003400	Screw kit MC6S 12x30
6	18-001000	Bearing plate, outer	19	09-027100	Mechanism incl. bushings
7	18-003200	Rubber damper kit	20	09-019900	Coupling jaw with bushings
8	18-068500	Jack-knifing stop incl. Rubber damper	21	18-000700	Bushing kit
9	05-063400	Bolt kit, Drawbeam sleeve	22	09-010000	Renovation kit
10	07-106800	Nipple kit, torsion device (Ø 6, Ø 8)	23	37-045800	Compression spring
11	09-011700	Membrane kit	24	09-013800	Protective Insert
12	09-027300	Clamp ring kit	25	18-000600	Repair kit for release arm

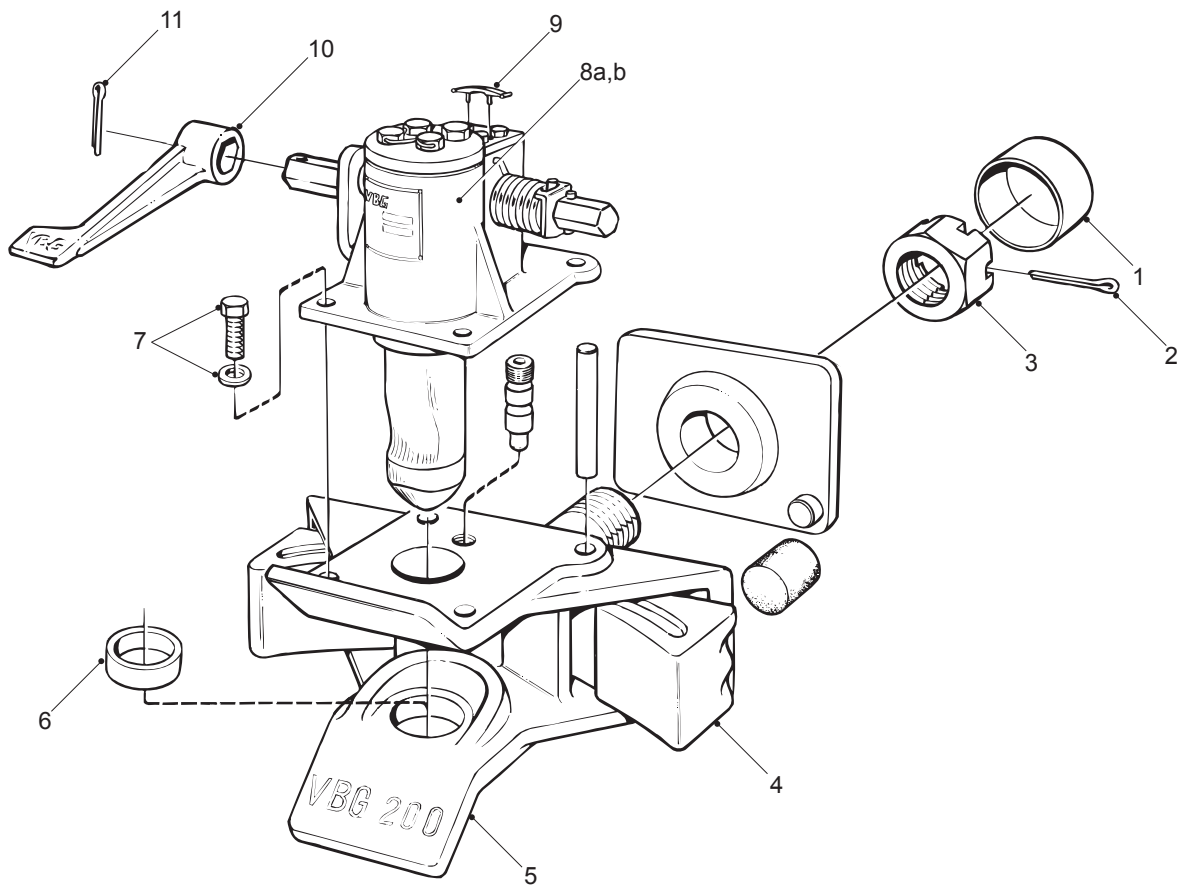
# VBG 620/623/627/3000



Pos	Part No.	Description	Pos	Part No.	Description
1a	18-000400	Nut cover 620/623/627	13	09-119300	Bolt kit
1b	18-001300	Nut cover 3000	14	18-000200	Bushing kit
2a	18-000300	Castellated nut 620/623/627 incl. Pos 2b	15a	**	Coupling jaw VBG 620/623/627
2c	18-001200	Castellated nut 3000	15b	**	Coupling jaw 3000
2b	09-125000	Lock kit, castle nut	16	09-013700	Protective Insert
3	18-001100	Bearing plate, inner	17	09-123600	Bolt kit for mechanism cover
4	09-017800	Rubber bearing kit	18	09-123200	Handle left
5a	05-067400	Drawbeam sleeve 620/623/627, incl. Pos. 4	19a	09-126300	Signal pin kit
5b	**	Drawbeam sleeve 3000	19b*	09-122800	Indicator & locking device
6a	05-063400	Bolt kit 620/623/627	19c*	09-181300	Indicator & locking device
6b	18-001400	Bolt kit 3000	20	09-127100	Plastic plug
7	18-001000	Bearing plate, outer	21	09-123700	Cap
8	18-068500	Jack-knifing stop, incl. Pos 9	22	18-000900	Jackknife alarm kit
9	18-003200	Rubber damper kit	23	18-010700	Washer
10	09-120500	Mechanism VBG 620/623/627/3000 incl. Pos 13, 14	24	09-126500	Closing spring kit
11	09-123100	Mechanism cover kit	25	09-177600	Sealing kit, cover
12a	09-177500	Grease plug, 10-pack	26	09-123300	Handle right
12b	09-127000	Grease plug, 3-pack	27	09-126400	Sleeve kit for handle 67 mm (for moving handle from left to right side)

**09-120600** Conversion kit 3.0, pos 10 (11 p. 17)  
**09-120700** Conversion kit 3.0, pos 10 (11 p. 17)  
 incl Position sensor (pos 26 p. 17)

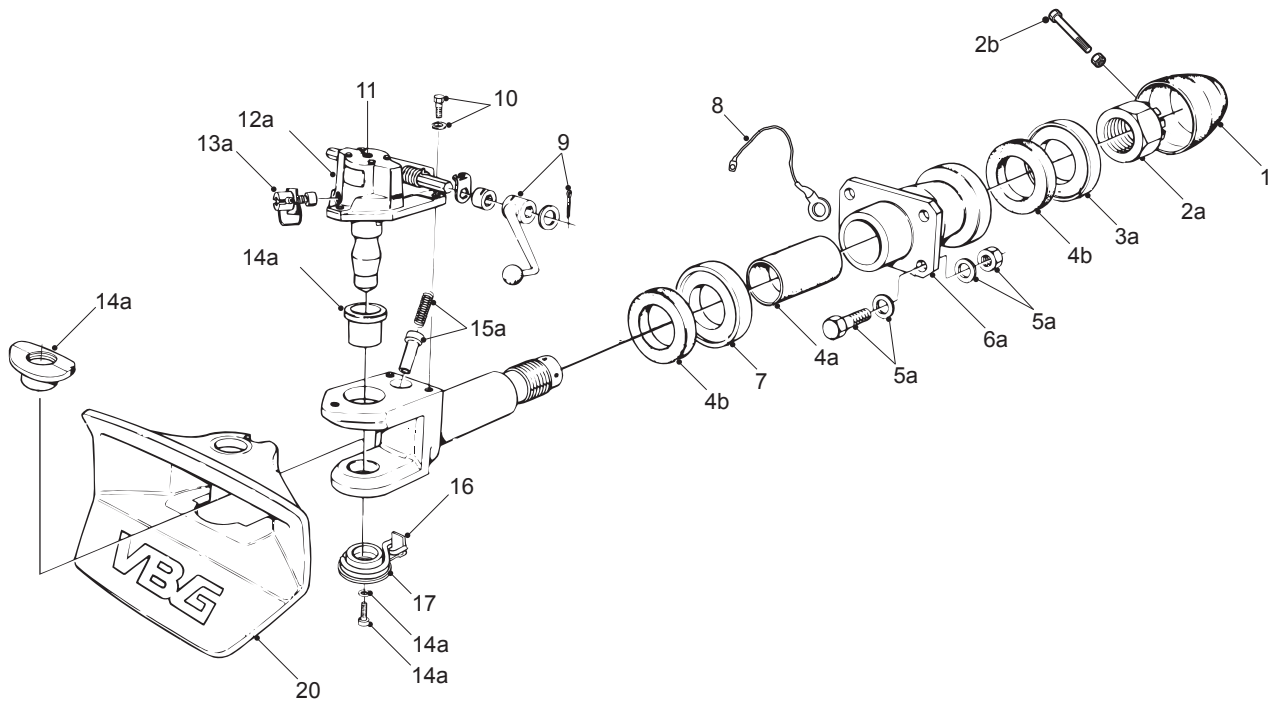
\*\* Not available as spare part.



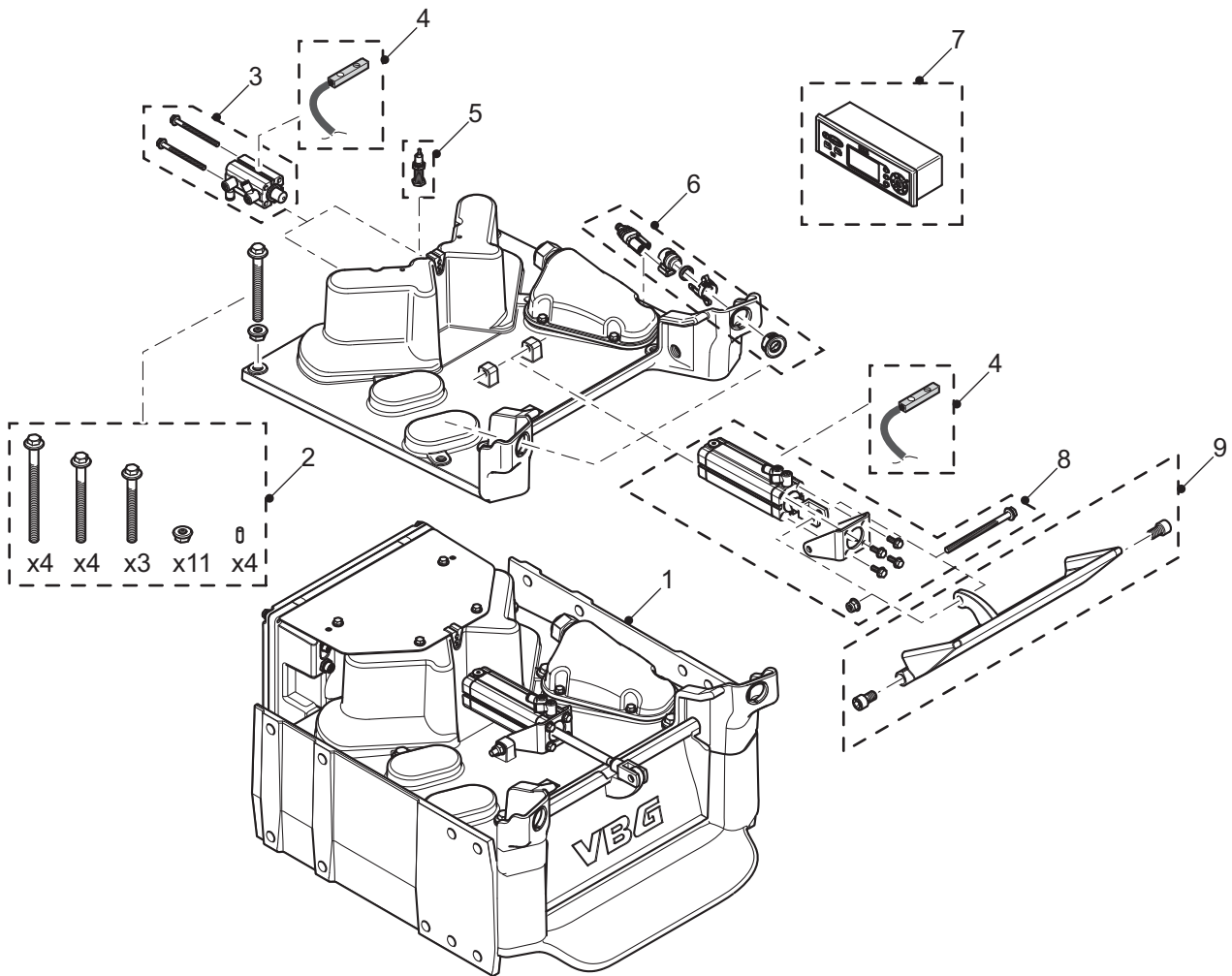
Pos	Part No.	Description	Pos	Part No.	Description
1	*	Nut cover	7	18-001600	Bolt kit for mechanism
2	*	Split pin	8a	05-029300	Mechanism incl. bushing
3	36-012000	Castellated nut 2"	8b	05-028800	Mechanism incl. bushing and signal and lock pin
4	*	Steering block	8c	06-092000	Signal and lock pin
5	*	Coupling jaw incl. steering blocks, nut	9	05-023500	Plastic plug
6	05-026200	Lower lip bushing	10	18-000100	Handle incl. Pos. 11

\* Not available as spare part.

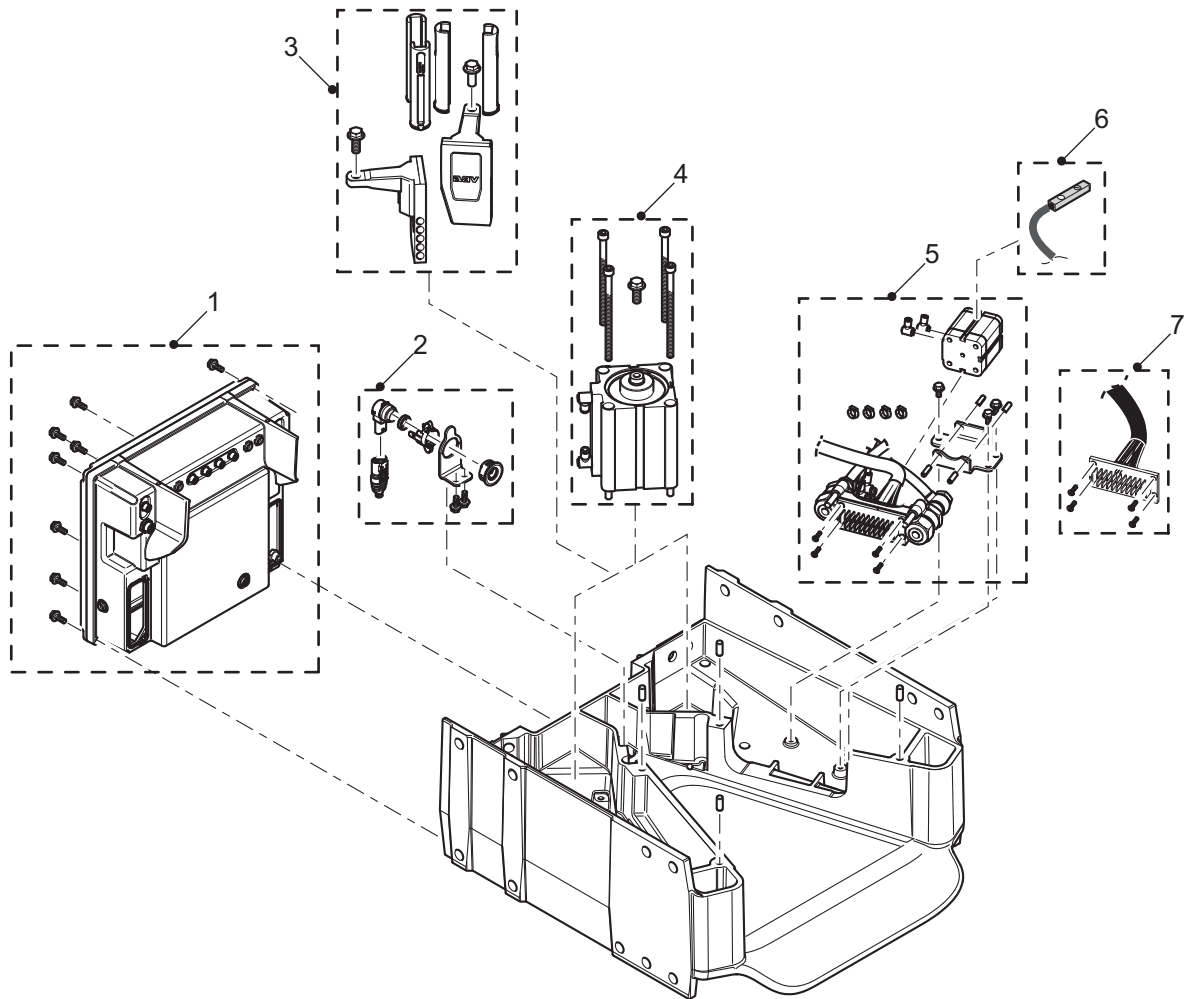
# VBG 1050



Pos	Part No.	Description	Pos	Part No.	Description
1	18-000400	Nut cover	12a	09-023900	Mechanism 1050 incl. Pos. 14a
2a	18-000300	Castellated nut incl. Pos 2b	13a	18-021400	Locking device 1050
2b	09-125000	Lock kit, castle nut	14a	18-001500	Bushing kit 1050
3a	18-001100	Bearing plate 1050, inner	15a	18-001800	Lock bolt repair kit 1050
4a,b	09-017800	Rubber bearing kit 1050	16	18-020700	Spring bracket 1050
5a	05-063400	Bolt kit 1050	17	18-020800	Torsion spring 1050
6a	05-067400	Drawbeam sleeve 1050 incl. Pos 4a	20	09-020300	Guiding funnel 1050
7	18-001000	Bearing plate 1050, outer			
8	18-014300	Earth strip 1050			
9	18-001700	Handle incl. split pin			
10	18-001600	Bolt kit for Mechanism			
11	18-003700	Plastic cap			

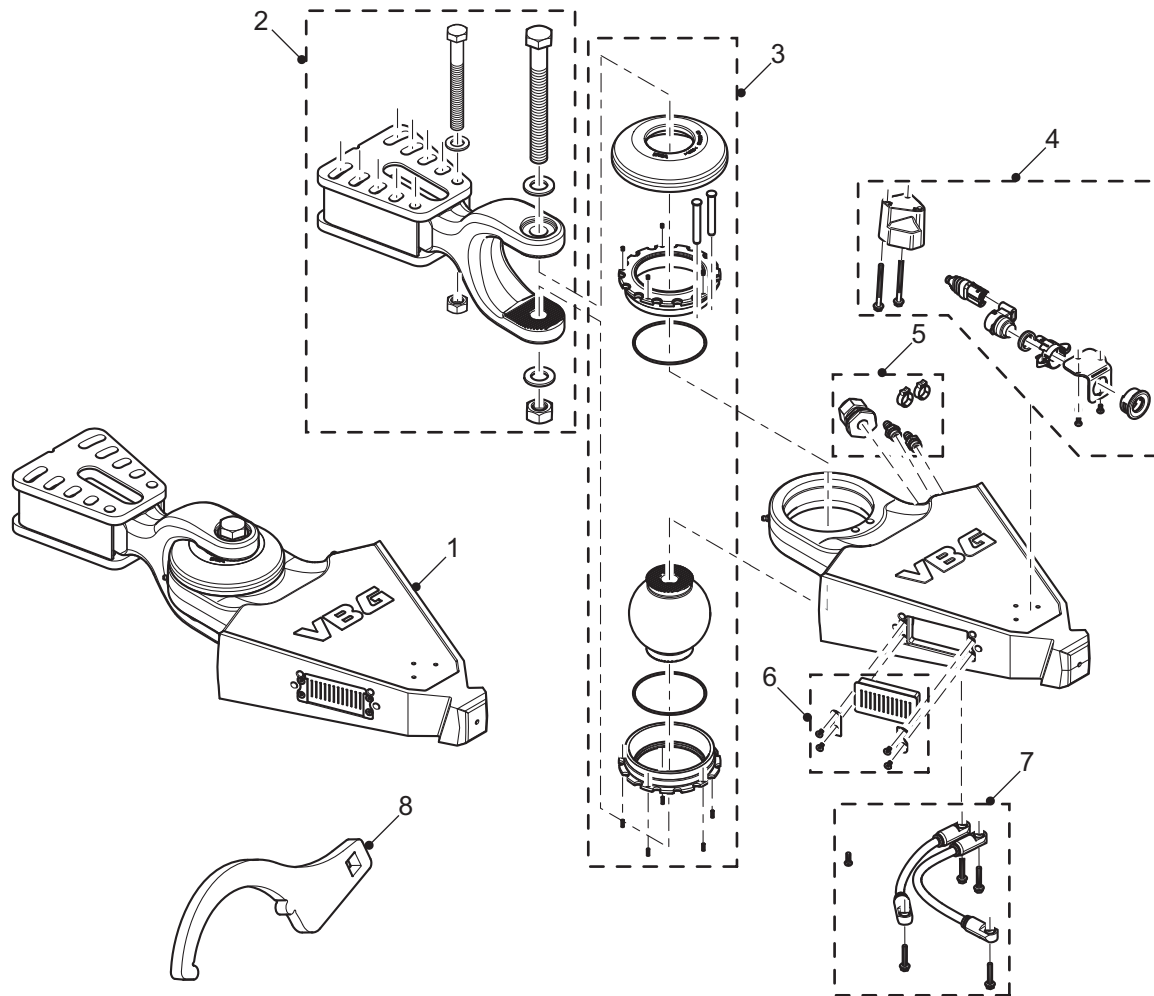


Pos	Part No.	Description	Pos	Part No.	Description
1	*	Coupling, complete	6	08-102400	USS kit truck, incl. pos 2 page 16
2	08-100600	Bolt kit	7	08-102300	Control panel
3	08-101400	Lock cylinder, kit	8	08-101300	Panel cylinder kit
4	08-102600	Magnetic sensor	9	08-100500	Panel kit
5	08-102500	Inductive sensor			



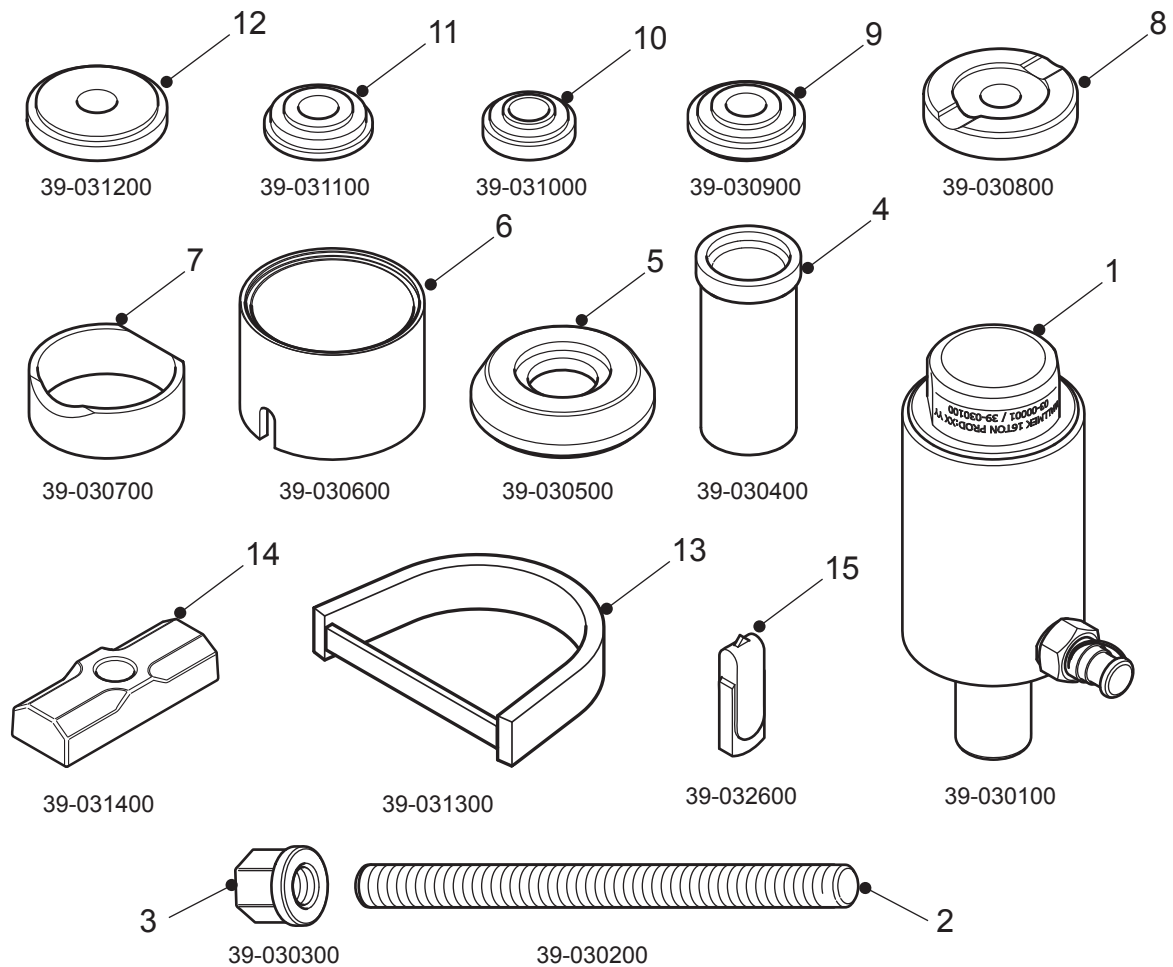
Pos	Part No.	Description	Pos	Part No.	Description
1	08-102700	Valvebox	5	08-100100	Power-air unit
2	08-102400	USS kit truck, incl. pos 6 page 15	6	08-102600	Magnetic sensor
3	08-100000	Locking key kit	7	08-101900	Power switch 22, kit truck
4	08-101100	Locking key cylinder kit			





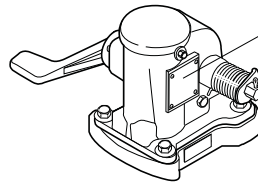
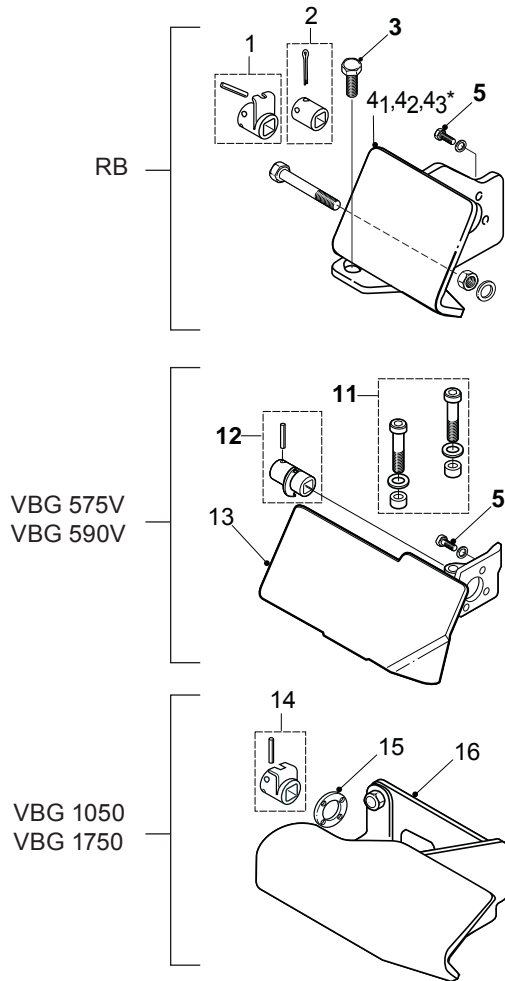
Pos	Part No.	Description	Pos	Part No.	Description
1	*	Drawbar head, complete	5	08-101000	Air and electrical connection kit
2	08-100700	Tow fork	6	08-102000	Power switch 22, kit trailer
3	08-100200	Renovation kit, ball	7	08-101500	Brake line kit
4	08-101800	USS kit trailer	8	08-100400	Hook spanner

# Service tools

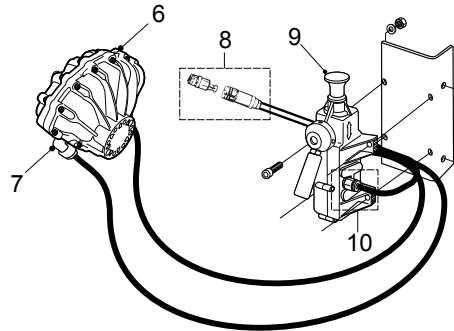


Pos	Part No.	Description	Pos	Part No.	Description
1	39-030100	Hydraulic cylinder			
2	39-030200	Threaded rod M18			
3	39-030300	Nut M18			
4	39-030400	Guide sleeve			
5	39-030500	Guide plate			
6	39-030600	Spacer tube			
7	39-030700	Guide sleeve			
8	39-030800	Guide plate			
9	39-030900	Guide plate			
10	39-031000	Guide plate			
11	39-031100	Guide plate			
12	39-031200	Guide plate			
13	39-031300	Counterbalance clamp			
14	39-031400	Counterbalance plate			
15	39-032600	USB memory stick			

# Power actuator version 1.0



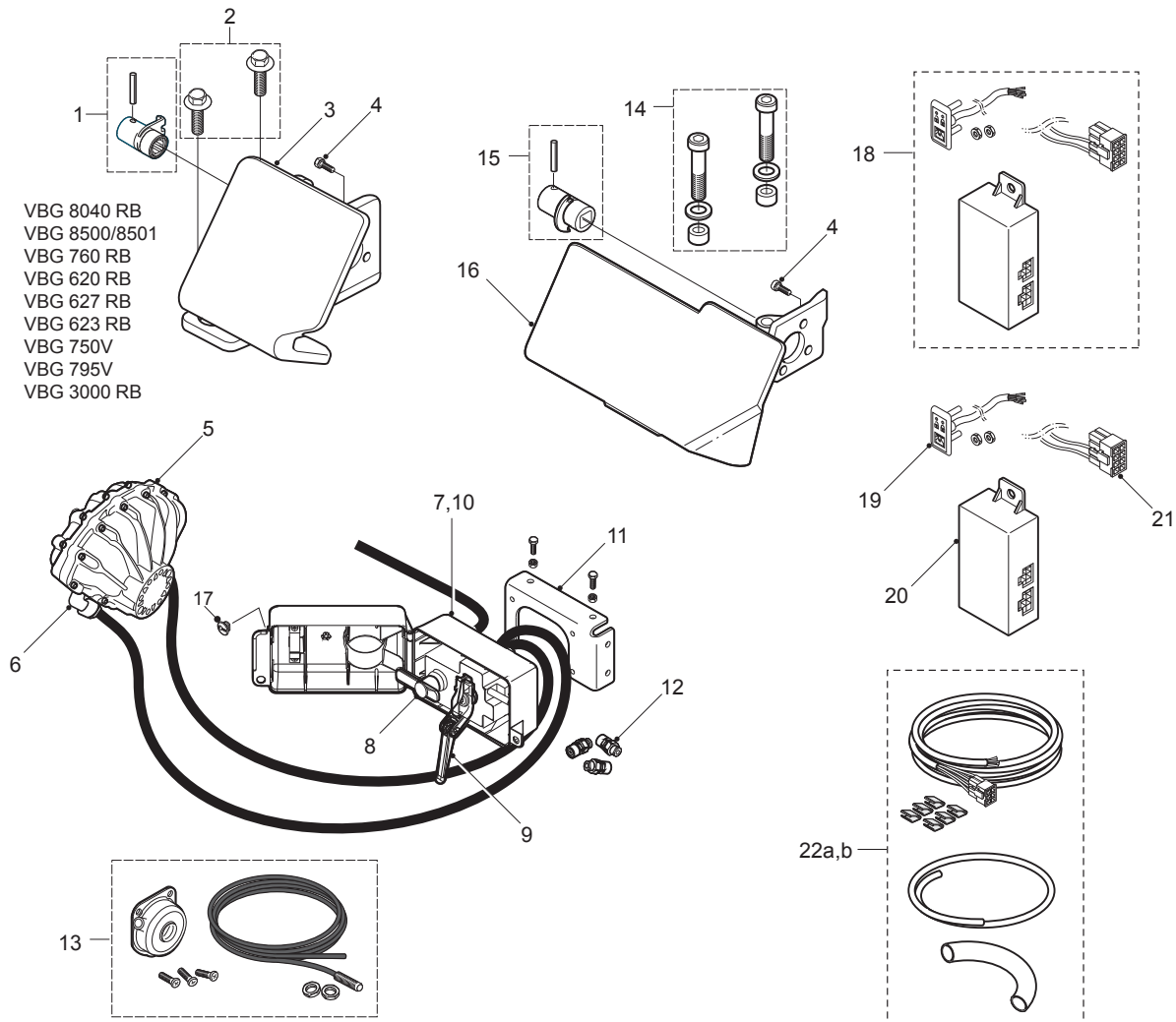
\* Type plate on the mechanism is marked with manufacture year and week yy/ww. For mechanisms produced before 00/01, use bracket 4<sub>2</sub> or 4<sub>3</sub>.



The items in bold refer to Version 2.0 spare parts that have been replaced with Version 1.0 spare parts.

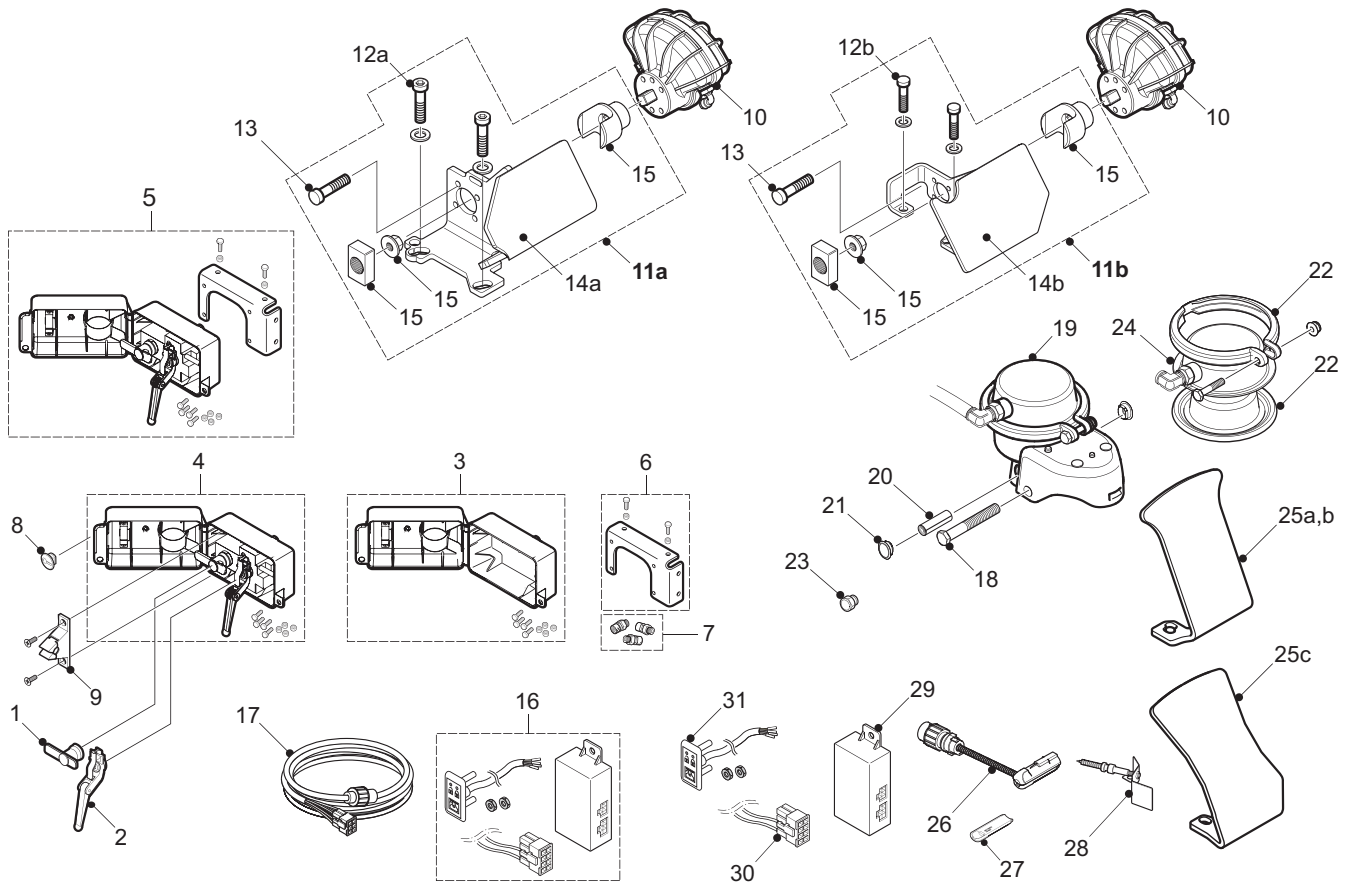
Pos	Part No.	Description	Pos	Part No.	Description
1	07-109600	Adapter kit for drawbar eye 190	7	07-106800	Nipple kit for actuator
2	07-109700	Adapter kit	8	07-109800	Snap-on connector
3	07-107300	Bolt kit for bracket	9	07-108000	Control box
41	07-106500	Bracket RB	9	07-106800	Nipple kit for actuator
	07-107100	Adapter kit	10	07-109900	Nipple kit
	07-107300	Bolt kit for bracket	11	07-108700	Bolt kit
	07-107200	Bolt kit	12	07-108600	Adapter kit
42	07-024100	Bracket R	13	09-063600	Bracket
43	07-024200	Bracket L	14	07-110000	Adapter kit
5	07-107200	Bolt kit	15	07-110100	Washer
6	07-106900	Actuator	16	07-037500	Bracket
	07-106800	Nipple kit for actuator			
	07-107200	Bolt kit			

# Power actuator version 2.0



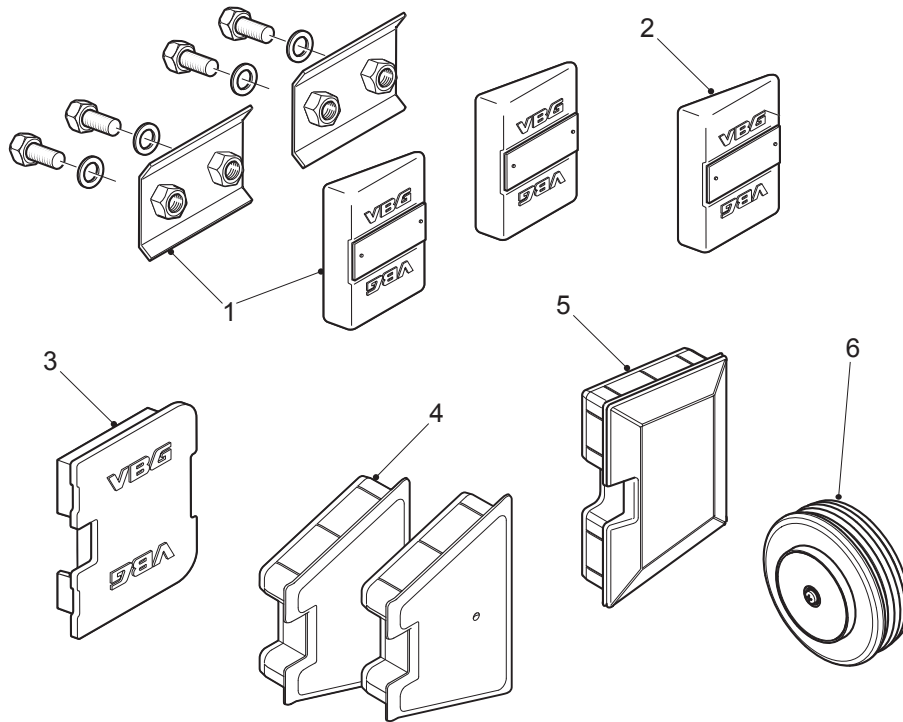
Pos	Part No.	Description	Pos	Part No.	Description
1	07-107100	Adapter	18	09-099200	Indicating kit
2	07-107300	Bolt kit for bracket	19	09-099300	Indicating panel incl. cable and nuts
3	07-106500	Bracket for actuator	20	09-099400	Electronic unit
4	07-107200	Bolt kit	21	09-099500	Connector with clip
5	07-106900	Actuator	22a	09-099600	Cable 10 m
6	07-106800	Nipple kit for actuator (Ø 6, Ø 8)	22b	09-099700	Cable 15 m
7	07-107900	Control box, complete			
8	07-107600	Handle			
9	07-107700	Handle			
10	07-107800	Control box (without valve)			
11	07-107400	Bracket control box			
12	07-107500	Nipple kit for control box			
13	09-069900	Remote indicator kit			
14	07-108700	Bolt kit VBG 575V/590V			
15	07-108600	Adapter VBG 575V/590V			
16	09-063600	Bracket VBG 575V/590V			
17	07-108200	Plastic cap			

# Power actuator version 3.0



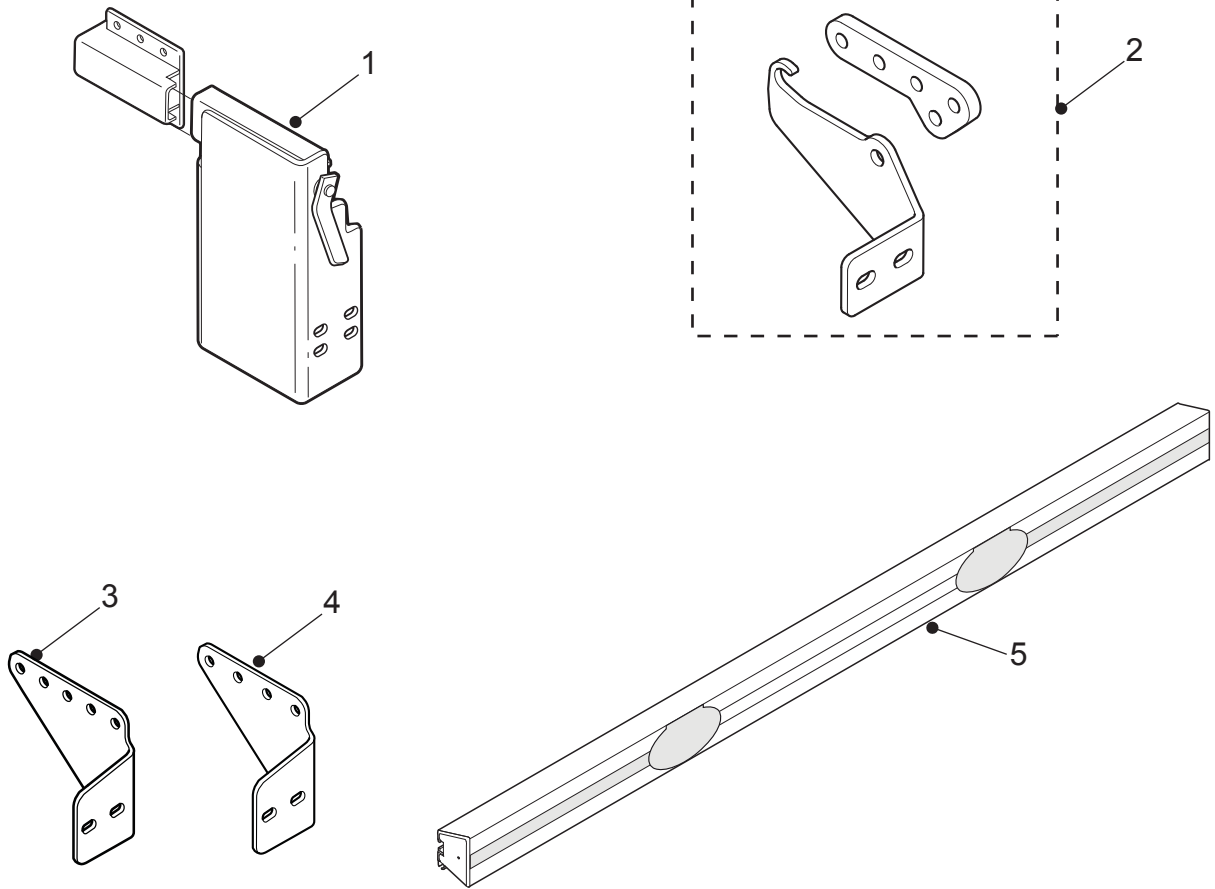
Pos	Part No.	Description	Pos	Part No.	Description
1	07-107600	Handle	17	09-124200	Cabling, 12 m
2	07-107700	Handle	18	09-123600	Screw kit for mechanism cover
3	07-107800	Valve box without valve	19	09-124000	AM unit, incl. pos. 10
4	07-107900	Valve box, complete	20	09-122300	Shaft for AM unit incl. plastic plug (x2), pos. 42
5	07-108000	Valve box complete, incl. bracket kit	21	09-122400	Plastic plug for shaft, 10-pack
6	07-107400	Bracket	22	09-068300	Diaphragm kit
7	07-107500	Nipple kit	23	07-108400	Plug for valve box
8	07-108200	Plug	24	09-055700	Cover AM
9	07-104400	Snap-lock	25a	09-124973	Protective bracket kit for 750V/795V AM, 760 AM, 8500 AM
10	07-106900	Torsion device kit	25b	09-124773	Protective bracket kit for 8040 AM
11a	09-119400	Bracket kit 750V/795V/ 795VR/760/8500/8040	25c	09-124873	Protective bracket 750V AM
11b	09-121500	Bracket kit 575V/590V/590VR	26	09-119800	Position sensor, complete kit
12a	09-122500	Screw kit for bracket 14a	27	09-123000	Locking key, 10-pack
12b	09-122600	Screw kit for bracket 14b	28	09-036500	Jackknife alarm kit, buzzer included in pos. 29
13	07-107200	Screw kit for torsion device	29	09-099400	Electronic unit
14a	09-113573	Bracket 750V/795V/795VR/760/8500/8040	30	09-099500	Connector with clip
14b	09-114073	Bracket 575V/590V/590VR	31	09-099300	Indicating panel incl. cable and nuts
15	09-122700	Adapter kit			
16	09-099200	Indicating kit			

# Underrun protection



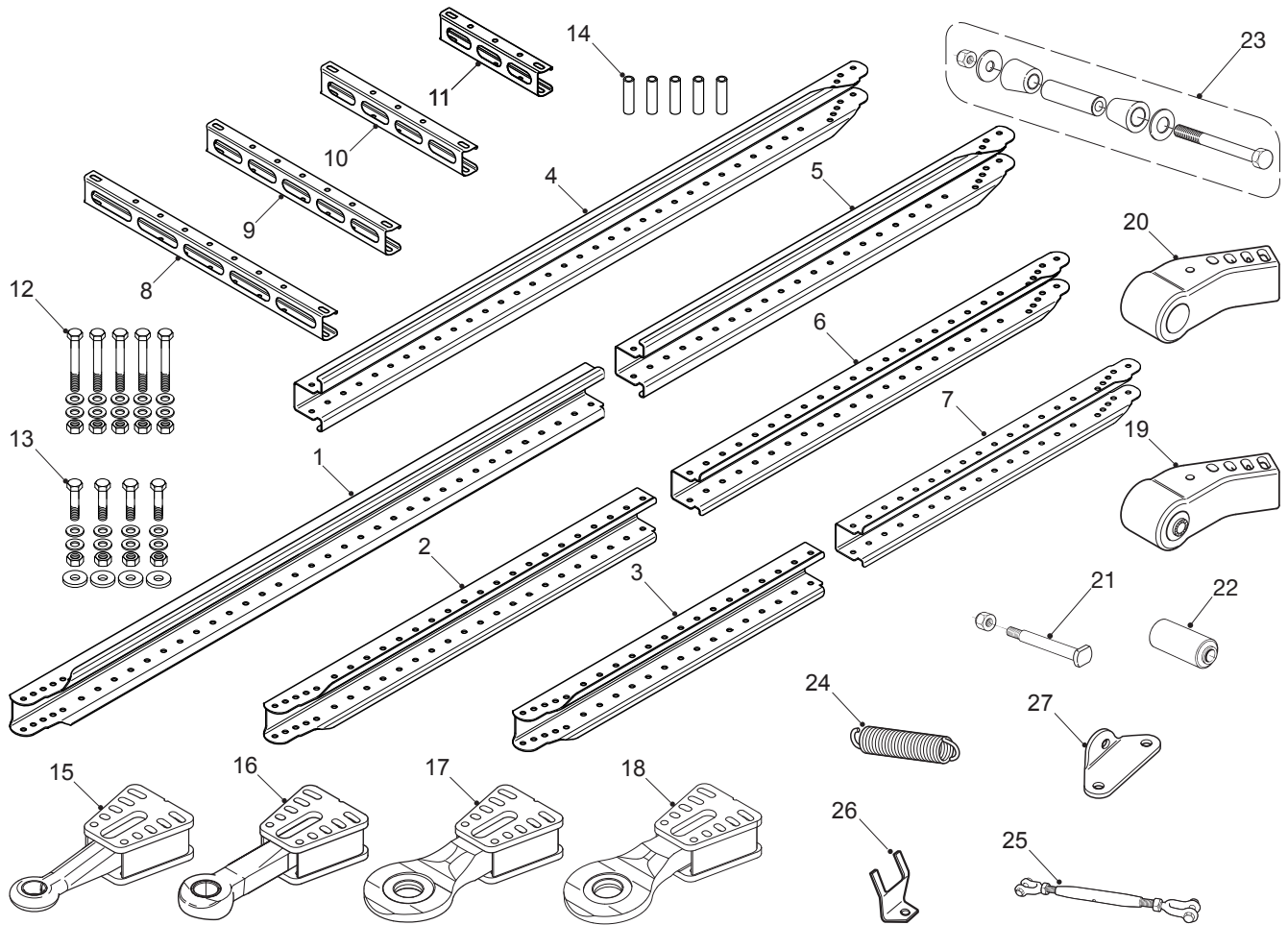
Pos	Part No.	Description	Pos	Part No.	Description
1	21-043100	Bolt kit for steel beam incl. end stop	4	18-004100	End stop for aluminium beam UHAP 1.0, kit
2	18-090900	End stop for steel beam	5	21-173600	End stop for aluminium beam UHAP 2.0
3	21-092000	End stop for aluminium beam 919	6	21-181300	End stop for round steel beam

# Underrun protection



Pos	Part No.	Description	Pos	Part No.	Description
1	21-107478	Endplate EUR			
2	21-167578	Endplate EUR-2			
3	21-074070	Endplate EUS, 50-hole spacing			
4	21-083170	Endplate EUS, 60-hole spacing			
5	21-164400	Aluminium beam UHAP-1, length 2400 mm			
	21-164500	Aluminium beam UHAP-1 with re ex, length 2400 mm			
	21-164600	Aluminium beam UHAP-1 with re ex, length 1900 mm			

# Multi XF Drawbar

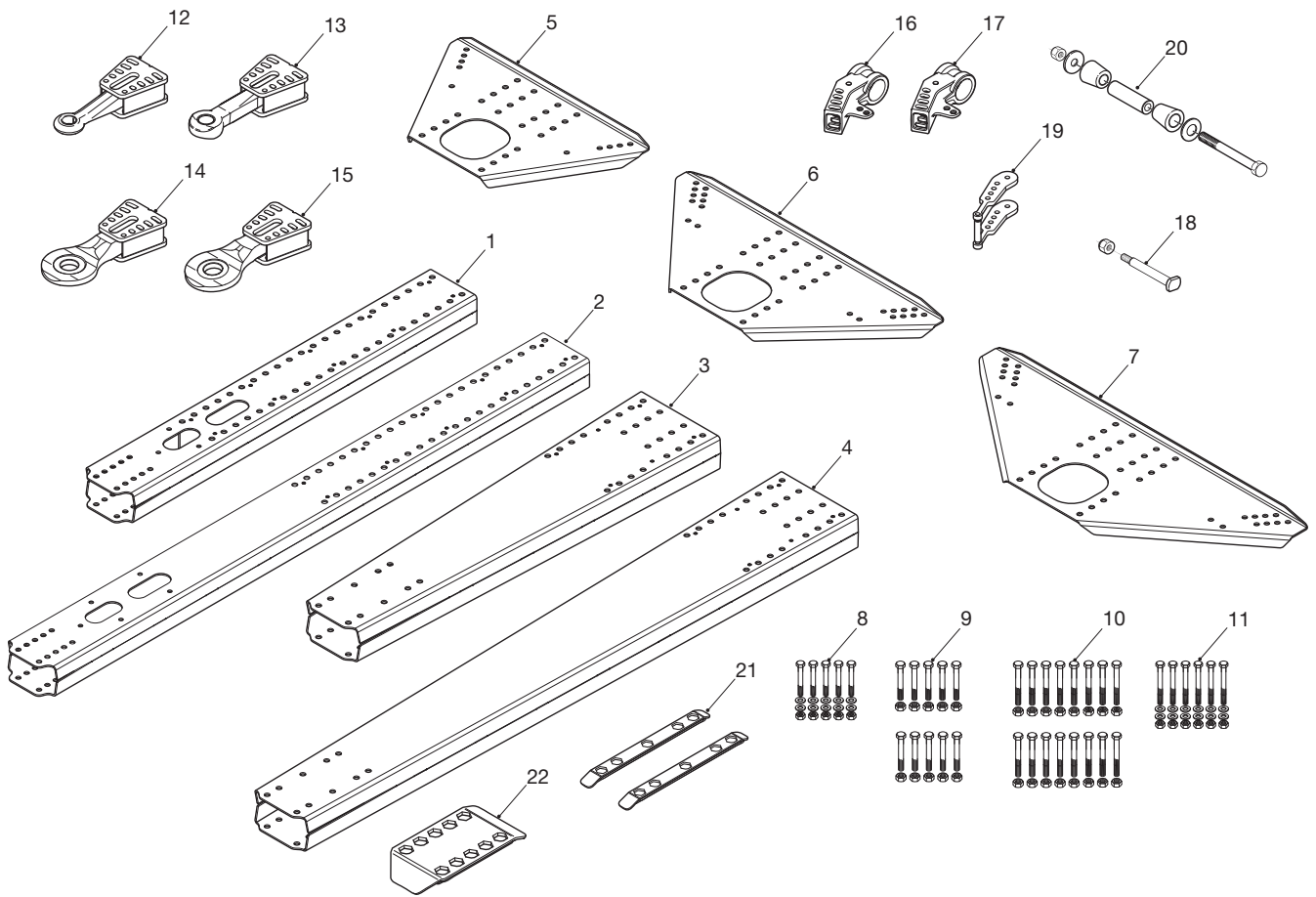


Pos	Part No.	Description	Pos	Part No.	Description
1	25-073678	Leg front 4.3 stamped no 25-0736 or 25-0704	10	25-074178	Crossbar S=588 mm
2	25-073778	Leg front 2.8 stamped no 25-0737 or 25-0710	11	25-074278	Crossbar XS=417 mm
3	25-073878	Leg front 2.2 stamped no 25-0738 or 25-0721	12	35-045600	Bolt kit M14x130 (5 pcs.)
4	25-071278	Leg rear 4.3 stamped no 25-0712 or 25-0705	13	35-048200	Bolt kit crossbar (4 pcs.)
5	25-072478	Leg rear 3.6 stamped no 25-0724 or 25-0714	14	25-072800	Spacer tube kit (5 pcs.)
6	25-071378	Leg rear 2.8 stamped no 25-0713 or 25-0711	15	25-073078	Eye DIN 40
7	25-072378	Leg rear 2.2 stamped no 25-0723 or 25-0722	16	25-073178	Eye ISO 50
8	25-073978	Crossbar L=987 mm	17	25-073278	Eye VBG 57
9	25-074078	Crossbar M=738 mm	18	25-073378	Eye 57, angled 5
			19	25-073478	Rear bracket Vibra
			20	25-073578	Rear bracket Briab
			21	18-057800	Pivot bolt
			22	26-050700	Vibra block 32
			23	26-058600	Installation kit Briab
			24	26-076000	Balance spring
			25	26-071100	Rigging screw
			26	26-030100	Power plug bracket
			27	25-054978	Spring retainer

NOTE! When replacing parts the fasteners should also be replaced. The sidemembers should be replaced as complete sides, i.e if the front side sidemember is replaced the rear sidemember on the same side should also be replaced.

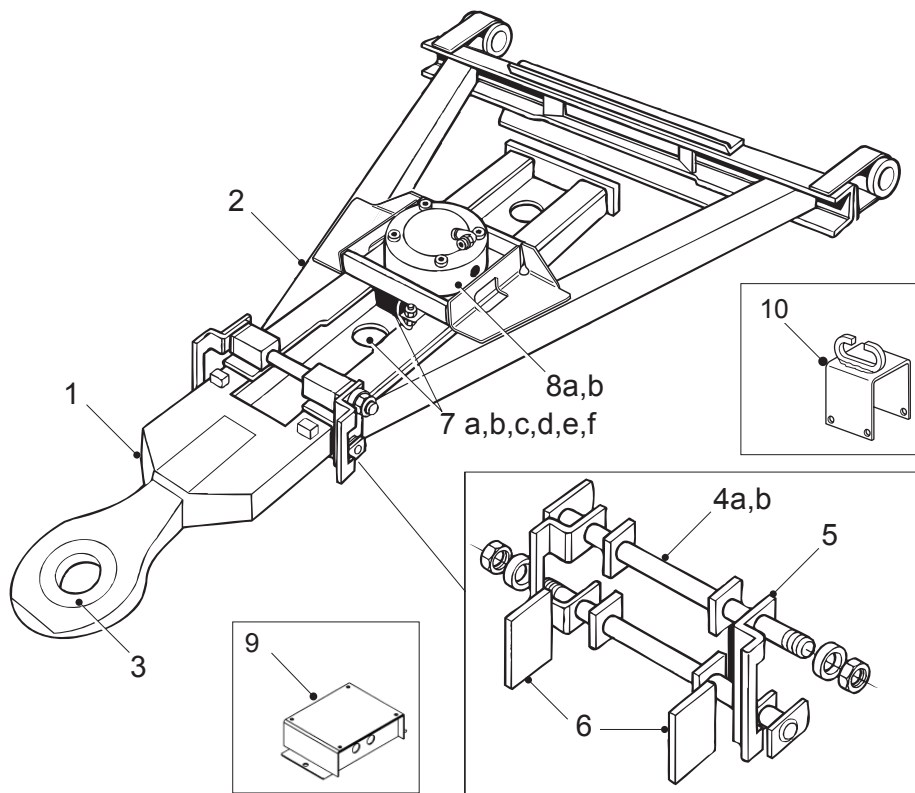


# Optimal Drawbar



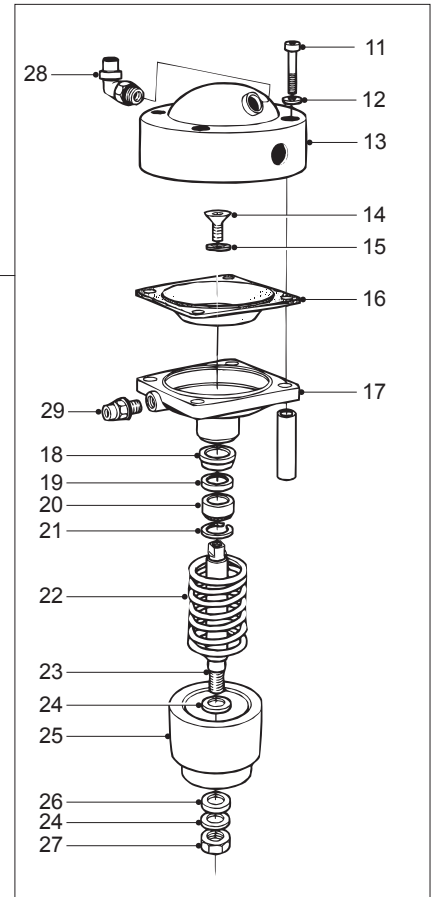
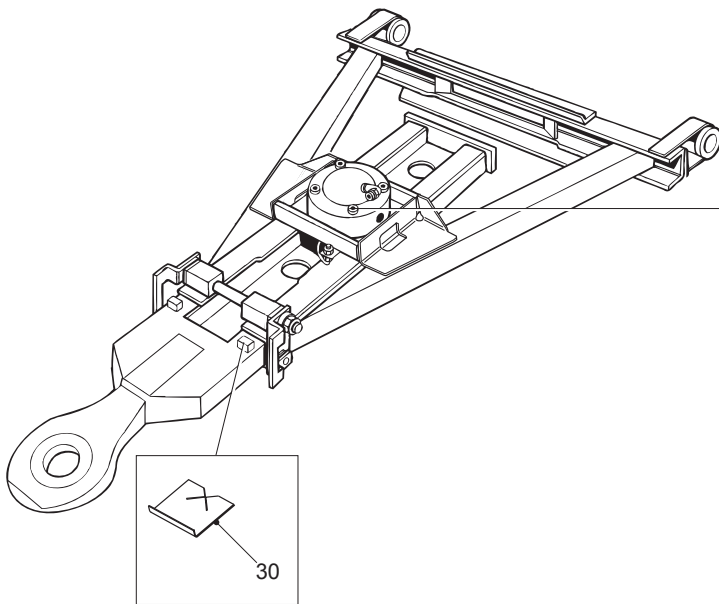
Pos	Part No.	Description	Pos	Part No.	Description
1	25-087178	Front part short	8	35-045600	Bolt kit M14x130 (5 pcs.)
2	25-087278	Front part long	9	35-076500	Bultsats M16x140 (10 pcs.)
3	25-087378	Middle part short	10	35-050700	Bultsats M16x160 (16 pcs.)
4	25-087478	Middle part long	11	35-050800	Bultsats M14x160 (6 pcs.)
5	25-087578	Rear part 700	12	25-073078	Eye DIN 40
6	25-087678	Rear part 900/980	13	25-073178	Eye ISO 50
7	25-087778	Rear part 1100/1200	14	25-073278	Eye VBG 57
			15	25-073378	Eye 57, angled 5
			16	25-073478	Rear bracket Vibra
			17	25-073578	Rear bracket Briab
			18	18-057800	Pivot bolt
			19	25-088378	Spacing kit hinge bracket
			20	26-058600	Installation kit Briab
			21	25-108400	Rear sliding bracket accessory kit incl. pos. 9
			22	25-108500	Front sliding bracket accessory kit incl. 2 x pos. 8

# Automatic Drawbar



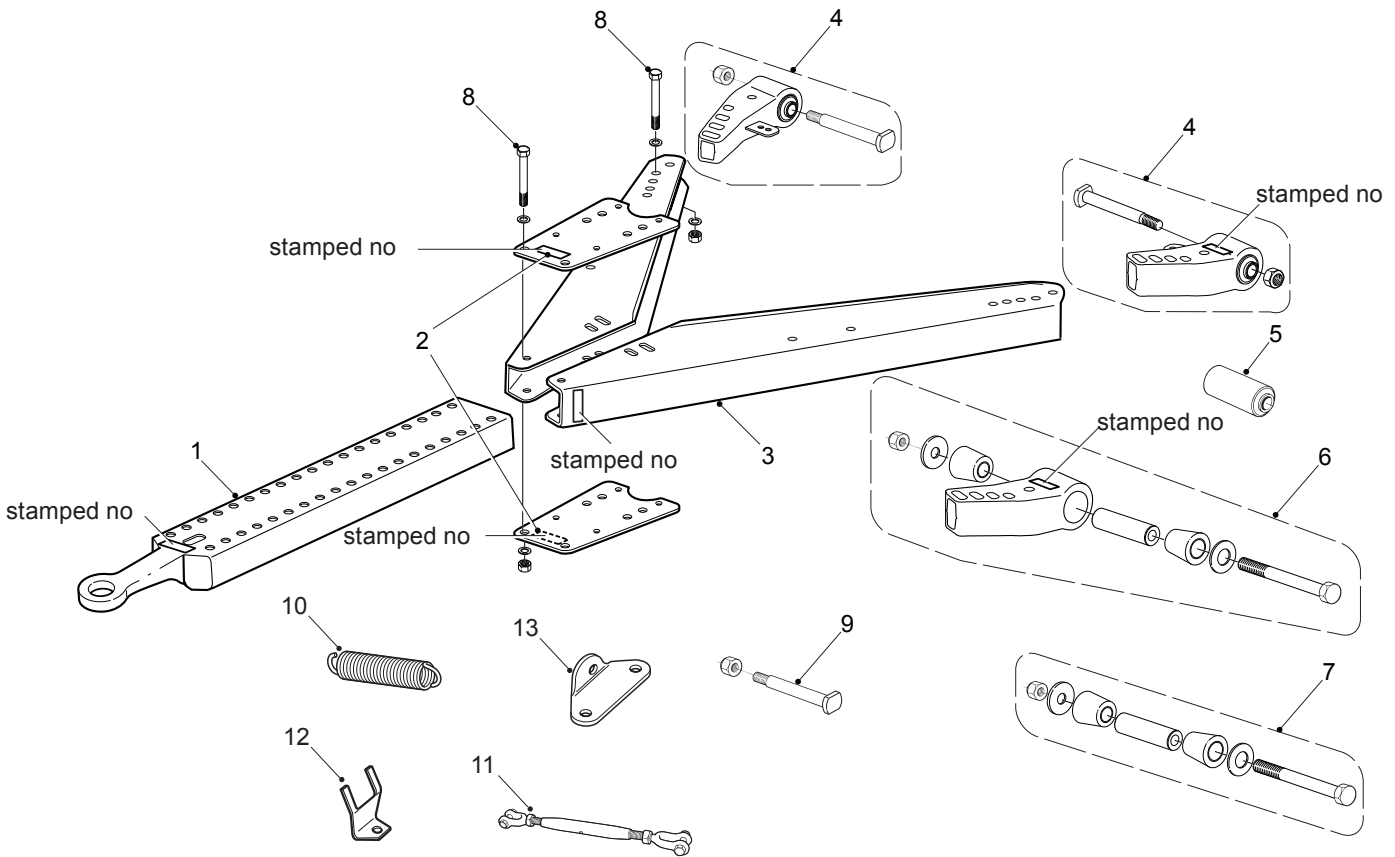
Pos	Part No.	Description	Pos	Part No.	Description
1	26-087300	Front slider (26-080000)	4a	26-096500	Adjustment bolt assy incl. washers and nuts
	26-100600	Front slider (26-100000) Manufactured to desired measurements			
2	26-087400	Rear A-frame (26-080000) (incl. Pos. 4, 5, 6, 30)	5	26-089900	Stop plate
	26-100200	Rear A-frame (26-100000) (incl. Pos. 4, 5, 6, 30)	6	26-096400	Wear set (inkl. wear plate Pos. 30)
3	18-010400	Wear ring for 57.5 mm Ø VBG tow eye	7a	18-002500	Bushing kit (lower jaw bushing, front bushing)
	18-010401	Wear ring for 57.5 mm Ø VBG tow eye	7b	26-083000	Front bushing
	18-088800	Bush for ISO 50 mm Ø tow eye	8a	18-087000	Air cylinder, assy (Pos. 11-29)
	18-088801	Bush for ISO 50 mm Ø tow eye	9	07-009000	Power valve (only for 26-080000)
	18-013800	Bush for DIN 40 mm Ø tow eye	10	25-071700	Spring retainer
<b>Spare parts for Automatic drawbar 26-011100</b>					
			4b	26-006000	Coupling jaw
			7c	26-000900	Bushing upper plate
			7d	26-001000	Bushing front slider
			7e	26-001100	Bushing lower plate
			7f	26-040200	Welding bushing
			8b	09-117500	Mechanism

# Automatic Drawbar



Pos	Part No.	Description	Pos	Part No.	Description
11		Screw MC6S M10x80 mm	25	18-002600	Lock bolt incl. bushing kit
12		Washer FZB 10,5x21 mm	26		Guide
13	18-080900	Cover, air cylinder	27		Nyloc nut M12
14		Screw MF6S M12x25 mm	28	29-000200	Snap-on coupling, 90°
15		O-ring	29	29-000800	Snap-on coupling, straight
16		Diaphragm	30	18-089800	Wear plate for vertical play (Qty as required)
17	18-081000	Housing, air cylinder	26-096600		Kit for extra hole or hole repair
18		Seal	26-087800		Diaphragm repair kit (Pos. 14-16,18, 23)
19		Spacer	26-087700		Air cylinder repair kit (Pos. 11,12,14-16,18-28)
20		Wiper	26-075700		Rebuild kit (for older automatic drawbar models)
21		Lock-ring			
22		Pressure spring			
23		Shaft			
24		Washer TBRB 13x24 mm			

# Multi Drawbar D:130/146 kN

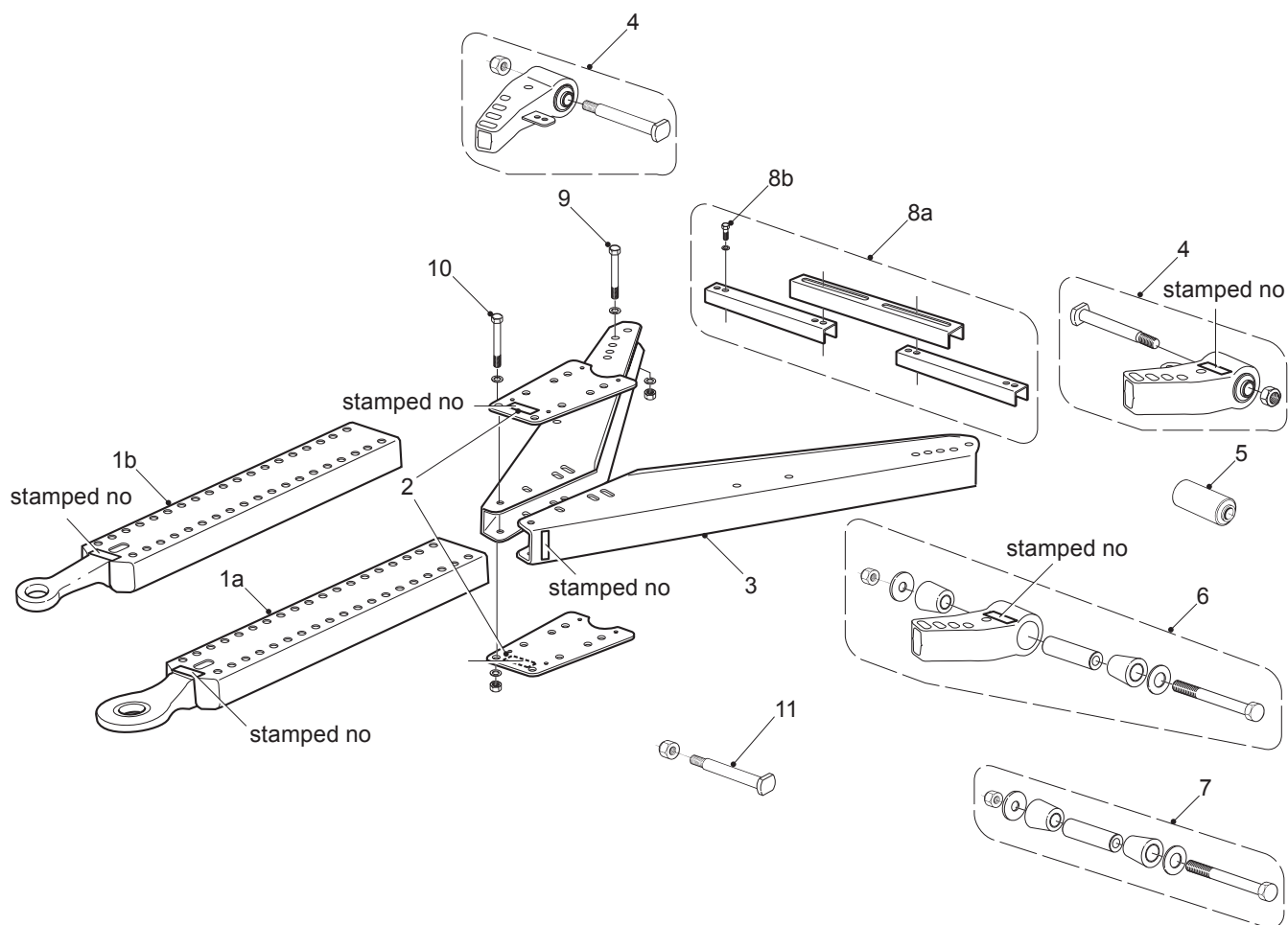


Pos	Part No.	Description	Pos	Part No.	Description
1	25-043078	Front slider DIN Ø 40 mm*		25-046078	Leg 2.0 m, c/c 980/1200
	25-043178	Front slider ISO Ø 50 mm		25-068078	Leg 2.2 m, c/c 980/1200
	25-043278	Front slider VBG Ø 57 mm		25-068178	Leg 2.2 m, c/c 1100/1300
2	25-043378	Mounting plates, leg 1.4 m	4	25-073478	Hinge bracket with tted Silent block 32
	25-043478	Mounting plates, leg 2.0 m			stamped no: VBG 250638 alt 250734
3	25-046278	Leg, 1.2 m, c/c 1100/1300	5	26-050700	Silent block 32
	25-046178	Leg 1.2 m, c/c 980/1200	6	25-073578	Hinge bracket type Briab
	25-045978	Leg 1.4 m, c/c 980/1200			stamped no: VBG 250639 alt 250735
	25-066478	Leg 1.65 m, c/c 980/1200	7	26-058600	Assembly set Briab
	25-066578	Leg 1.65 m, c/c 1100/1300	8	35-045600	Bolt kit M14, containing ** Screw M6S M14 x130, 8.8 (5 pcs.) Locking nut M14 kl.8 (5 pcs.) Washer BRB, HB200 (10 pcs.)
		stamped no: VBG 250554 alt 250665	9	18-057800	Pivot bolt
			10	26-076000	Balance spring
			11	26-071100	Rigging screw
			12	26-030100	Power plug bracket
			13	25-054978	Spring retainer

\* Only for performance level D: 130 kN.

\*\* The bolt sets are treated with zinc iron-black and treated with wax.

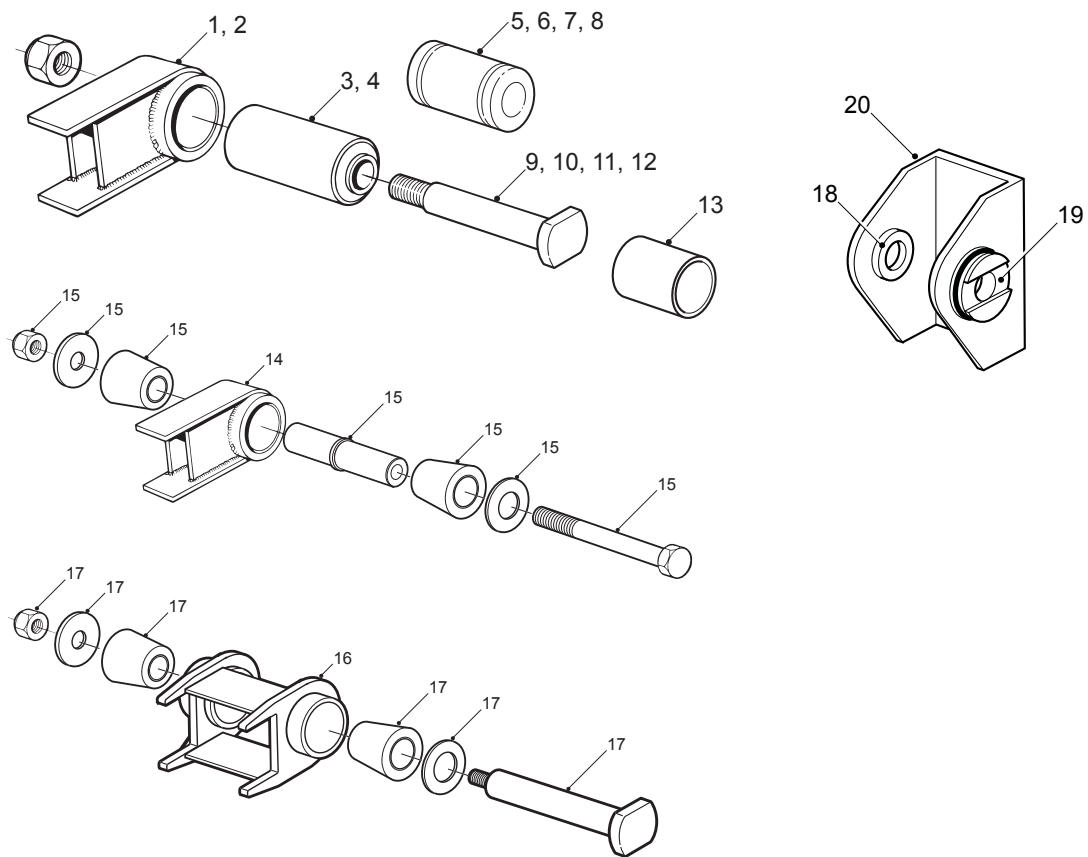
# Multi Drawbar D:179 kN



Pos	Part No.	Description	Pos	Part No.	Description
1	25-042878	Front slider ISO Ø 50 mm stamped no: VBG 250588 alt 250428	4	25-073478	Hinge bracket with tted Silent block 32
	25-042978	Front slider VBG Ø 57 mm stamped no: VBG 250589 alt 250429	5	26-050700	Silent block 32
2	25-067078	Mounting plates, leg 1.2, 1.65 stamped no: VBG 250592 alt 250670	6	25-073578	Hinge bracket type Briab
	25-067978	Mounting plates, leg 2.2 m stamped no: VBG 250593 alt 250679	7	26-058600	Assembly set Briab
3	25-046178	Leg, 1.2 m, c/c 980-1200 stamped no: VBG 250553 alt 250461	8a	25-057678	Crossbar
	25-046278	Leg, 1.2 m, c/c 1100-1300 stamped no: VBG 250566 alt 250462	8b	35-047300	Crossmember Bolt kit
	25-066478	Leg 1.65 m, c/c 980/1200 stamped no: VBG 250554 alt 250664	9	35-045600	Bolt kit M14, containing * Screw M6S M14 x130, 8.8 (5 pcs.) Locking nut M14 kl.8 (5 pcs.) Washer BRB, HB200 (10 pcs.)
	25-066578	Leg 1.65 m, c/c 1100/1300 stamped no: VBG 250554 alt 250665	10	35-047200	Bolt kit M16, containing 1 Screw M6S M16 x140, 8.8 (6 pcs.) Locking nut M16 8 o' clock (6 pcs.) Washer BRB, HB200 (12 pcs.)
	25-068078	Leg 2.2 m, c/c 980/1200 stamped no: VBG 250555 alt 250680	11	18-057800	Pivot bolt
	25-068178	Leg 2.2 m, c/c 1100/1300 stamped no: VBG 250555 alt 250681	12	26-076000	Balance spring
			13	26-071100	Rigging screw
			14	26-030100	Power plug bracket
			15	25-054978	Spring retainer

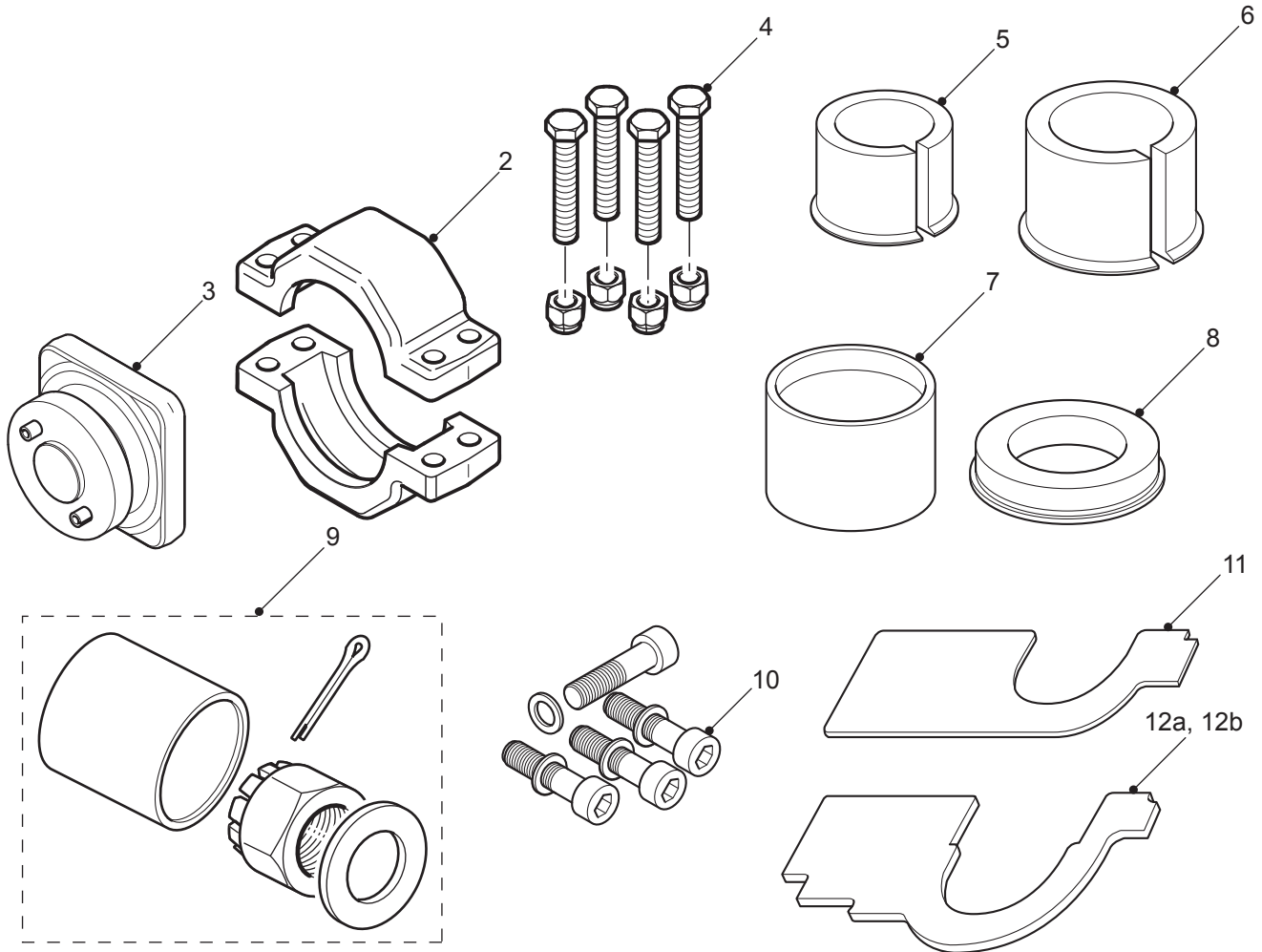
\* The bolt sets are treated with zinc iron-black and treated with wax.

# Attachment parts



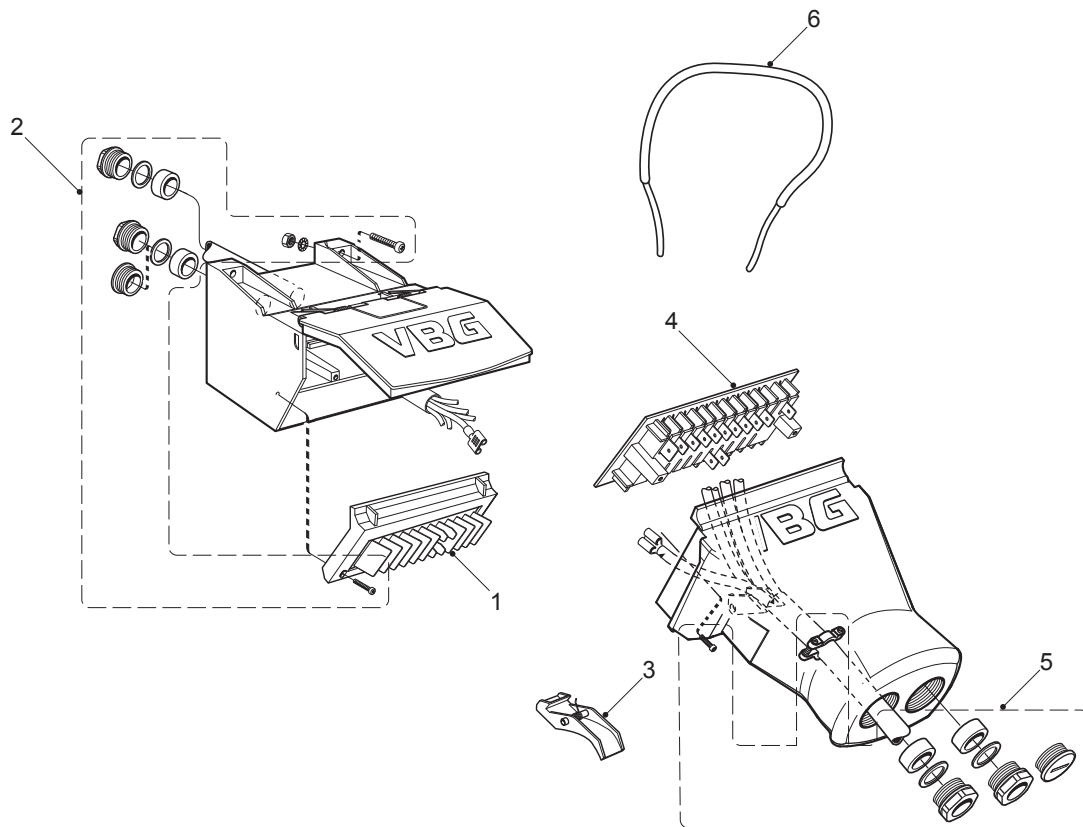
Pos	Part No.	Description	Pos	Part No.	Description
<b>Hinge bracket VBG standard</b>			<b>Hinge bracket type Briab</b>		
1	25-013000	Rear bracket incl. sleeve, for nylon bushing Ø 25-35 mm and Vibra block Ø 32 mm	14	25-013500	Hinge bracket
2	25-013200	Rear bracket incl. sleeve For Vibra block Ø 34 mm	15	26-058600	Mounting kit
3	26-050700	Silent block Ø 32 mm	<b>Hinge bracket type ASJ</b>		
4	26-050800	Silent block Ø 34 mm	16	26-088500	Hinge bracket
5	26-050300	Nylon bushing Ø 30 mm	17	26-052800	Mounting kit
6	26-050200	Nylon bushing Ø 32 mm	<b>Trailer attachment</b>		
7	26-050600	Nylon bushing Ø 34 mm	18	18-055100	Bushing, Ø 32 mm without slot
8	26-054000	Nylon bushing Ø 35 mm		18-055300	Bushing, Ø 34 mm without slot
9	26-055600	Spring bolt Ø 30 mm, incl. locking nut	19	18-055200	Bushing, Ø 32 mm with slot
10	18-057800	Spring bolt zinc plated Ø 32 mm, incl. locking nut		18-055400	Bushing Ø 34 mm with slot
11	26-055800	Spring bolt Ø 34 mm, incl. locking nut	20	26-057300	Drawbar attachment trailer
12	26-055700	Spring bolt Ø 35 mm, incl. locking nut			
13	25-005600	Sleeve, width 100 mm			

# Drawbar eyes



Pos	Part No.	Description	Pos	Part No.	Description
1	15-015700	Eye	9	18-002800	Castle nut kit
2	15-022700	Clamp, x2	10	15-019200	Bolt kit for drawbar eye 190 (6 pcs.)
3	15-022500	Monting plate 165x165 mm		15-020600	Bolt kit for drawbar eye 917 (8 pcs.)
4	15-020400	Bolt kit	11	18-004800	Wear gauge for Ø 40 mm coupling/eyes
5	18-013800	Slotted bushing, 40 mm ( ts to drawbar eye 17-012900, 17-013000)	12a	18-004700	Wear gauge for Ø 50 and Ø 57 mm couplings/eyes. Plastic
6	18-088800	Slotted bushing, std dim. ( ts to drawbar eye 16-089500, 16-088500)	12b	18-004600	Wear gauge For Ø 50 and Ø 57 mm couplings/eyes. Steel
	18-088801	10-p			
7	18-088600	Non-slotted bushing, std dim ( ts to drawbar eye 16-091700, 16-089500, 16-088500)			
8	18-010400	Wear ring 57.5 mm ( ts to drawbar eye 15-017300, 15-018500, 15-018800, 15-016000, 15-019000)			
	18-010401	10-p			

# Power plug 14/17

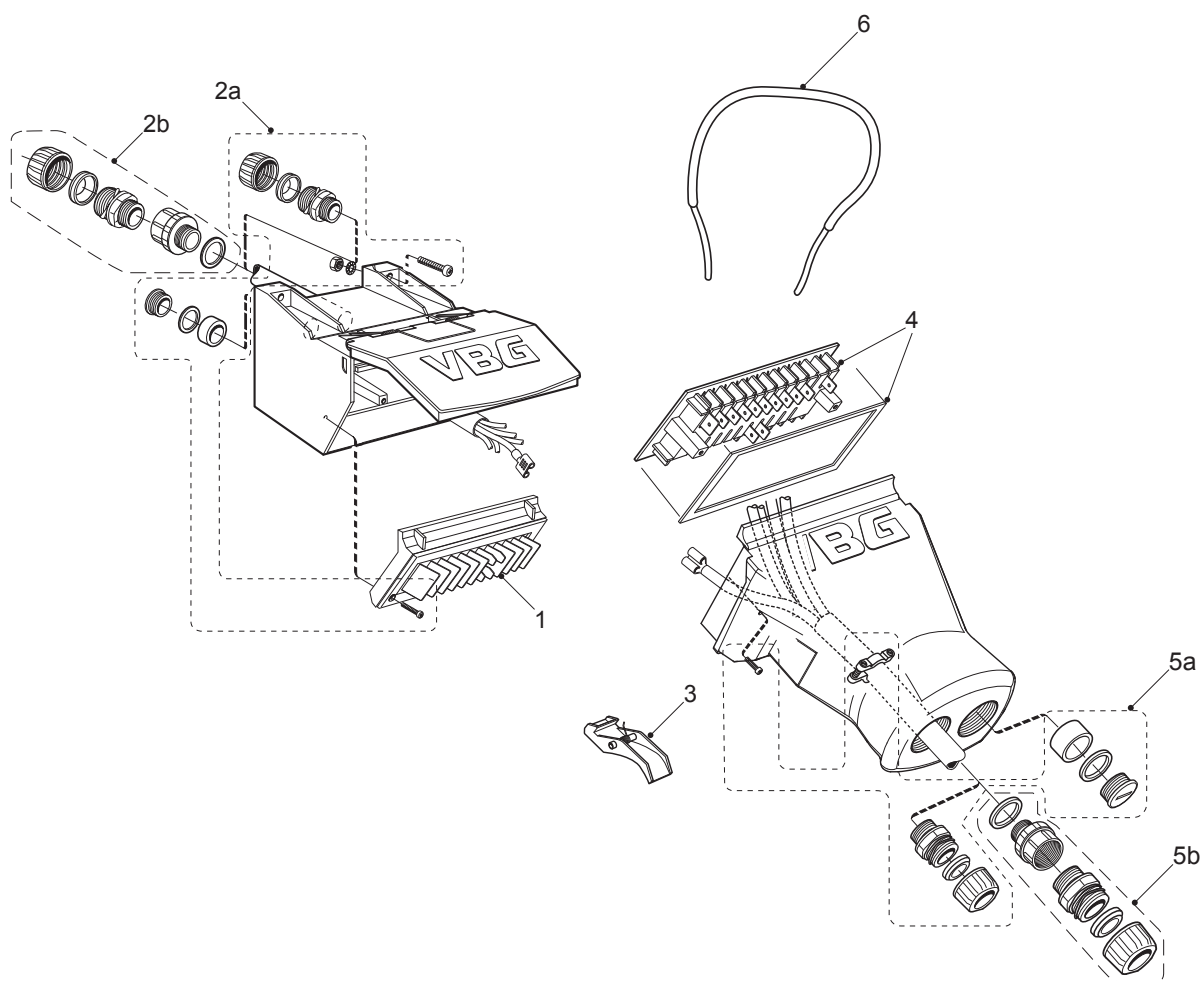


Pos	Part No.	Description	Pos	Part No.	Description
1	28-029100	Insert 14-terminal, incl. screws	3	28-027600	Lock hook
	28-029300	Insert 17-terminal, incl. screws	4	28-033800	Insert 14-terminal, incl. screws
2	28-062500	Mounting kit, includes: Rubber gaskets (2 pcs.) Sealant washers (2 pcs.) Sealant screws (2 pcs.) Plug (1 pcs.) Screw 3,6x12 mm (2 pcs.) Screw M5x25 (3 pcs.) Nuts M6 5 (3 pcs.) Washers 5 mm (3 pcs.)		28-033900	Insert 17-terminal, incl. screws Inserts for older sockets*
			5	28-062600	Mounting kit, includes: Rubber gaskets (2 pcs.) Sealant washers (2 pcs.) Sealant screws (2 pcs.) Plug (1 pcs.) Screw 3,6x12 mm (2 pcs.)
			6	28-029900	Hose clamp (1 pcs.) Electrical heating coil

\* Older sockets are labelled "VBG VÄNERSBORG SWEDEN PATENTED", while new ones are labelled "VBG DESIGN BY DIAB SWEDEN PATENTED".



# Power plug 14/17 ADR



Pos	Part No.	Description	Pos	Part No.	Description
1	28-034200	Insert ADR 14-terminal incl. screws	3	28-027600	Lock hook
	28-034700	Insert ADR 17-terminal incl. screws	4	28-034300	Insert ADR 14-terminal incl. screws
2a	28-063600	Installation kit Ø9-15 mm, includes: ADR fitting (x1) Blind plug (x1) Rubber seal (x1) Sealing washer (x1) Screw 3.6x12 mm (x2) Screw M5x25 (x3) Nut M6 5 (x3) Washers tag 5 mm (x3)		28-034800	Insert ADR 17-terminal incl. screws
			5a	28-063700	Installation kit Ø9-15 mm, includes: ADR fitting (x1) Blind plug (x1) Rubber seal (x1) Sealing washer (x1) Screw 3.6x12 mm (x2) Cable reliever (x1)
2b	28-035900	Installation kit Ø10.5-17 mm, includes: ADR fitting (x1) Adapter PG16-PG21 (x1) Rubber seal (x1)	5b	28-035900	Installation kit Ø10.5-17 mm, includes: ADR fitting (x1) Adapter PG16-PG21 (x1) Rubber seal (x1)
			6	28-029900	Electrical heating coil





**VBG GROUP TRUCK EQUIPMENT GMBH**

Oberschlesienstrasse 15  
DE - 47807 KREFELD  
Tel +49 2151 835 0  
Fax +49 2151 835 200  
[www.ringfeder.de](http://www.ringfeder.de)

**VBG GROUP TRUCK EQUIPMENT AB** **VBG GROUP SALES BENELUX NV**

Box 1216  
SE-462 28 VÄNERSBORG  
Tel +46 521 27 77 00  
[www.vbg.se](http://www.vbg.se)

Industrie Zuid Zone 2.2  
Lochtemanweg 50  
BE- 3580 Beringen  
Tel +32 11 458 379  
Fax +32 11 458 378  
[www.vbggroup.be](http://www.vbggroup.be)

**VBG GROUP SALES AS**

Postboks 94 Leirdal  
NO-1009 OSLO  
Tel. +47 23 14 16 60  
[www.vbg.no](http://www.vbg.no)

**VBG GROUP SALES LIMITED**

Unit 9 Willow Court  
West Quay Road  
Winwick Quay  
Warrington  
Cheshire WA2 8UF  
Tel +44 1925 234111  
[www.vbg ltd.co.uk](http://www.vbg ltd.co.uk)

**VBG GROUP SALES A/S**

Industribuen 20-22  
DK-5592 Ejby  
Tel +45 64 46 19 19  
[www.vbg.dk](http://www.vbg.dk)

Member of VBG GROUP  
[www.vbg.eu](http://www.vbg.eu)



**The strong connection**

