

# Products for Container equipment and Intermodal transports



# Products for Container equipment

## JOST – from small workshop to global player

JOST's history began as a typical post-war success story. In the early 1950s, Neu-Isenburg is home to two real movers and shakers – Hans Breuer and Joseph Steingass. Inspired by the semitrailer trucks they had seen the American troops using in Frankfurt, they began developing fifth wheel couplings made of cast steel. They filed a patent for their invention in 1955, and received general type approval in 1960.

This quickly turned the former forge for ball bearing turntables into an extremely successful company that has been market leader in the field ever since. The expansion into international markets, which began as far back as the 1960s, has also played a big part in JOST's positive development. JOST is currently represented on every continent in the world, with 16 production sites and another 11 sales offices.

The start of the new millennium signalled another milestone in the company's history. The production technology and product range were extensively modernised, while the takeover of JOST by well-financed investors made the acquisition of appropriate companies possible.

Today, it is impossible to imagine the truck and trailer market without JOST World – and its four strong brands JOST, ROCKINGER, TRIDEC and Edbro – as a globally active provider of components and systems.

However, just as the company's main office in Neu-Isenburg still rests on the foundation walls of the former forge, JOST's success is based on characteristics that are in the company's DNA now and when it was founded: outstanding engineering services for the products the market needs, teamed with spirit and brave decisions.



### How to contact us:

JOST-Werke, Siemensstraße 2, 63263 Neu-Isenburg  
Phone: +49 6102 295-0, Fax +49 6102 295-298  
E-Mail: [jost-sales@jost-world.com](mailto:jost-sales@jost-world.com)

**JOST** **ROCKINGER** **TRIDEC** **Edbro**

You will find these products in this catalogue



**1**  
Components for intermodal transports



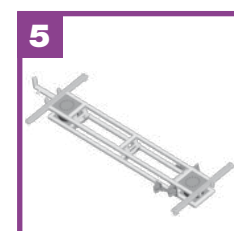
**2**  
Corner castings



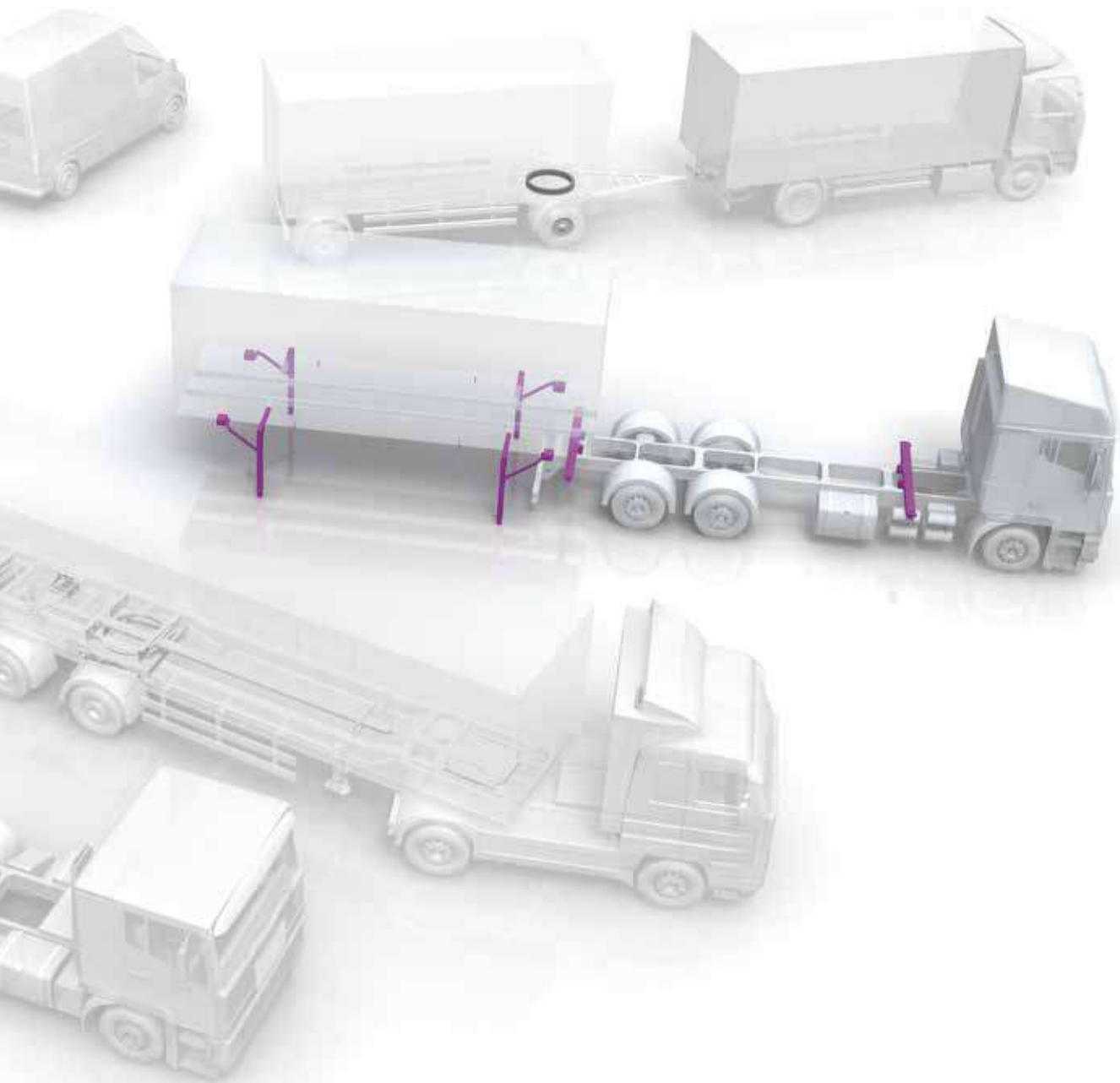
**3**  
Twist locks



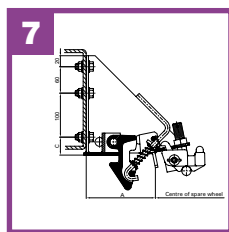
**4**  
Bolsters



**5**  
Lifting frame for swap bodies



**6**  
Airbag lifting devices



**7**  
Spare wheel holders



The entire  
product overview  
online

# Container equipment



## Components for intermodal transports

**Page 6 - 28**

Product range Supports	Page	7
Component range	Page	8
Arrangement of support legs	Page	10
Series and spare parts	Page	11 - 20
Special versions to order	Page	21
Telescope parts	Page	22
Struts	Page	23
Support bearings, spring locking bars, outer bearings and Second safety device	Page	24 - 26
Support bearings and support hooks	Page	27
Information plates	Page	28



## Corner castings

**Page 30 - 35**

Freight containers	Page	31
Swap bodies	Page	32
Stackable swap bodies	Page	33
Special constructions	Page	34 - 35



## Twist locks

**Page 36 - 85**

Load data	Page	36
Twist locks on the standard container chassis	Page	37
Twist locks on the gooseneck chassis	Page	38
Intermodal vehicle / trailer	Page	39
Product range non-retractable twist locks	Page	40
Product range retractable twist locks	Page	41
Product range front twist locks	Page	42
Product range height adjustments	Page	43
Series and spare parts for twist locks	Page	44 - 79
Wing lock	Page	80 - 81
Locking pin	Page	82
Guide bush and outer bush	Page	83
Security latch and ball lock	Page	84
Anti-theft lock DS 300 and Spanner for twist locks	Page	85
Installation tool for locking rings and strut pivot pins	Page	85



## Bolsters

**Page 86 - 99**

Product range for bolsters	Page	87
Series and spare parts for bolsters	Page	88 - 99



## Lifting frames

**Page 100 - 102**

Components for lifting frames	Page	101
Stop	Page	102



**Airbag lifting devices****Page 104 - 120**

Product range	Page	104
Control system	Page	105
Series and spare parts	Page	106 - 117
Guide roller and folding pin	Page	118 - 119
Guide roller bearings	Page	120

**Spare wheel holders****Page 122 - 125**

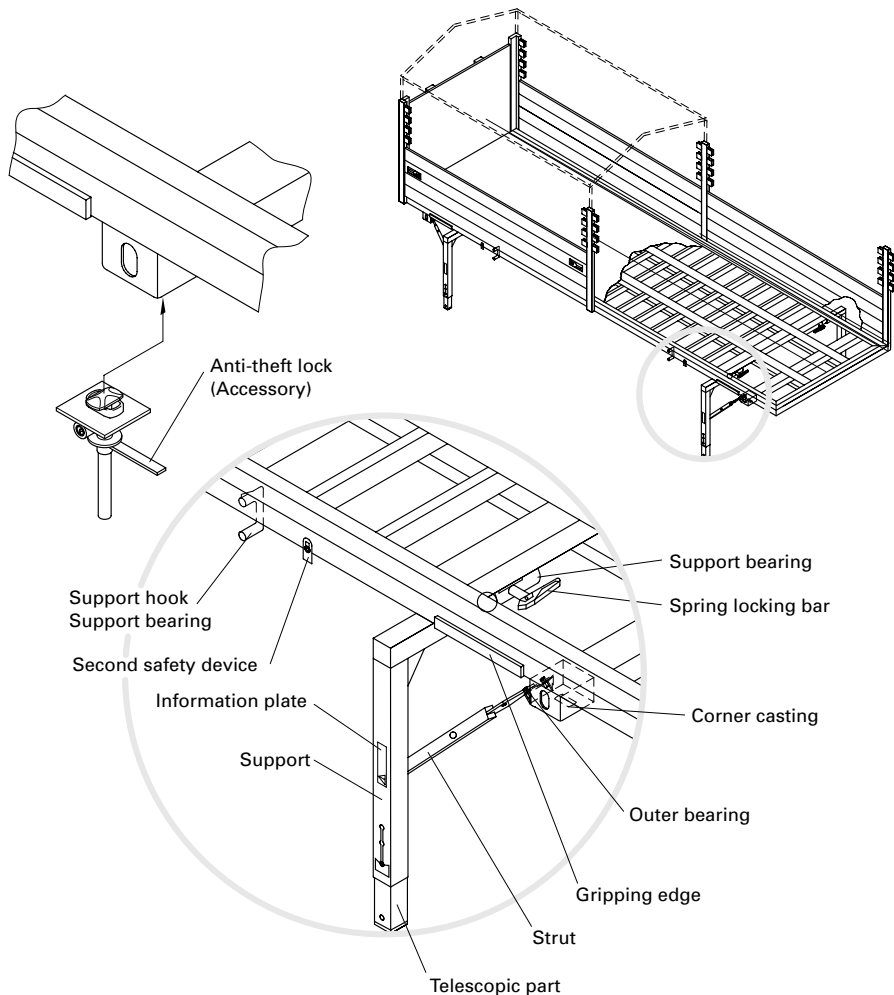
Product range	Page	122
Series and spare parts	Page	123 - 124
Installation levers	Page	125

# Components for intermodal transports



Flexibility, compatibility, stability and safety are the basic parameters for a future-oriented motor pool. JOST ensures that these parameters can be satisfied with its international quality standards and a global sales and after sales service network.

Components for intermodal transports allows interchange and container systems to be parked safely and then connected to the appropriate carrier vehicle (truck, trailer, railway wagon, etc.). The components for intermodal transports must always be used as set out in the instructions in the operating manual for the relevant vehicle. In Germany you must comply with the TÜV regulations and the Road Traffic Act StVZO, as well as the existing standards.



# Product range of supports

## Standard version in compliance with / similar to EN 284

Maximum gross weight of the swap body (kg)	Design pursuant to EN 284	Supports, non telescopic	Telescoping	Undetachable telescopic part	Standard strut	Safety strut	Hole for support hook	Overall length (mm)	Weight (kg)	Order No.	Drawing No.	Figure see page ...	
18.000	A1	•			•		•	1430	37.0	SS 86 SKL	640.497.000	11	
		•				•	•	1430	37.0	SKBL	640.498.000	11	
			•			•		•	1330-1430	39.0	TSKL	640.501.000	11
				•			•	•	1330-1430	39.0	TSKBL	640.502.000	11
					•	•	•	•	1330-1430	40.0	TSKSL	642.594.000	11
					•	•		•	1330-1430	40.0	TSKSBL	642.595.000	11
18.000	A2	•			•		•	1430	37.0	SKL2	640.499.000	14	
		•				•	•	1430	37.0	SKBL2	640.500.000	14	
			•			•		•	1330-1430	39.0	TSKL2	640.503.000	14
				•			•	•	1330-1430	39.0	TSKBL2	640.504.000	14
					•	•		•	1330-1430	40.0	TSKSL2	642.483.000	14
					•	•		•	1330-1430	40.0	TSKSBL2	642.484.000	14
					•	•	•	•	1330-1430	40.0	TSKXL2	640.872.000	14
					•	•		•	1330-1430	40.0	TSKXBL2	640.873.000	14

### Other versions

18.000	A2		•	•	•			1130-1430	41.0	SS 86 TSKS2003	642.553.000	17
			•	•	•			930-1230	38.0	SS 86 TSKS2004	642.554.000	17
			•		•			930-1230	38.0	SS 86 TSK2049	641.197.000	17
				•	•			1080-1430	41.0	SS 86 TSKS2006	642.556.000	17
				•		•		1080-1430	41.0	SS 86 TSK2072	641.556.000	17
6.000		•			•			1230	25.5	RS 7080 SK	641.206.000	18
		•				•		1230	25.5	SKB	641.207.000	18
			•		•			1130-1230	27.0	TSK	641.208.000	18
				•		•		1130-1230	27.0	TSKB	641.209.000	18
10.000		•			•			1430	36.0	RS 7090 SK	640.071.000	19
		•				•		1430	36.0	SKB	640.214.000	19
			•		•			1330-1430	37.5	TSK	640.075.000	19
				•		•		1330-1430	37.5	TSKB	640.215.000	19
16.000		•			•			1080	37.0	RS 7100 SVS	641.930.000	20
		•				•		1080	36.5	SVB	641.213.000	20
			•		•			1080-1180	38.0	TSVS	641.931.000	20
				•		•		1080-1180	38.0	TSVB	641.214.000	20
25.000		•			•			1430	48.0	RS 1025 S*	640.612.000	
		•				•		1430	48.0	SB*	640.715.000	
31.000		•			•			1450	66.0	RS 1230 S*	640.063.000	

Special versions with other dimensions are available on request.

See page 12 and 13 for individual support parts, see page 23 for strut pivot pins.

Special versions: See page 21 for bespoke supports.

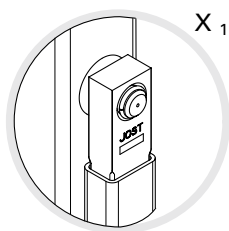
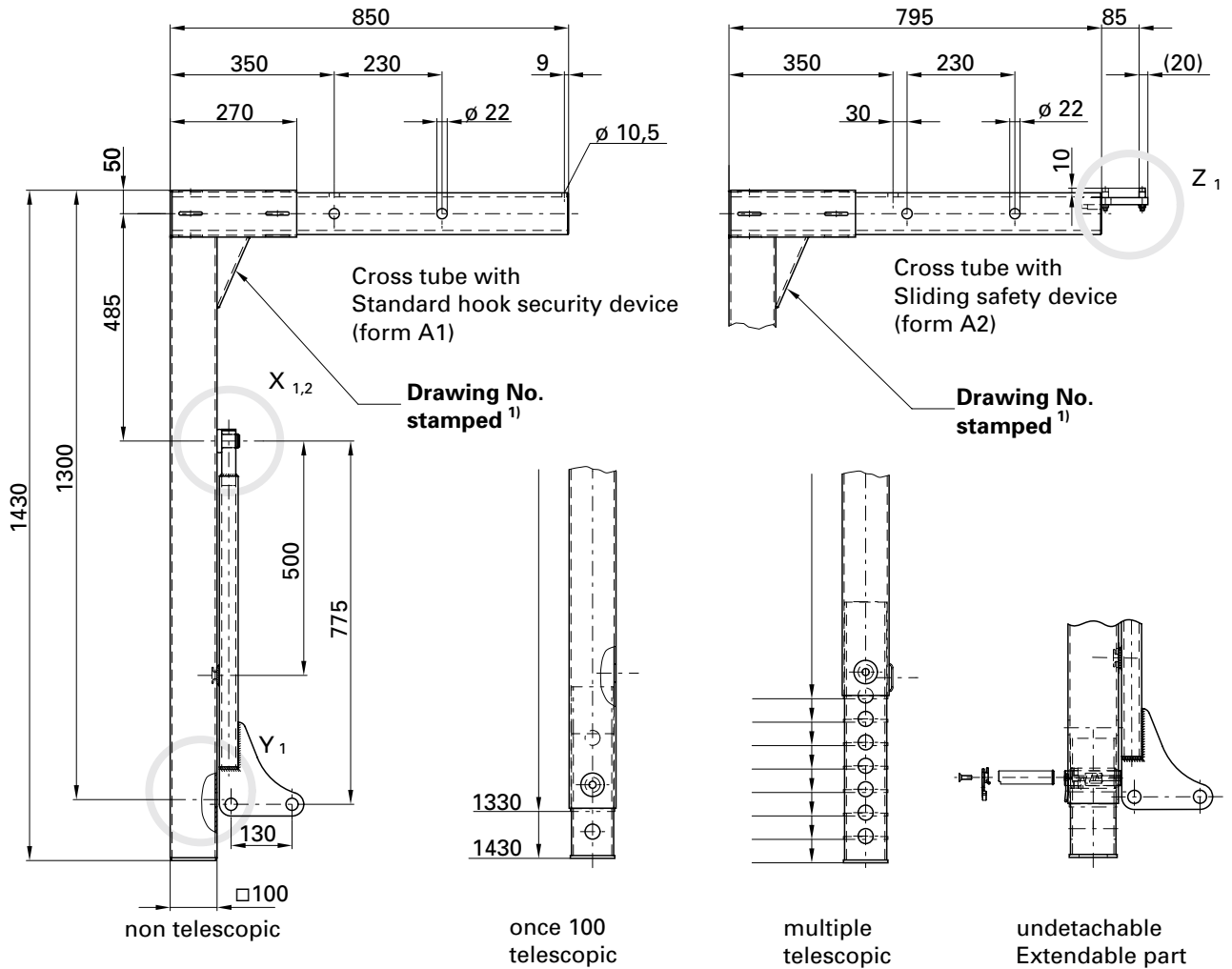
\* further information is available on request

All supports are delivered primed

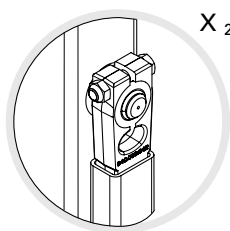
Coatings that can be delivered on demand:

- EPD primer and powder coating in standard RAL colours
- Hot-dip galvanised

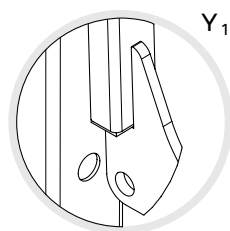
# Component range



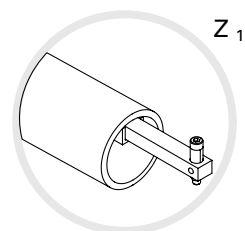
Standard strut



Safety strut with brake



Hole for support hook



extendable safety device

1) For all types with a welded node plate.

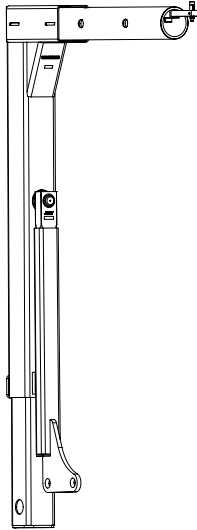
For series RS 7080 and RS 7090 the Drawing No. is stamped on the external reinforcement.



# Component range

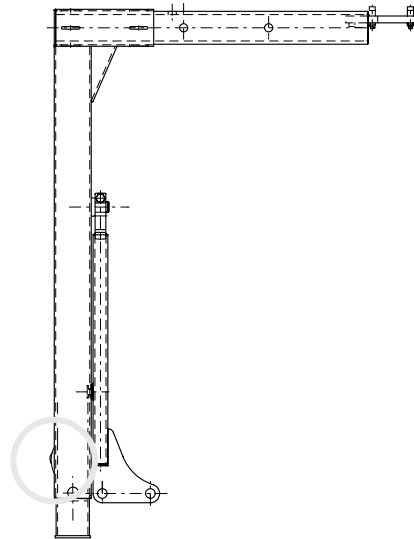
## All support leg versions

- Embossed, 9-digit part number in the gusset plate between support tube and standpipe
- Specification when exchanging easy, clear, quick
- Individualised arrangement of spare parts (e.g. strut) easily accomplished via parts list



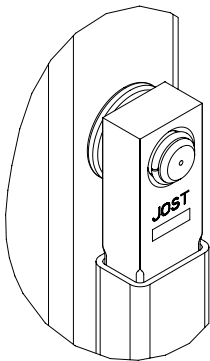
## For undetachable telescopic legs (S-Version)

- Increased safety and ease of use thanks to keyhole principle
- Robust execution due to a catch plate with a tailored design and large grip disc on the bolt
- Resistant to climatic conditions



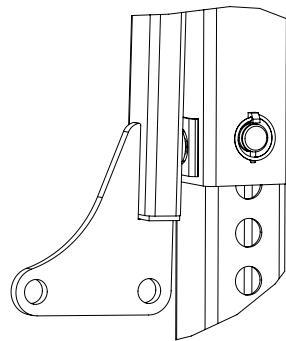
## Strut bearing

- Bearing bolt with welding plate  $D = 60\text{mm}$
- Increased stability when loading forklift



## For standard telescopic legs

- Linch pin instead of safety pin
- Easier handling



## Special models

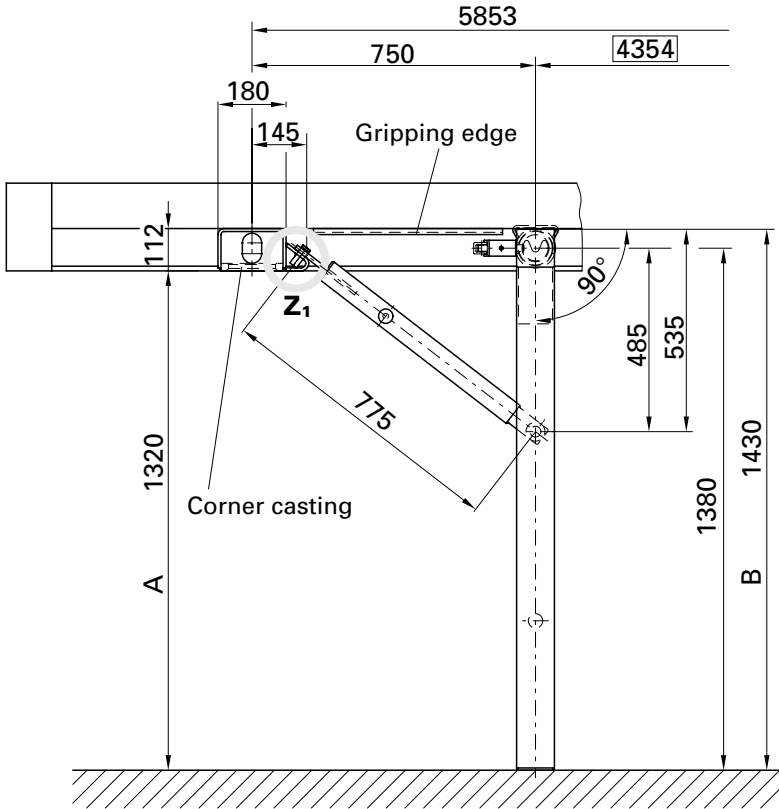
- Manufacturing of customer-specific special models possible

**Individual and competent consulting on all questions concerning construction, application and use of alternating systems.**

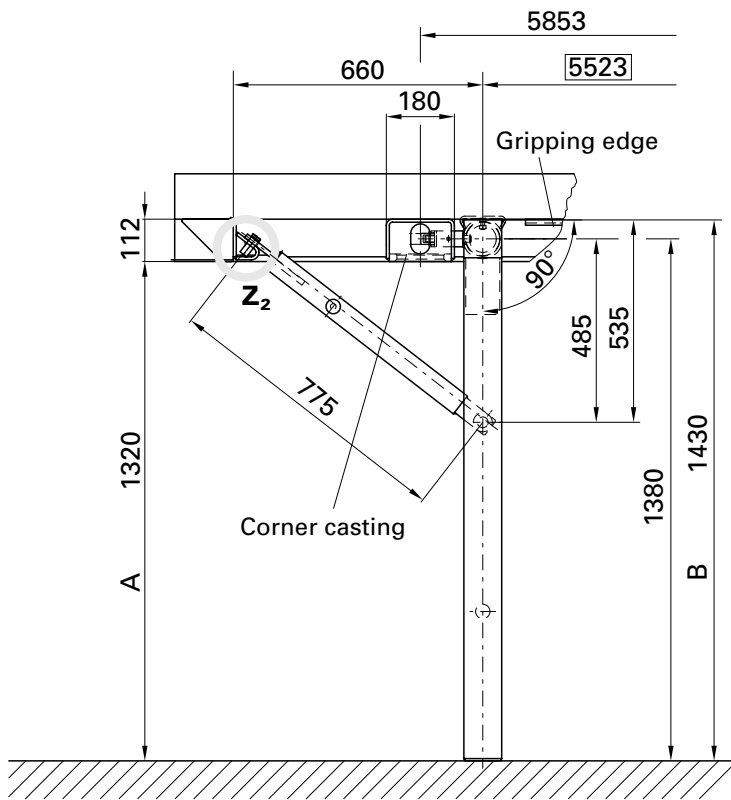
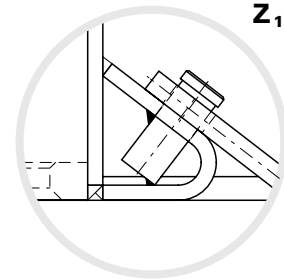
## Coating

- JOST internal e-coating
- High level of corrosion protection
- Wide range of RAL colours for final powder coating possible
- Hot-dip galvanised

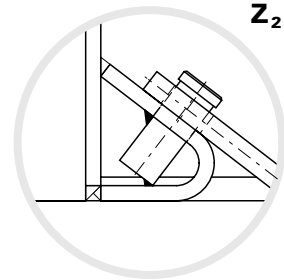
# Arrangement of support legs



DIN EN 284 (Form A1)



DIN EN 284 (Form A2)

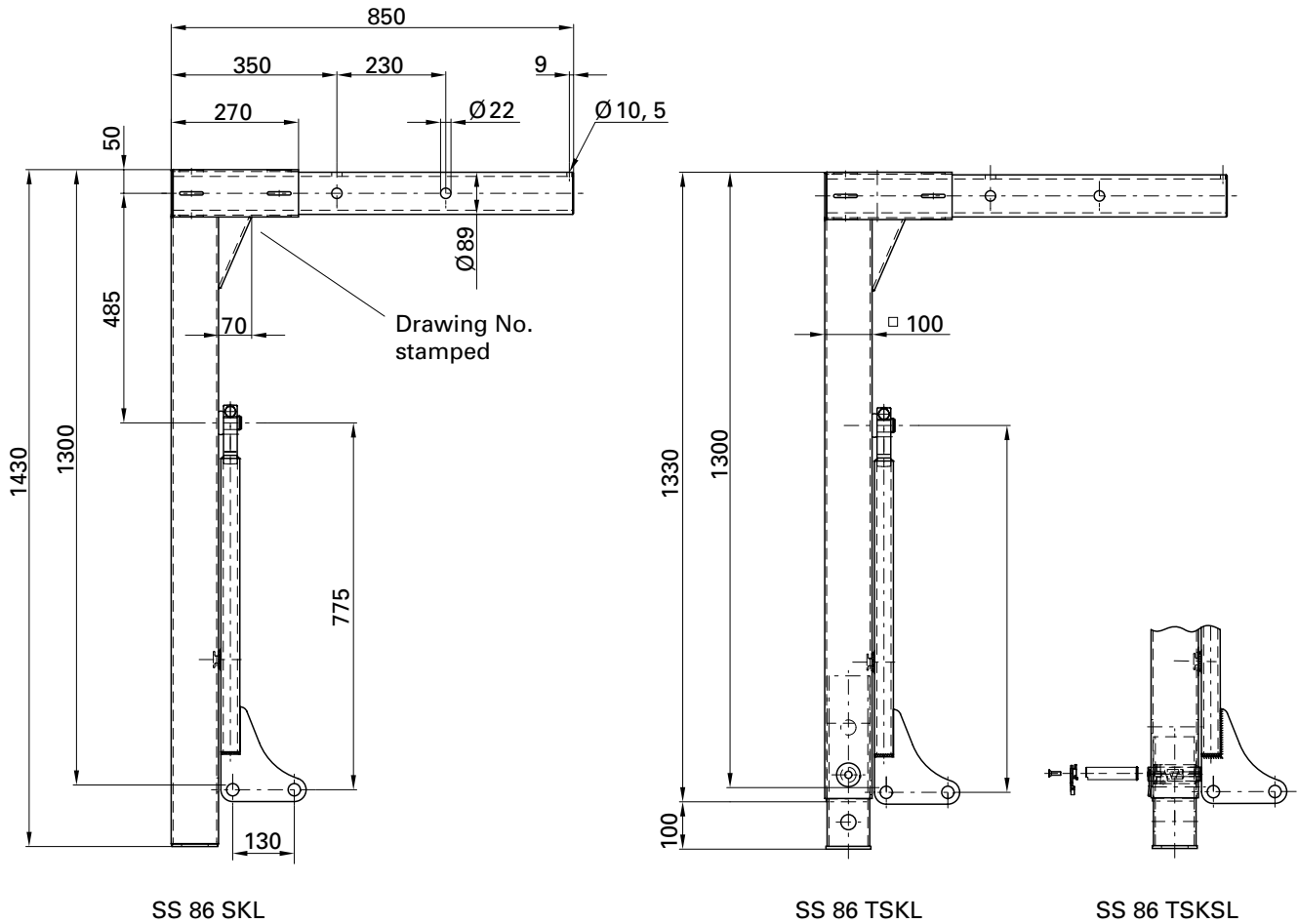


A = Height from the ground  
 B = Length of leg

# SS 86, form A1

For swap bodies with a maximum gross weight of 18.000 kg

Dimensions pursuant to DIN EN 284, form A1, Federal Railways Certificate 629



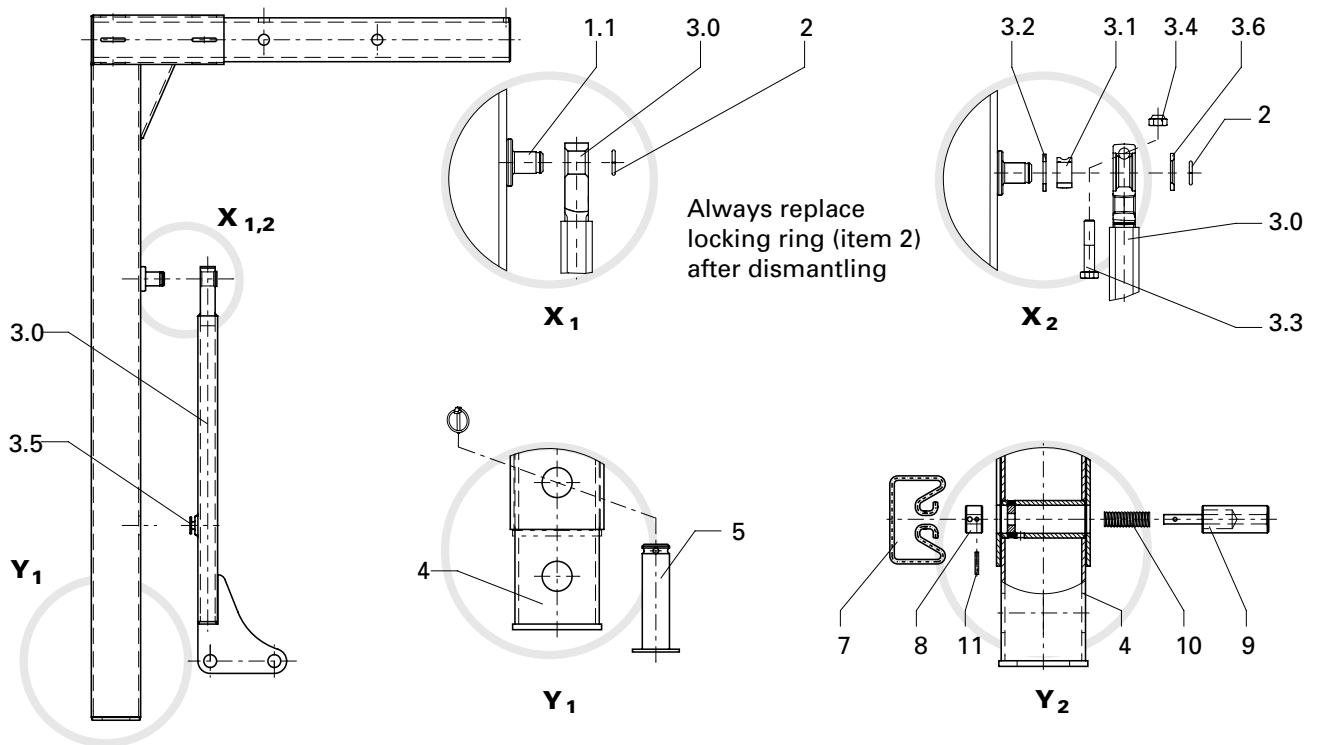
- SKL** = Non telescopic with hole for support hook
- SKBL** = Non telescopic with safety strut / strut brake and hole for support hook
- TSKL** = Telescoping with standard strut and hole for support hook
- TSKBL** = Telescoping with safety strut and hole for support hook
- TSKSL** = Telescoping with undetachable telescopic part and hole for support hook
- TSKSBL** = Telescoping with undetachable telescopic part, safety strut / strut brake and hole for support hook

## Selection table / Available versions

Weight (kg)	Order No.	Drawing No.
37.0	SS 86 SKL	640.497.000
37.0	SS 86 SKBL	640.498.000
39.0	SS 86 TSKL	640.501.000
39.0	SS 86 TSKBL	640.502.000
40.0	SS 86 TSKSL	642.594.000
40.0	SS 86 TSKSBL	642.595.000

# SS 86, form A1

## Spare parts

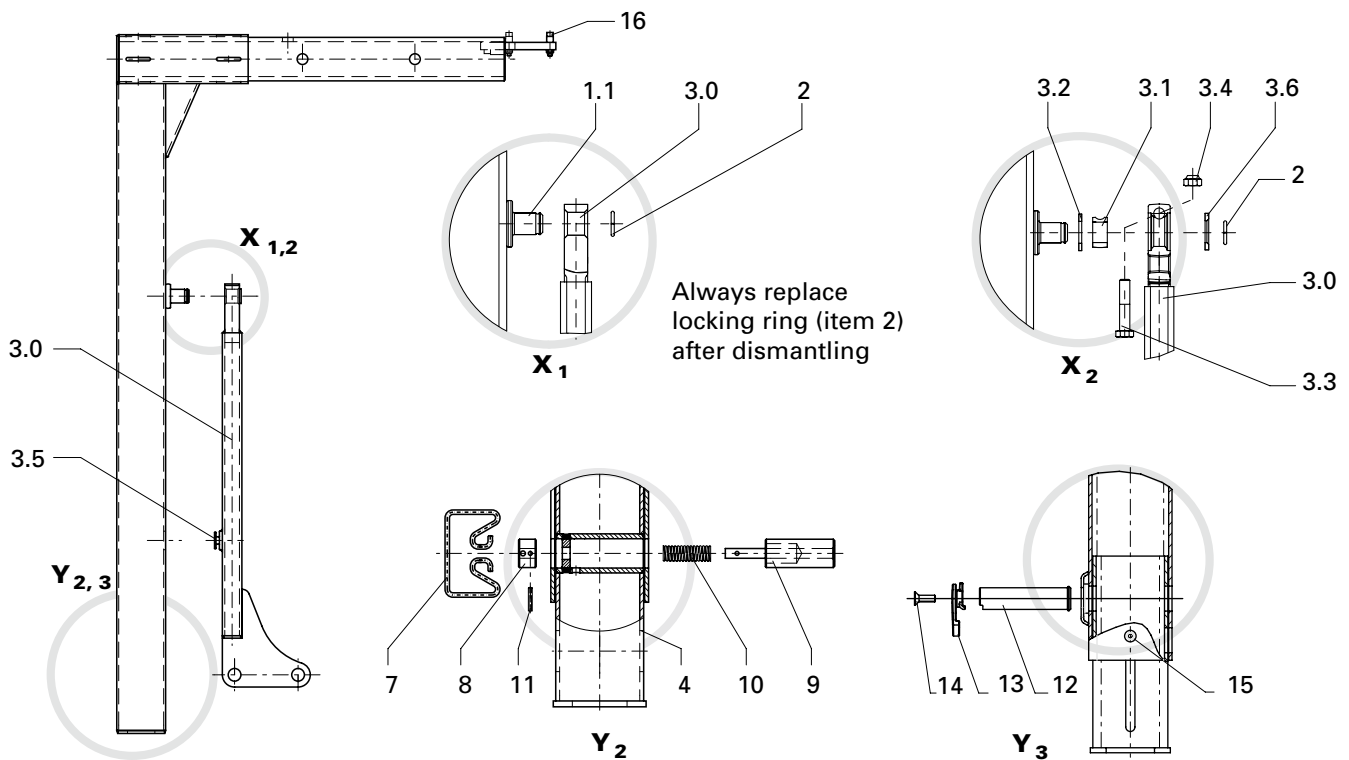


Item	Description	SS 86 SKL	SS 86 SKBL	SS 86 TSKL	SS 86 TSKBL
1.1	Strut bolt	640.000.040	640.000.040	640.000.040	640.000.040
2	Locking ring	645.003.008	645.003.008	645.003.008	645.003.008
3.0	Strut compl.	640.247.000	640.248.000	640.247.000	640.248.000
3.1	Clamping bush		640.159.002		640.159.002
3.2	Washer		000.006.013		000.006.013
3.3	Hexagon bolt M14x75		NT0026000		NT0026000
3.4	Hexagon bolt M14		000.002.012		000.002.012
3.5	Strut knob	640.004.007	640.004.007	640.004.007	640.004.007
3.6	Washer		640.159.003		640.159.003
4	Telescopic part			640.277.000	640.277.000
5	Pin			640.027.002	640.027.002
6	Linch pin			000.008.010	000.008.010



# SS 86, form A1

## Spare parts



Item	Description	SS 86 TSKL	SS 86 TSKBL	SS 86 TSKXL	SS 86 TSKXBL
1.1	Strut bolt	640.000.040	640.000.040	640.000.040	640.000.040
2	Locking ring	645.003.008	645.003.008	645.003.008	645.003.008
3.0	Strut compl.	640.247.000	640.248.000	640.247.000	640.248.000
3.1	Clamping bush		640.159.002		640.159.002
3.2	Washer		000.006.013		000.006.013
3.3	Hexagon bolt M14x75		NT0026000		NT0026000
3.4	Hexagon bolt M14		000.002.012		000.002.012
3.5	Strut knob	640.004.007	640.004.007	640.004.007	640.004.007
3.6	Washer		640.159.003		640.159.003
4	Telescopic part	640.277.000	640.277.000	640.870.300	640.870.300
7	Spring handle			640.738.514	640.738.514
8	Support bolt head			640.738.515	640.738.515
9	Support bolt compl.			640.738.512	640.738.512
10	Compression spring			640.738.513	640.738.513
11	Clamping pin			000.003.021	000.003.021
12	Bolt	642.483.001	642.483.001		
13	Handle	640.000.045	640.000.045		
14	Countersunk bolt M8x25	NT0048000	NT0048000		
15	Bolt M8x12	NT0056900	NT0056900		

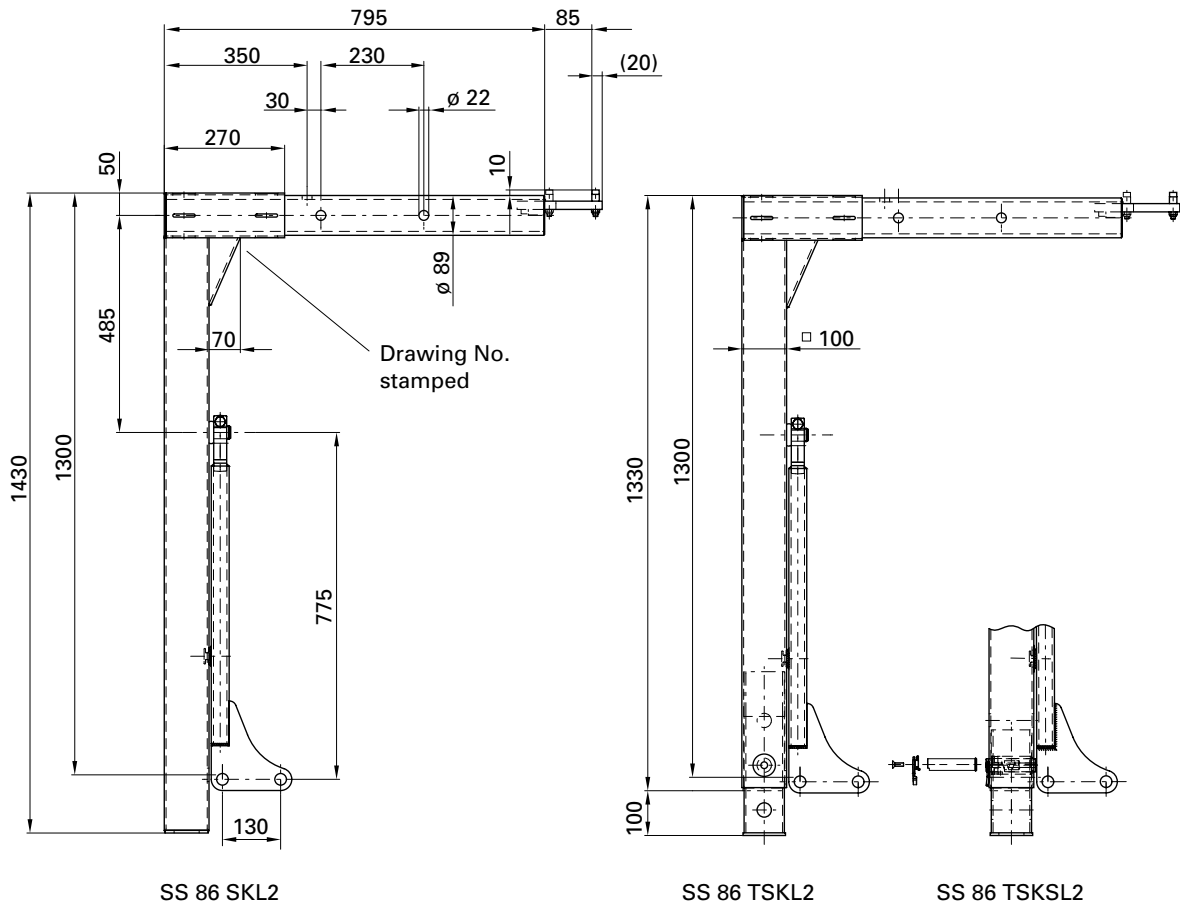
## Spare parts kit

Item	Description	Order No.
7, 8, 9, 10, 11	Spare parts kit for X-support	001.000.043
12,13,14	Spare parts kit for S-support	001.000.045

# SS 86, form A2

For swap bodies with a maximum gross weight of 18.000 kg

Dimensions pursuant to DIN EN 284, form A2, Federal Railways Certificate 629



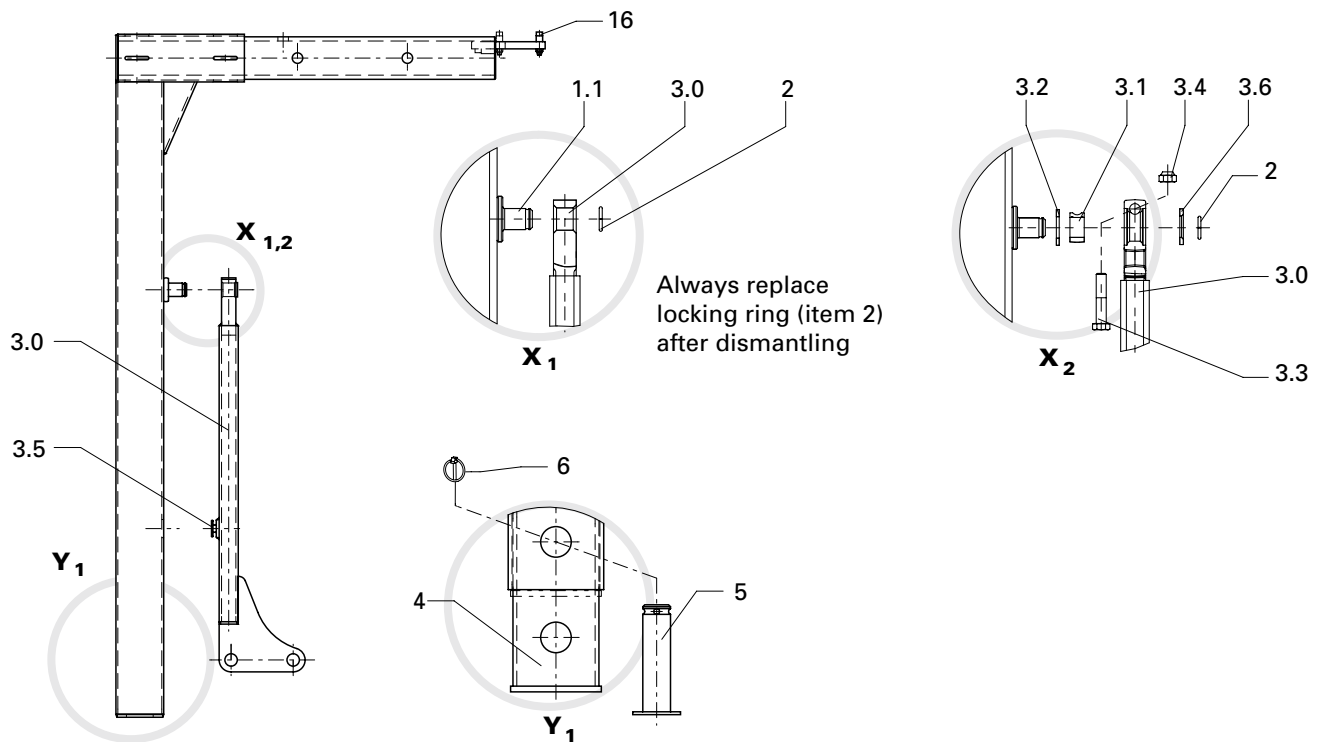
- SKL2** = Non telescopic with standard strut and sliding safety device (VAHS)
- SKBL2** = Non telescopic with safety strut / strut brake, hole for support hook and VAHS
- TSKL2** = Telescoping with standard strut, hole for support hook and VAHS
- TSKBL2** = Telescoping with safety strut, hole for support hook and VAHS
- TSKSL2** = Telescoping with undetachable telescopic part with hole for support hook and VAHS
- TSKSBL2** = Telescoping with undetachable telescopic part, safety strut / strut brake, with hole for support hook and VAHS

## Selection table / Available versions

Weight (kg)	Order No.	Drawing No.
37.0	SS 86 SKL2	640.499.000
37.0	SS 86 SKBL2	640.500.000
39.0	SS 86 TSKL2	640.503.000
39.0	SS 86 TSKBL2	640.504.000
40.0	SS 86 TSKSL2	642.483.000
40.0	SS 86 TKSBL2	642.484.000

# SS 86, form A2

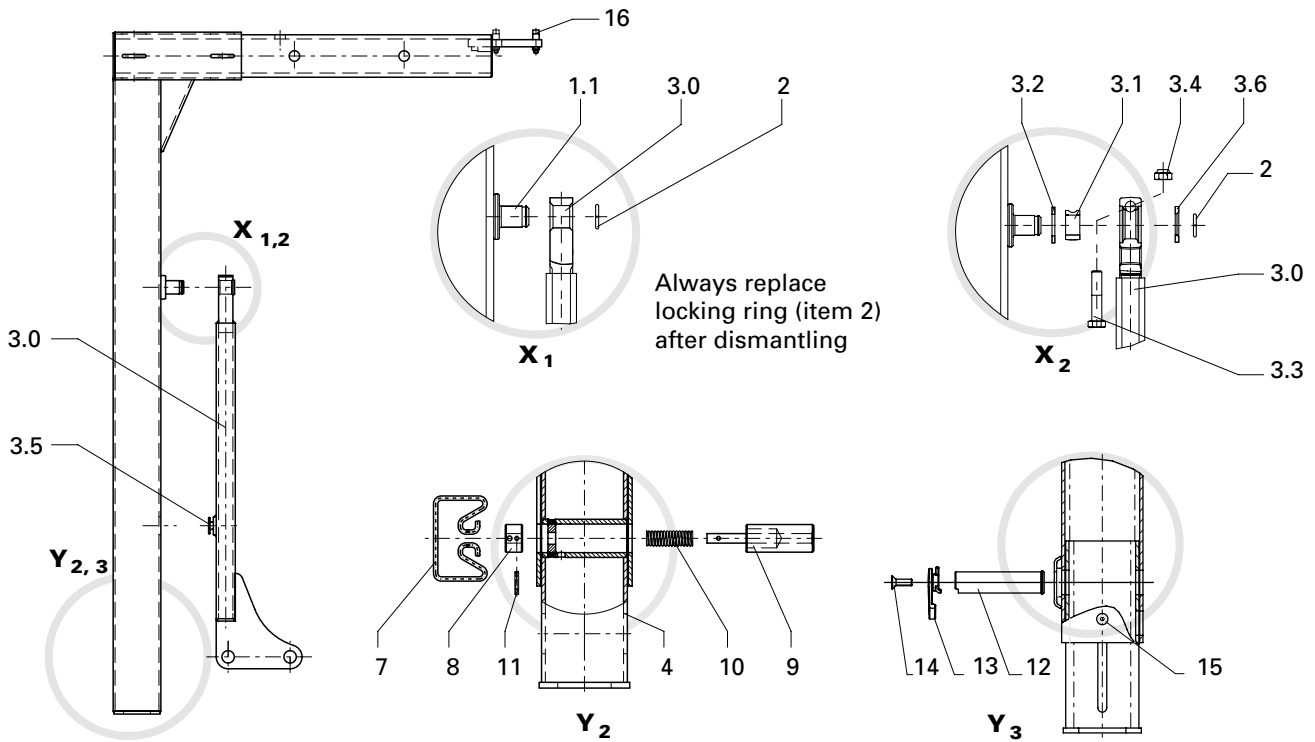
## Spare parts



Item.	Description	SS 86 SKL2	SS 86 SKBL2	SS 86 TSKL2	SS 86 TSKBL2
1.1	Strut bolt	640.000.040	640.000.040	640.000.040	640.000.040
2	Locking ring	645.003.008	645.003.008	645.003.008	645.003.008
3.0	Strut compl.	640.247.000	640.248.000	640.247.000	640.248.000
3.1	Clamping bush		640.159.002		640.159.002
3.2	Washer		000.006.013		000.006.013
3.3	Hexagon bolt M14x75		NT0026000		NT0026000
3.4	Hexagon bolt M14		000.002.012		000.002.012
3.5	Strut knob	640.004.007	640.004.007	640.004.007	640.004.007
3.6	Washer		640.159.003		640.159.003
4	Telescopic part			640.277.000	640.277.000
5	Pin			640.027.002	640.027.002
6	Linch pin			000.008.010	000.008.010
16	Locking parts without bearing	640.185.010	640.185.010	640.185.010	640.185.010

# SS 86, form A2

## Spare parts



Item.	Description	SS 86 TSKSL2	SS 86 TSKSBL2	SS 86 TSKXL2	SS 86 TSKXBL2
1.1	Strut bolt	640.000.040	640.000.040	640.000.040	640.000.040
2	Locking ring	645.003.008	645.003.008	645.003.008	645.003.008
3.0	Strut compl.	640.247.000	640.248.000	640.247.000	640.248.000
3.1	Clamping bush		640.159.002		640.159.002
3.2	Washer, inside		000.006.013		000.006.013
3.3	Hexagon bolt M14x75		NT0026000		NT0026000
3.4	Hexagon bolt M14		000.002.012		000.002.012
3.5	Strut knob	640.004.007	640.004.007	640.004.007	640.004.007
3.6	Washer, outside		640.159.003		640.159.003
4	Telescopic part	642.361.400	642.361.400	640.870.300	640.870.300
7	Spring handle			640.738.514	640.738.514
8	Support bolt head			640.738.515	640.738.515
9	Support bolt compl.			640.738.512	640.738.512
10	Compression springs			640.738.513	640.738.513
11	Clamping pin			000.003.021	000.003.021
12	Bolt	642.483.001	642.483.001		
13	Handle	640.000.045	640.000.045		
14	Countersunk bolt M8x25	NT0048000	NT0048000		
15	Bolt M8x12	NT0056900	NT0056900		
16	Locking parts without bearing	640.185.010	640.185.010	640.185.010	640.185.010
17	Locking parts with bearing	640.185.000	640.185.000	640.185.000	640.185.000

## Spare parts kit

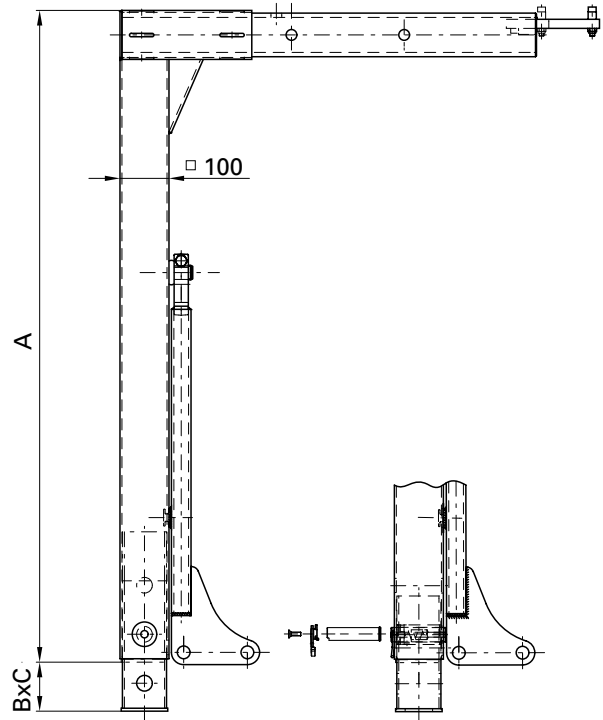
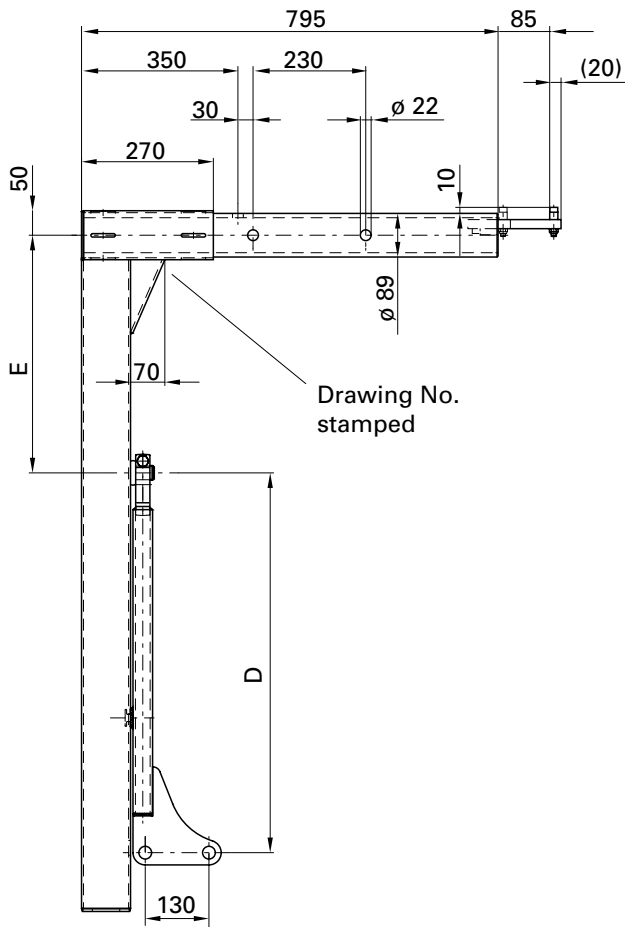
Item.	Description	Order No.
7, 8, 9, 10, 11	Spare parts kit for X-support	001.000.043
12, 13, 14	Spare parts kit for S-support	001.000.045



# SS 86, form A2

For volume containers up to a maximum gross weight of 18.000 kg

Dimensions comply with/similar to DIN EN 284, form A2



SS 86 TSK2

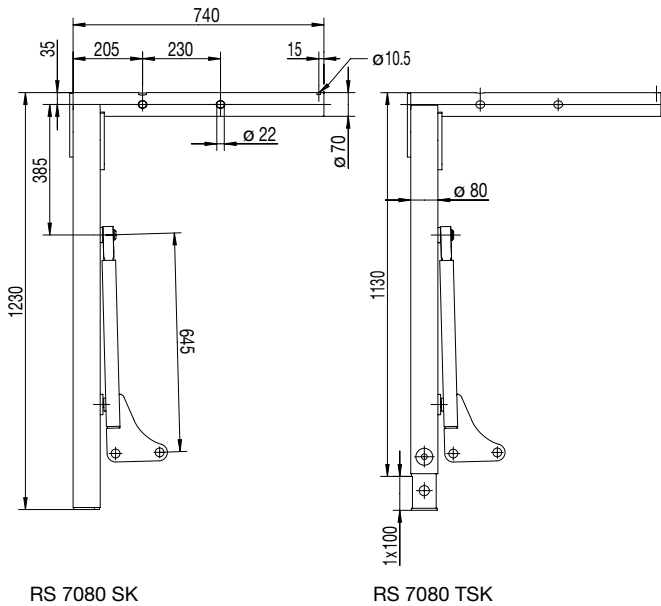
SS 86 TSKS2

## Selection table / Available versions

Weight (kg)	Order No.	Drawing No.	A (mm)	BxC (mm)	D (mm)	E (mm)
40.0	SS 86TSKS2003	642.553.000	1130	6x50	775	485
41.0	SS 86TSKS2004	642.554.000	1080	7x50	775	485
41.0	SS 86TSK2049	641.197.000	1080	7x50	775	485
38.0	SS 86TSKS2006	642.556.000	930	6x50	560	345
38.0	SS 86TSK2072	641.556.000	930	6x50	560	345

# RS 7080

For swap bodies with a maximum gross weight of 6.000 kg

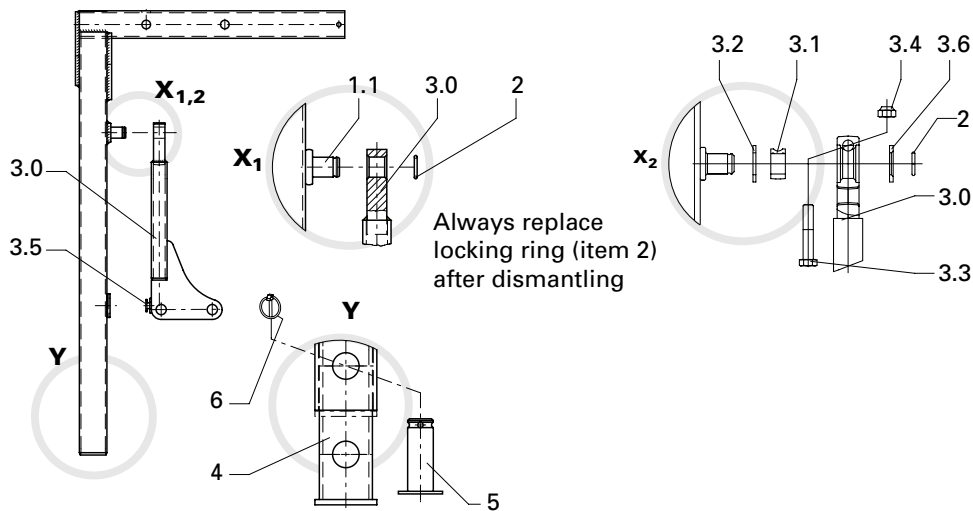


- SK** = Non telescopic with standard strut
- SKB** = Non telescopic with safety strut/strut brake
- TSK** = Telescoping (1x100) with standard strut
- TSKB** = Telescoping (1x100) with safety strut/strut brake

## Selection table / Available versions

Weight (kg)	Order No.	Drawing No.
25.5	RS 7080 SK	641.206.000
25.5	RS 7080 SKB	641.207.000
27.0	RS 7080 TSK	641.208.000
27.0	RS 7080 TSKB	641.209.000

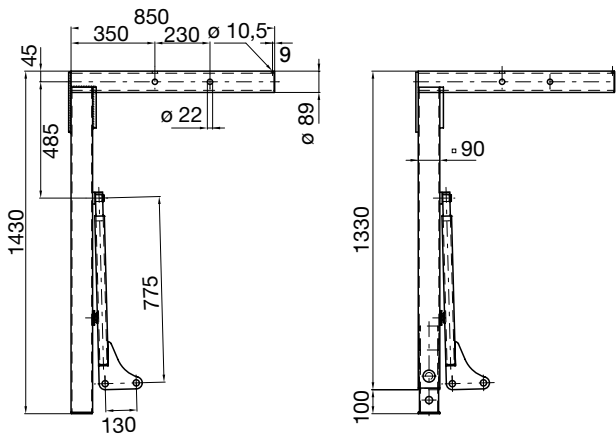
## Spare parts



Item.	Description	RS 7080 SK	RS 7080 SKB	RS 7080 TSK	RS 7080 TSKB
1.1	Strut bolt	640.104.002	640.104.002	640.104.002	640.104.002
2	Locking ring	645.003.008	645.003.008	645.003.008	645.003.008
3.0	Strut compl.	640.409.300	641.209.200	640.409.300	641.209.200
3.1	Clamping bush		640.159.002		640.159.002
3.2	Washer		000.006.013		000.006.013
3.3	Hexagon bolt M14x75		NT0026000		NT0026000
3.4	Hexagon bolt M14		000.002.012		000.002.012
3.5	Strut knob	640.004.007	640.004.007	640.004.007	640.004.007
3.6	Washer		640.159.003		640.159.003
4	Telescopic part		640.076.006	640.076.006	
5	Pin		640.076.007	640.076.007	
6	Linch pin		000.008.010	000.008.010	

# RS 7090

For swap bodies with a maximum gross weight of 10.000 kg



RS 7090 SK

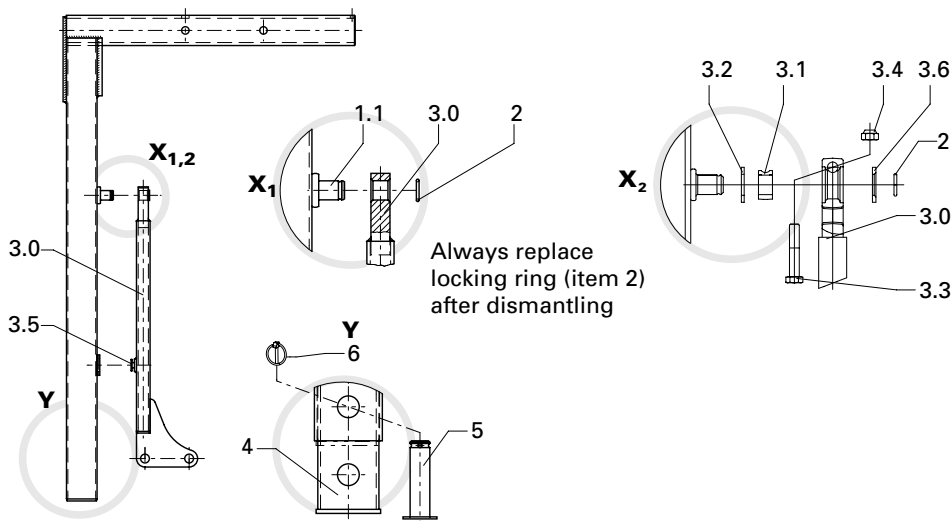
RS 7090 TSK

- SK** = Non telescopic with standard strut
- SKB** = Non telescopic with safety strut/strut brake
- TSK** = Telescoping (1x100) with standard strut
- TSKB** = Telescoping (1x100) with safety strut/strut brake

## Selection table / Available versions

Weight (kg)	Order No.	Drawing No.
36.0	RS 7090 SK	640.071.000
36.0	RS 7090 SKB	640.214.000
37.5	RS 7090 TSK	640.075.000
37.5	RS 7090 TSKB	640.215.000

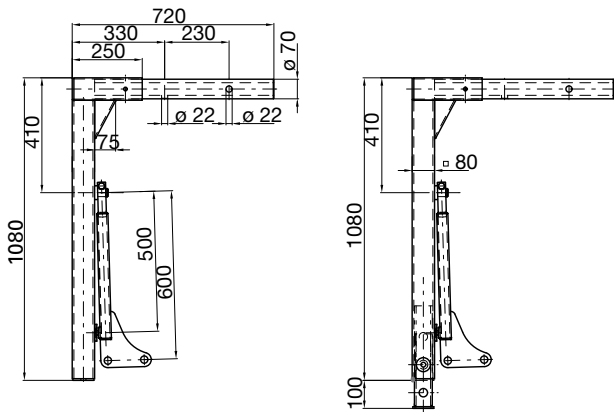
## Spare parts



Item.	Description	RS 7090 SK	RS 7090 SKB	RS 7090 TSK	RS 7090 TSKB
1.1	Strut bolt	640.104.002	640.104.002	640.104.002	640.104.002
2	Locking ring	645.003.008	645.003.008	645.003.008	645.003.008
3.0	Strut compl.	640.247.000	640.248.000	640.247.000	640.248.000
3.1	Clamping bush		640.159.002		640.159.002
3.2	Washer		000.006.013		000.006.013
3.3	Hexagon bolt M14x75		NT0026000		NT0026000
3.4	Hexagon bolt M14		000.002.012		000.002.012
3.5	Strut knob	640.004.007	640.004.007	640.004.007	640.004.007
3.6	Washer		640.159.003		640.159.003
4	Telescopic part		640.075.006	640.075.006	
5	Pin		640.075.007	640.075.007	
6	Linch pin		000.008.010	000.008.010	

# RS 7100

For swap bodies with a maximum gross weight of 16,000 kg and low frame height (Jumbo containers)



RS 7100 SVB

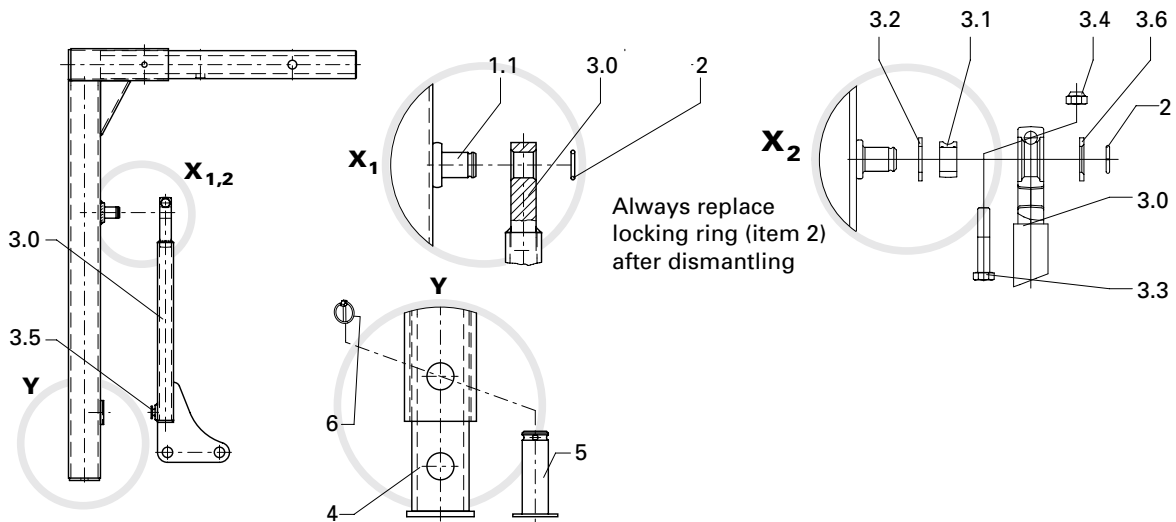
RS 7100 TSVB

- SVS** = Non telescopic, without brake
- SVB** = Non telescopic with safety strut/strut brake
- TSVS** = Telescopic (1x100), without brake
- TSVB** = Telescopic (1x100) with safety strut/strut brake

## Selection table / Available versions

Weight (kg)	Order No.	Drawing No.
36.5	RS 7100 SVS	641.930.000
36.5	RS 7100 SVB	641.213.000
38.0	RS 7100 TSVS	641.931.000
38.0	RS 7100 TSVB	641.214.000

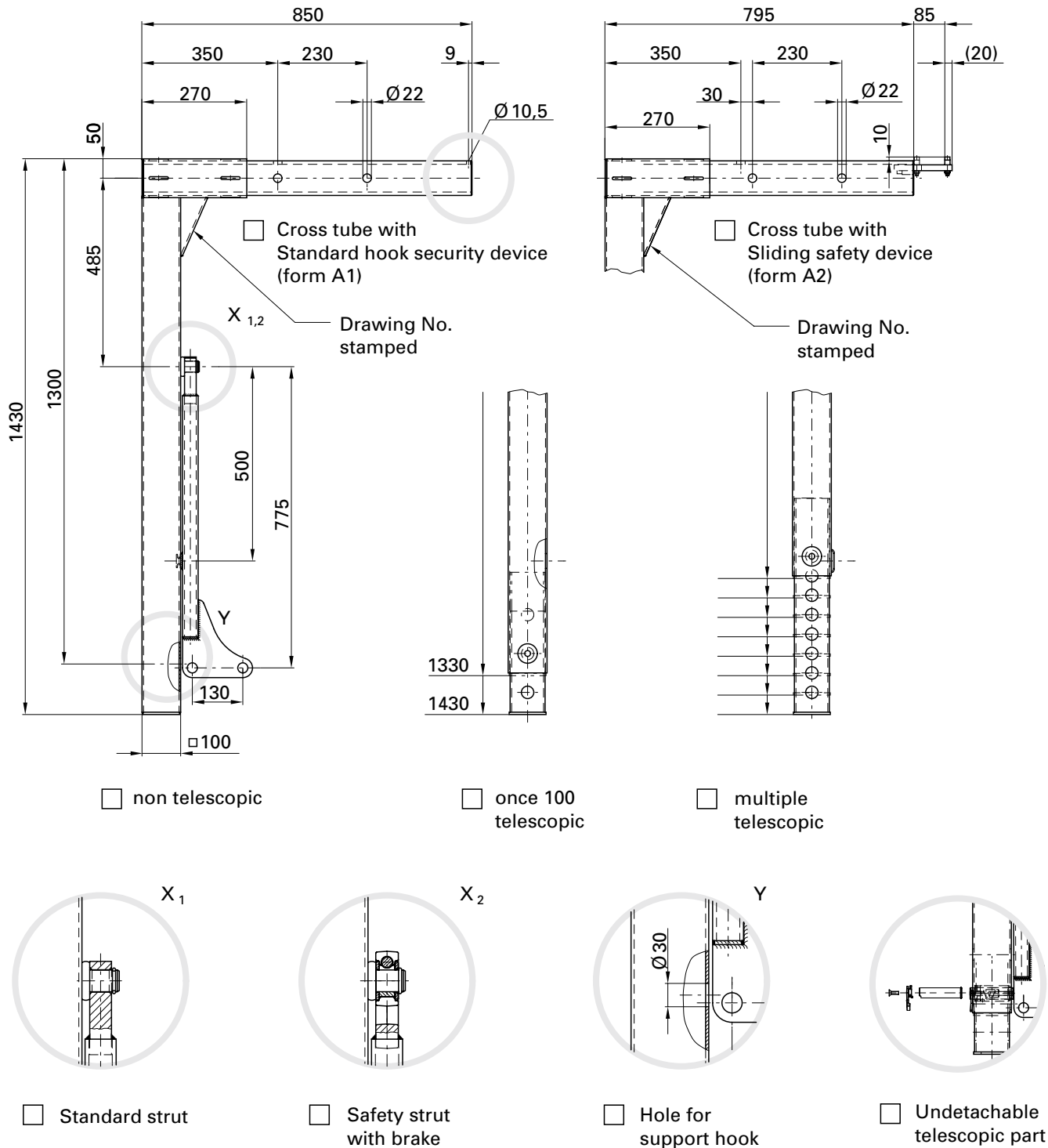
## Spare parts



Item.	Description	RS 7100 SVS	RS 7100 SVB	RS 7100 TSVS	RS 7100 TSVB
1.1	Strut bolt	640.104.002	640.104.002	640.104.002	640.104.002
2	Locking ring	645.003.008	645.003.008	645.003.008	645.003.008
3.0	Strut compl. (RS 7080)	640.285.200	640.243.200	640.285.200	640.243.200
3.1	Clamping bush		640.159.002		640.159.002
3.2	Washer		000.006.013		000.006.013
3.3	Hexagon bolt M14x75		NT0026000		NT0026000
3.4	Hexagon bolt M14		000.002.012		000.002.012
3.5	Strut knob	640.004.007	640.004.007	640.004.007	640.004.007
3.6	Washer		640.159.003		640.159.003
4	Telescopic part		640.181.300	640.181.300	
5	Pin		640.076.007	640.076.007	
6	Linch pin		000.008.010	000.008.010	

# Special versions: Supports to order

Support for swap bodies with a max. weight of up to 18.000 kg



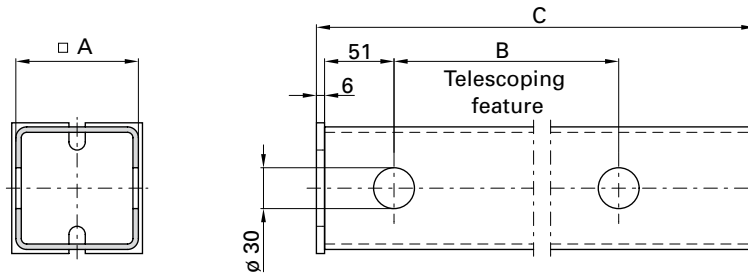
Type definition of a support for swap bodies with a max. weight of up to 18.000 kg

Procedure:

- Existing version: If you cannot find a stamped drawing number, measure the dimensions shown on the drawing and enter the dimensions on the form.
- New versions: If you cannot find a suitable standard support cross the required sections and enter your dimensions on the form.
- Send, fax or e-mail the form to JOST.

# Telescopic part (standard)

For telescopic supports with bolt extension.

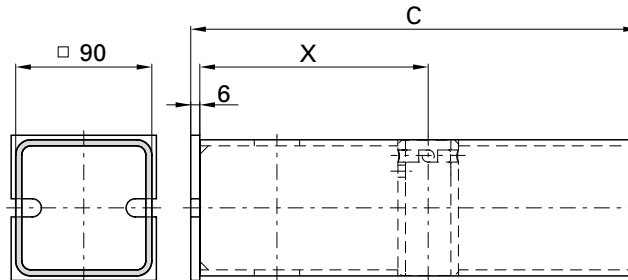


## Selection table / Available versions

B (mm)	C (mm)	SS 86 (A 90 mm)	RS 7090 (A 80 mm)	RS 7080 (A 70 mm)	RS 7100 (A 60 mm)
1 x 100	236	640.277.000	640.075.006	640.076.006	640.181.300
2 x 100	406	640.192.000	640.520.300		
3 x 100	506	640.349.200	640.691.300	640.491.200	
4 x 100	606	640.286.300			
2 x 50	236	640.665.300	640.257.300	640.924.300	640.509.300
4 x 50	406	640.288.200	640.584.300		
5 x 50	456	640.282.200	641.034.300		
6 x 50	506	640.261.200	640.290.200		641.042.300
7 x 50	556	640.430.300			640.898.300
8 x 50	606	640.523.300			

# Undetachable telescopic part

For telescopic supports with undetachable SS 86TSKK series telescope.

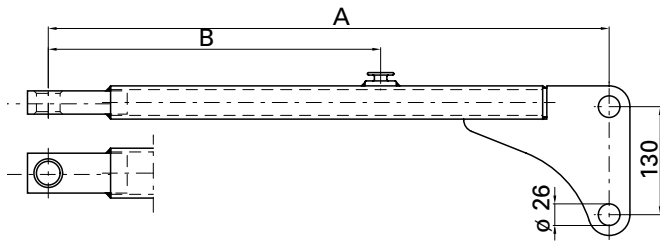


## Selection table / Available versions

C (mm)	X (mm)	telescoping feature (mm)	Step length (mm)	Order No.
236	151	100	2 x 50	640.738.300
236	151	100	1 x 100	640.738.300
236	171	100	2 x 50*	640.787.300
236	171	100	1 x 100*	640.787.300
406	251	200	4 x 50	640.737.300
406	251	200	2 x 100	640.737.300
456	301	250	5 x 50	641.144.300
506	351	300	6 x 50	640.862.300
506	351	300	3 x 100	640.862.300
556	401	350	7 x 50	640.968.300
606	451	400	8 x 50	640.911.300
606	451	400	4 x 100	640.911.300

\* (with hole for support hook)

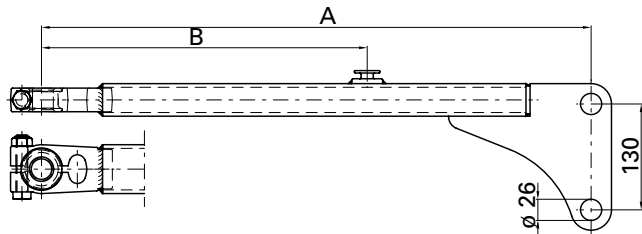
# Standard strut



## Selection table / Available versions

A (mm)	B (mm)	Order No.
560	450	641.262.200
600	500	640.285.200
600	400	641.446.200
630	500	640.295.200
645	500	640.409.300
650	500	640.210.200
700	500	640.374.200
775	450	640.308.200
775	500	640.247.000

# Safety strut / Strut brake

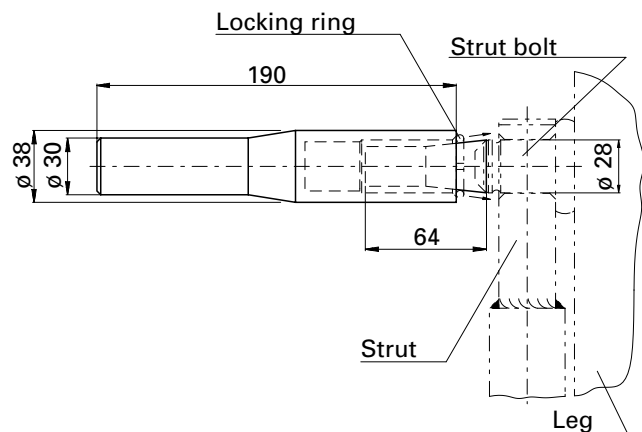


## Selection table / Available versions

A (mm)	B (mm)	Order No.
600	500	640.243.200
650	500	640.257.200
775	450	640.286.200
775	500	640.248.000

# Installation tool for locking rings

The installation tools are used to secure the struts on the strut pivot pins.



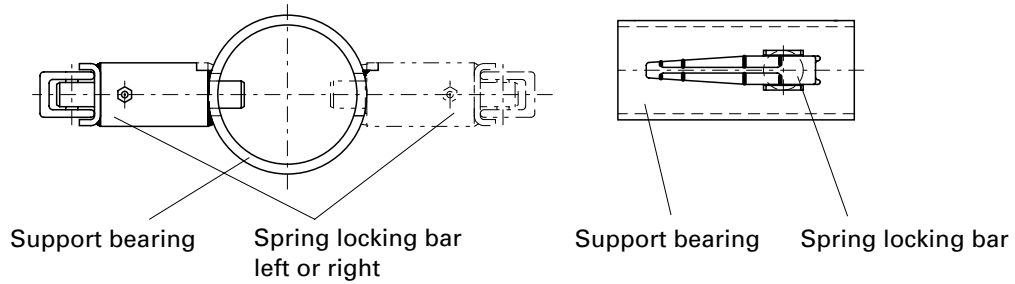
MW 28  
for strut pivot pins

## Auswahltabelle / lieferbare Ausführungen

Application	Weight (kg)	Order No.
Strut pivot pins	1.2	640.000.001

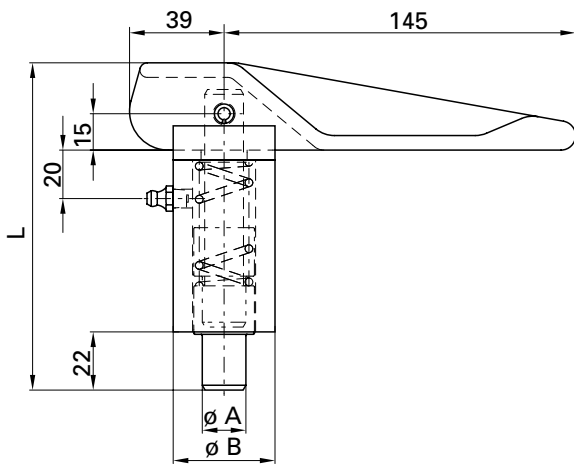
# Support bearing and spring locking bar

The support bearing welded to the container is connected to the support tube for the support leg. The spring locking bar locks the support tube in the support bearing. When the spring locking bar is opened the support leg can be folded in or out.



The spring locking bar can be installed on the left or right.

## Spring locking bar

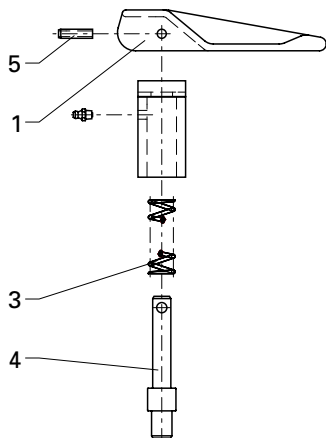


Condition at delivery spring locking bar:  
 Housing raw  
 Bolt, spring and handle mounting parts galvanised

### Selection table / Available versions

A (mm)	L (mm)	$\varnothing B$ (mm)	Weight (kg)	Version	Spring locking bar	Bolt
16	133	42	1.2	FS 97	640.216.000	645.216.016
18	133	42	1.2	FS 97	640.218.000	645.218.018
18	313	42	3.0	FS 97	640.995.200	645.995.201
20	133	42	1.2	FS 97	640.220.000	645.220.020
20	233	42	2.3	FS 97	641.150.000	645.150.001
20	298	42	2.8	FS 97	641.385.000	645.385.001
20	463	42	4.5	FS 97	641.297.000	645.297.001
25	133	42	1.2	FS 97	640.225.000	645.225.025
30	133	42	1.2	FS 97	640.230.000	645.230.030
32	133	50	1.5	FS 98	640.332.000	645.332.032
32	163	50	1.7	FS 98	641.120.000	645.120.001
35	133	50	1.5	FS 98	640.335.000	645.335.035
35	163	50	1.7	FS 98	642.165.000	645.165.001
42	133	50	1.5	FS 98	640.342.000	645.342.042

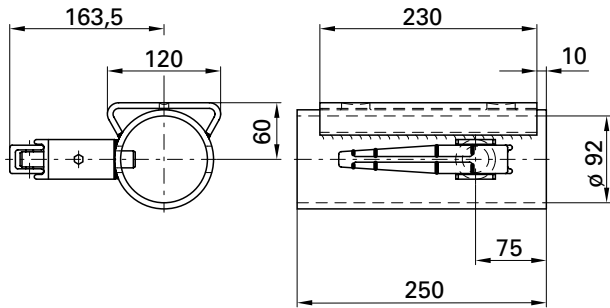
### Spare parts



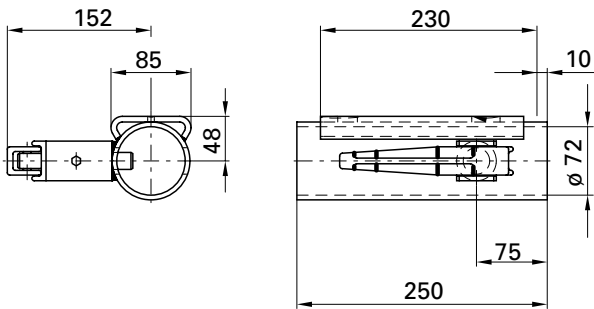
Item.	Description	Order No.
1	Handle	645.001.008
3	Spring	645.001.021
4	Bolt see above	
5	Clamping sleeve	000.003.009



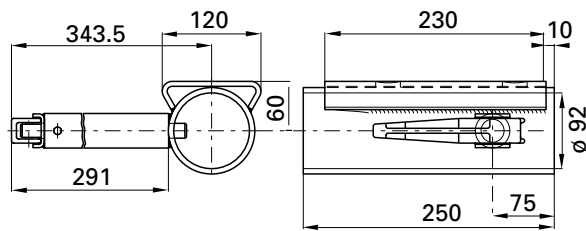
# Support bearing



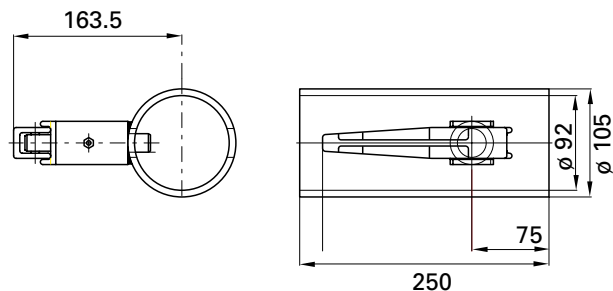
TS 93 SNL



TS 7350L



TS 93 SNL-11



TS 93 SN-01

## Selection table / Available versions

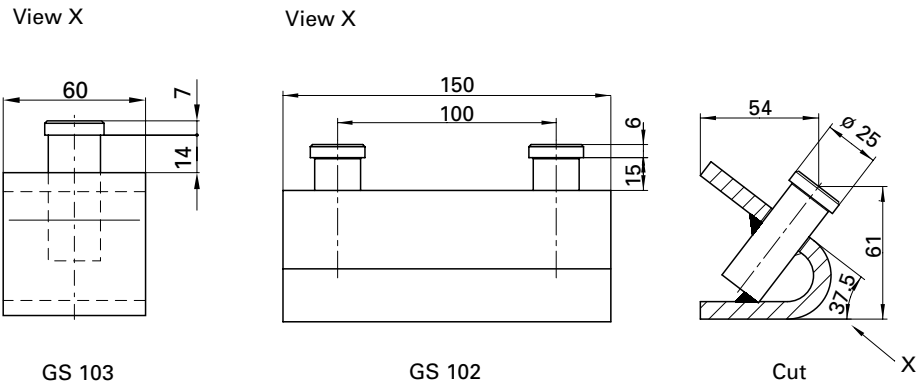
Application	Weight (kg)	Order No.	Drawing No.
RS 7090, SS 86, RS 1025	7.0	TS 93 SNR	640.116.010
RS 7090, SS 86, RS 1025	7.0	TS 93 SNL	640.116.020
RS 7090, SS 86, RS 1025	5.5	TS 93 SN-01	640.255.000
RS 7090, SS 86, RS 1025	9.0	TS 93 SNR-11	640.995.010
RS 7090, SS 86, RS 1025	9.0	TS 93 SNL-11	640.995.020
RS 7080, RS 7100	5.5	TS 7350 R	640.073.010
RS 7080, RS 7100	5.5	TS 7350 L	640.073.020
RS 1230	17.5	TS 120 FR*	640.039.010
RS 1230	17.5	TS 120 FL*	640.039.020

\* more information on request

Note: An L/R appended to the Order No. indicates whether the control side is on the right or left.

All support bearings have a bolt diameter of 18 mm.  
All support bearings are delivered raw.

# Outer bearing



## Selection table / Available versions

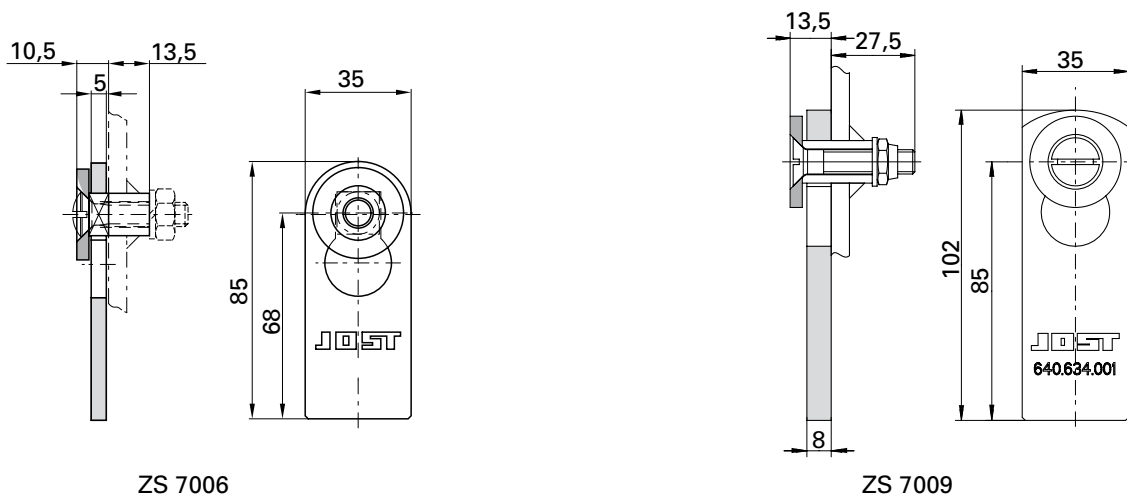
Order No.	Drawing No.	Weight (kg)
GS 102	640.001.099	1.0
GS 103	640.001.086	0.7
GS 103 V*	640.001.097	0.7

\* for RS 1230; more information on request

All counter bearings are delivered raw.

# Second safety device

In addition to mounting in the support bearing or support hook, secures the support legs when they are not in use.



## Selection table / Available versions

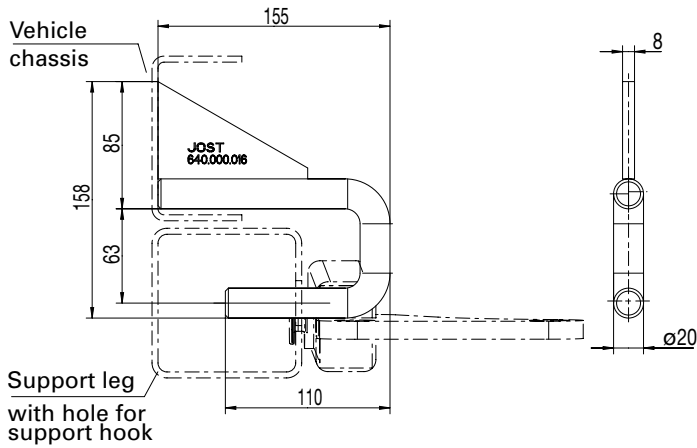
Version	Weight (kg)	Order No.	Drawing No.
with guide, without screw connection	0.12	ZS 7006	640.126.000
with guide, with screw connection	0.4	ZS 7009	640.885.000

Latch galvanised

# Support hook and support bearing

The support hook and support bearing are welded to the swap body frame. They are used to mount the support legs when they are not in use. A hole with a diameter of 30 mm is required in the support leg for this purpose if the support hook is used.

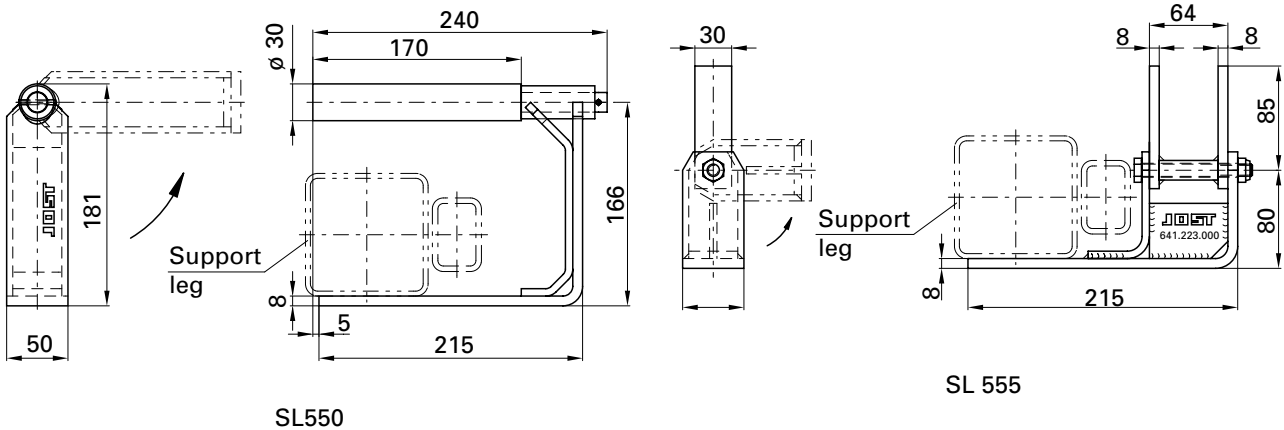
## Support hook



### Selection table / Available versions

Weight (kg)	Drawing No.
0.9	640.000.016

## Support bearing



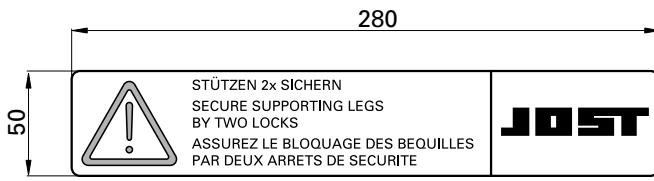
### Selection table / Available versions

Weight (kg)	Order No.	Drawing No.
2.7	SL 550	640.771.000
1.8	SL 555	641.223.000

Support hooks and support bearings are delivered raw.

# Information plates

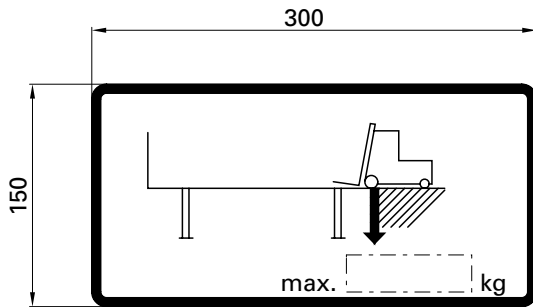
Standard EN 284 demands that information plates be attached to class C swap bodies in the positions provided for them. The information plates are made of self-adhesive foil and are two-tone (black and yellow) on a white background.



Information plate: Secure support legs by two locks pursuant to EN 284

## Selection table

Description	Order No.
Information plate: Secure support legs by two locks with EN 284	640.000.002
Information plate: Forklift axle load with EN 284	640.000.030



Information plate: Forklift axle load pursuant to EN 284





# Corner castings

They are welded to the swap body or container. The corner castings are used to connect the container to the vehicle or trailer.

## Product range

Freight container	Swap body B = 2500	Swap body B = 2550	Intermodal platform B = 2500	Intermodal platform B = 2550	Swap body EN 13853	Special construction	Double opening	Width x Height x Depth (mm)	Distance base plate - cable eyelet opening (mm)	S = sheet steel housing G = cast housing	Weight (kg)	Standard	certificate comparable with 3.2 in accordance with EN 10204	Order No.	Drawing No.	Figure see page ...
•								178x118x162	28,5	G	11.0	ISO 1161	•	CC 297 TL	905.297.000	31
•								178x118x162	28,5	G	11.0		•	CC 298 TR	905.298.000	31
•								178x118x162	28,5	G	11.0		•	CC 299 BL	905.299.000	31
•								178x118x162	28,5	G	11.0		•	CC 300 BR	905.300.000	31
	•							180x112x188	20,0	G	9.5	~EN 284		CC 195	905.195.000	32
		•						180x117x220	28,5	G	10.9	EN 284		CC 463	905.463.101	32
			•					180x112x212	28,5	G	10.9			CC 712	905.712.101	32
					•			330x112x212	28,5	G	17.9			CC 709	905.709.101	32
				•				180x117x192	28,5	S	8.5	~EN 284		CW 7454	905.454.000	33
								180x112x172	20,0	G	8.2			CC 397	905.397.101	33
						•		130x 80x120	17,0	G	4.0			CC 012*	905.074.000	35
						•		180x 20x120		G	2.2			CC 320	640.001.055	35
					•			160x115x175	20,0	G	10.3	EN 13853		CC 556 TL 1	905.556.211	34
					•			160x115x175	20,0	G	10.3			CC 556 TR 1	905.556.221	34

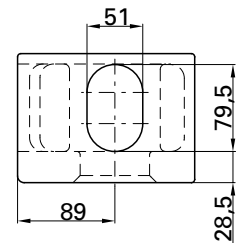
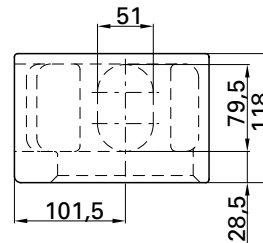
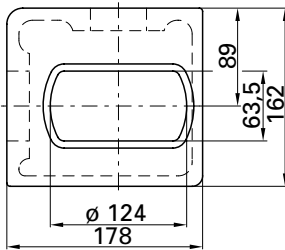
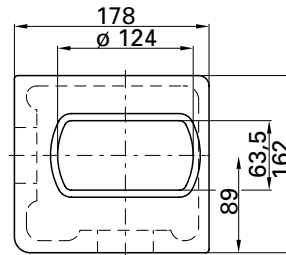
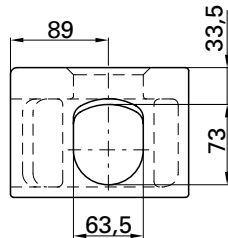
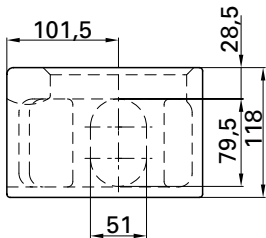
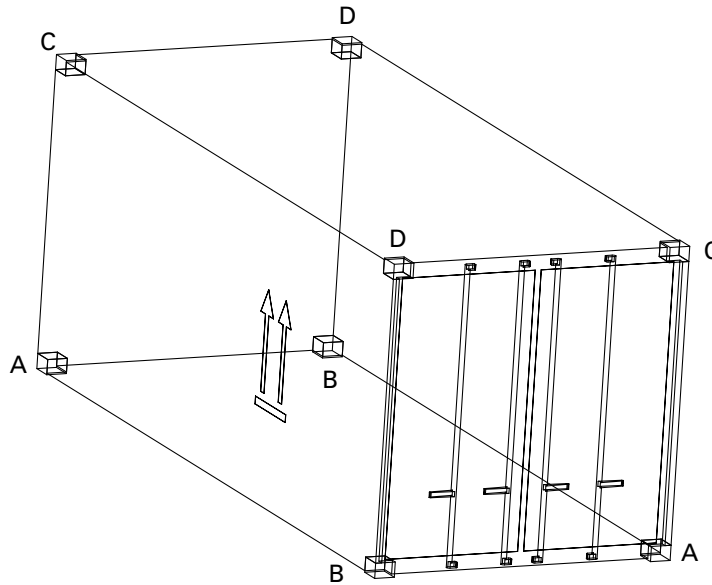
\* Base opening does not conform to ISO. Can only be used with twist locks F 10 and VA 11.

~ similar to EN 284

pecial versions with other dimensions are available on request.

ISO corner castings are primed in grey, all other corner castings are delivered raw.

# For freight containers that comply with ISO 1161



CC 297 TL

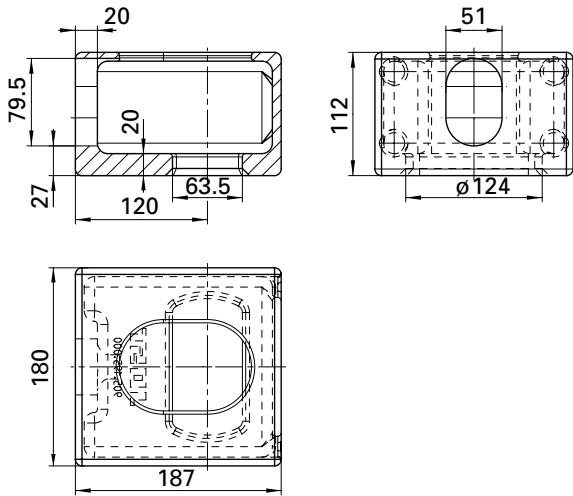
CC 299 BL

**Use:** Freight containers and similar bodies with acceptance test certificate comparable with 3.2 in accordance with EN 10204 (please specify requirement in the order).

## Selection table / Available versions

Material	Standard	Item	Weight (kg)	Order No.	Drawing No.
Cast steel	ISO 1161	D	11.0	CC 297 TL	905.297.000
Cast steel	ISO 1161	C	11.0	CC 298 TR	905.298.000
Cast steel	ISO 1161	B	11.0	CC 299 BL	905.299.000
Cast steel	ISO 1161	A	11.0	CC 300 BR	905.300.000

# For swap bodies with a vehicle width of 2500 mm

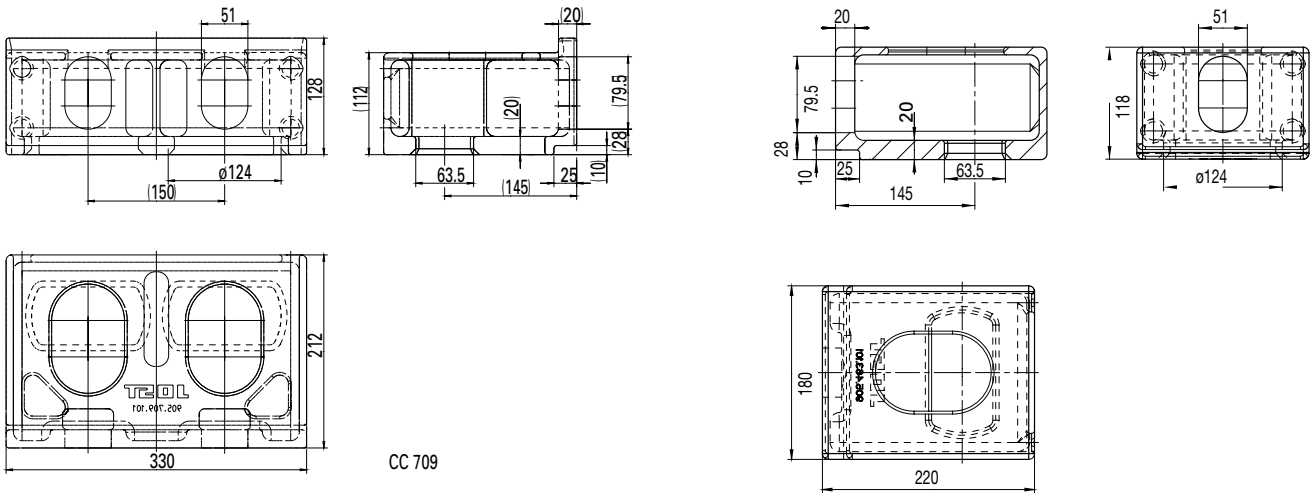


CC 195

## Selection table / Available versions

Material	Standard	Weight (kg)	Order No.	Drawing No.
Cast steel	~EN 284	9.5	CC 195	905.195.000

# For swap bodies with a vehicle width of 2550 mm



CC 709

CC 463

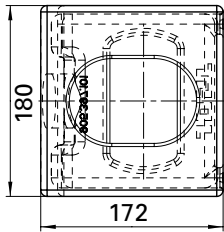
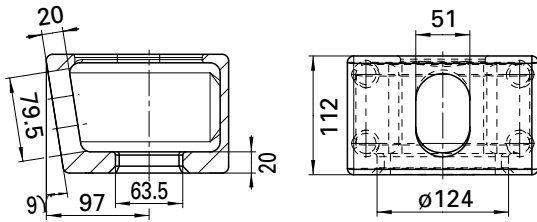
## Selection table / Available versions

Material	Standard	Weight (kg)	Order No.	Drawing No.
Cast steel	EN 284	10.9	CC 463	905.463.101
Cast steel	EN 284	10.9	CC 712	905.712.101
Cast steel	EN 284	17.9	CC 709	905.709.101

CC 712



# For intermodal platforms with a vehicle width of 2500 mm

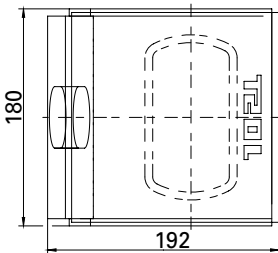
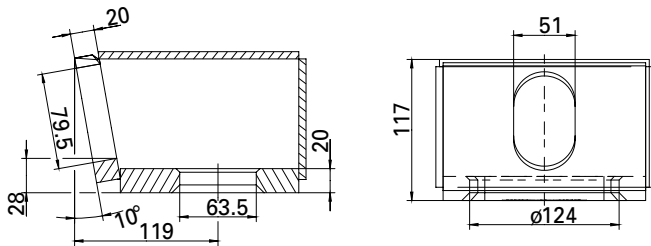


CC 397

## Selection table / Available versions

Material	Standard	Weight (kg)	Order No.	Drawing No.
Cast steel	~EN 284	8.2	CC 397	905.397.101

# For intermodal platforms with a vehicle width of 2550 mm

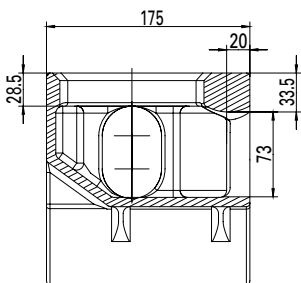
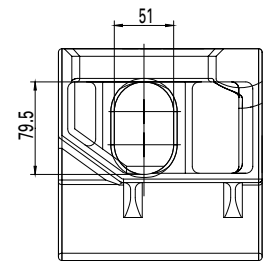
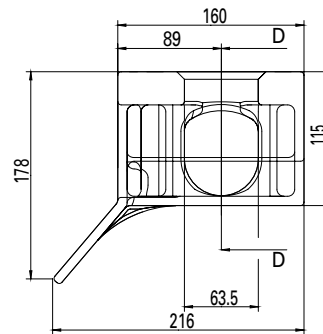
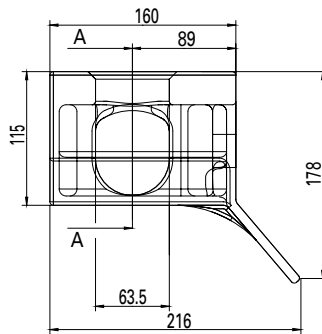
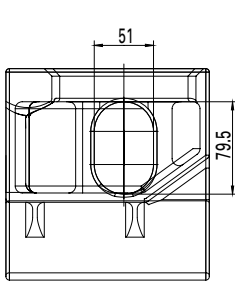
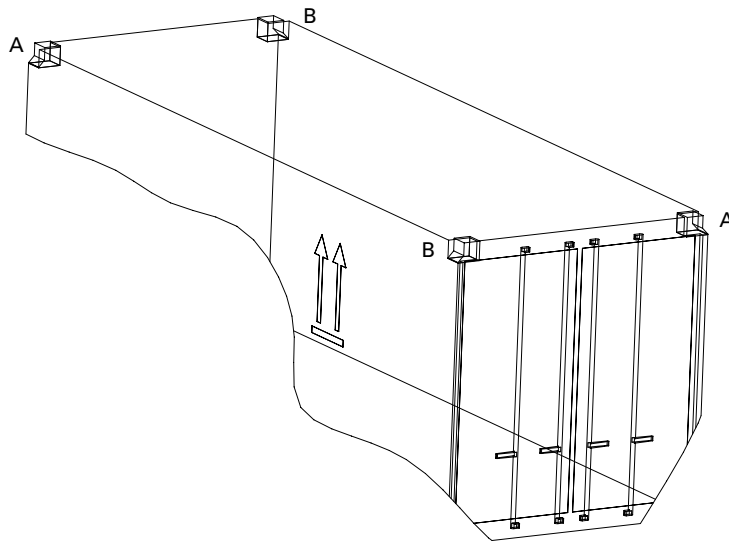


CW 7454

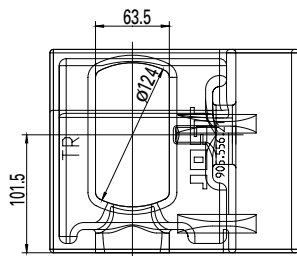
## Selection table / Available versions

Material	Standard	Weight (kg)	Order No.	Drawing No.
Sheet steel casing	~EN 284	9.0	CW 7454	905.454.000

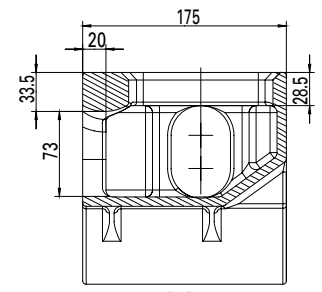
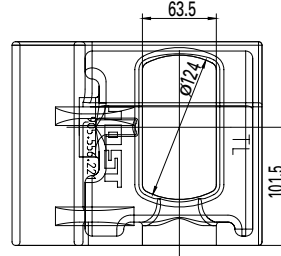
# For stackable swap body conforming to EN 13853



A-A



CC 556 TR 1



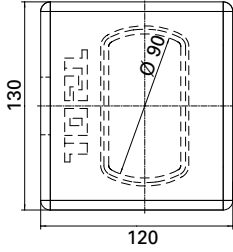
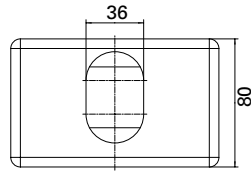
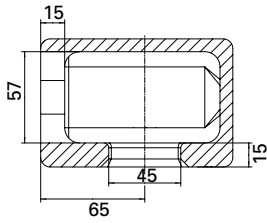
D-D

CC 556 TL 1

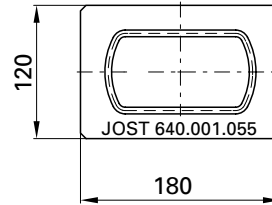
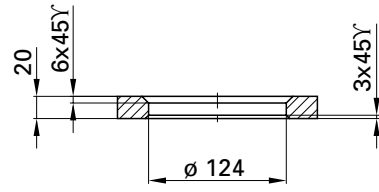
## Selection table / Available versions

Material	Standard	Item	Weight (kg)	Order No.	Drawing No.
Cast steel	EN 13853	A	10.3	CC 556 TR1	905.556.211
Cast steel	EN 13853	B	10.3	CC 556 TL1	905.556.221

# For special constructions



CC 012



CC 320

Use:

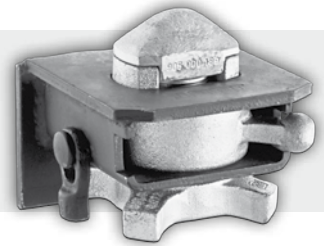
**CC 012** - Container with a max. width of 2390 mm; only possible with twist locks F 10 SK and VA 11 SK

**CC 320** - Special intermodal bodies and containers

## Selection table / Available versions

Material	Weight (kg)	Order No.	Drawing No.
Cast steel	4.0	CC 012	905.074.000
Cast steel	2.2	CC 320	640.001.055

# Twist locks



Flexibility, compatibility, stability and safety are the basic parameters for a future-oriented motor pool. JOST ensures that these parameters can be satisfied with its international quality standards and a global sales and after sales service network.

Twist locks connect containers to the carrier vehicle. The twist locks must always be used as set out in the instructions in the operating manual for the relevant vehicle. In Germany you must comply with the TÜV regulations and the Road Traffic Act StVZO, as well as the existing standards.

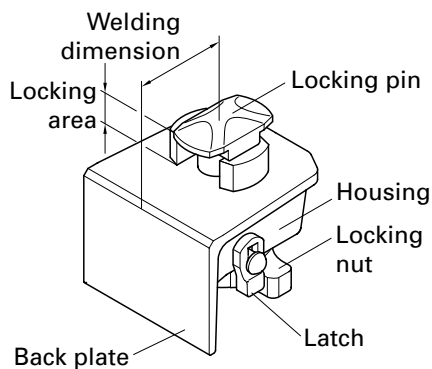
## Twist locks

### Condition at delivery twist locks

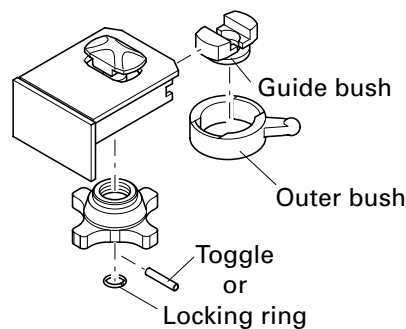
- The lock kit casings are primed.
- The innerparts of the twist locks are galvanised.
- Lock kits are delivered mounted.
- Possible differences are shown in the dimension sheet

### Versions and mounting parts twist locks

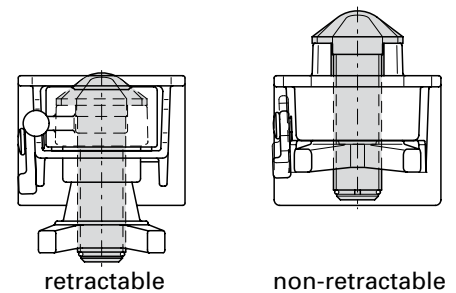
As a main distinguishing feature twist locks either can be lowered or cannot be lowered.



Structure of an twist lock



Individual parts of an twist lock



Retractable and a non-retractable twist lock

## Load details for twist locks and bolsters

The basis for the load details is provided by static test bench tests that comply with the JOST testing standard.

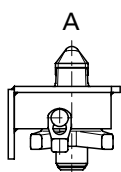
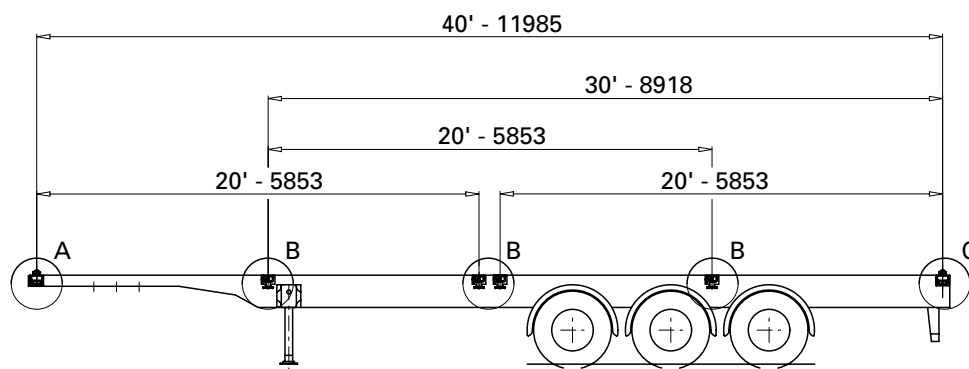
The details for the maximum gross container weight only apply:

- For securing and transporting standard containers, such as freight containers that comply with ISO 1496, interchangeable containers that comply with EN 284 or EN 452 or directly comparable versions.
- If at least four twist locks of the same load group are used for each container.
- For almost uniform load distribution (load in the interchangeable container).
- For transport on metalled roads.

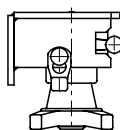
The details for the maximum gross container weight do not apply:

- To special applications, such as crane bodies, tipping containers, etc.

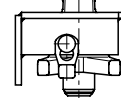
# Twist locks on the standard container chassis



B



C



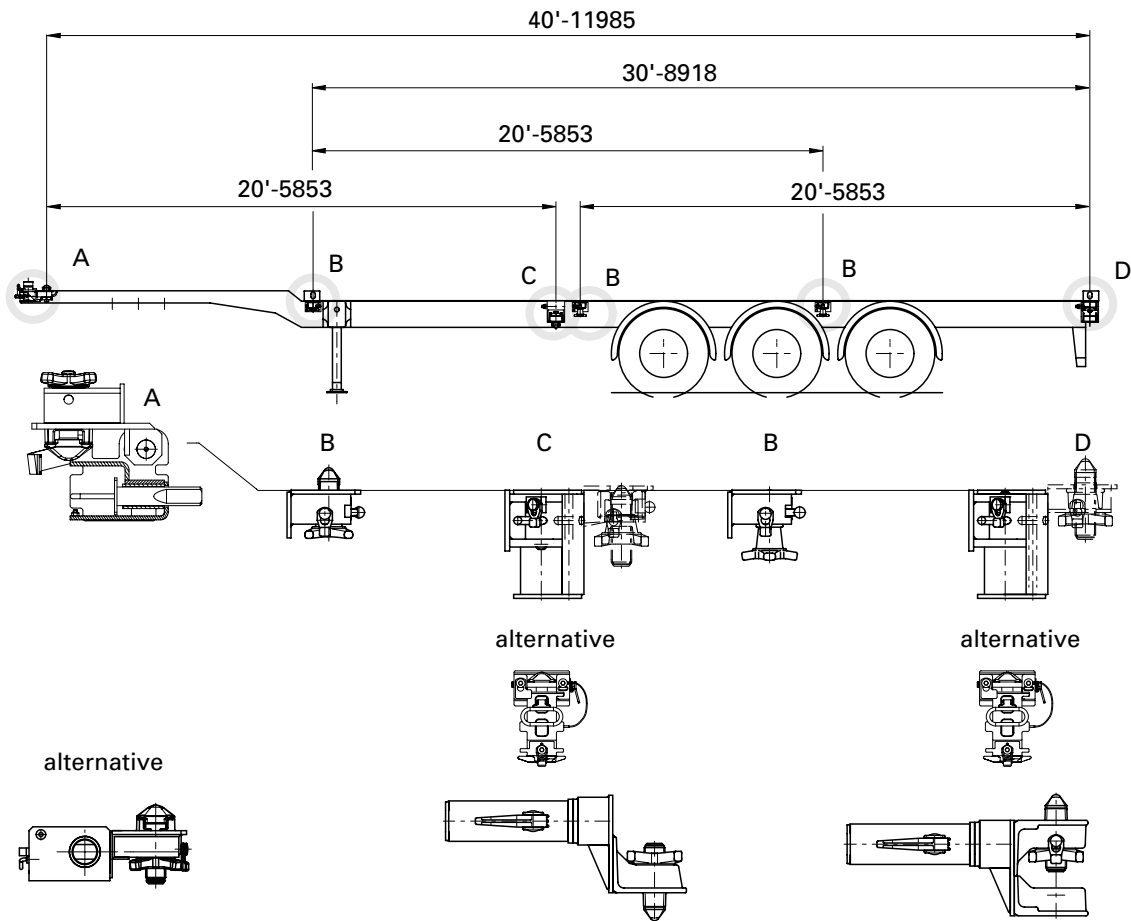
Installation examples for standard container chassis

## Selection table / recommended versions

Item	Versions	Order No.	Page
A / C	non retractable	F 02 SK-R	45
	twist locks	R 402 F-R	46
		R 434 F	50
A		F 17 SKA-70 V*	52
		R 408 F*	51
B	retractable	VA 01 SK	55
	twist locks	R 401 VAK	54
		R 436 VAK	61
		R 406 VAK-C*	57

\* for adverse installation conditions

# Twist locks on the gooseneck chassis



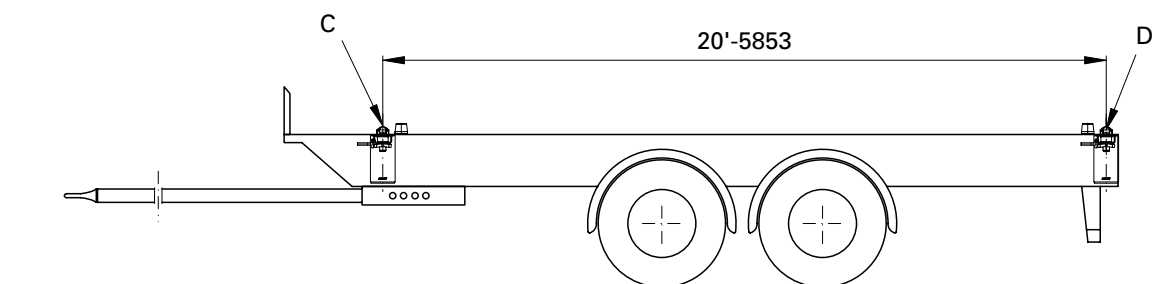
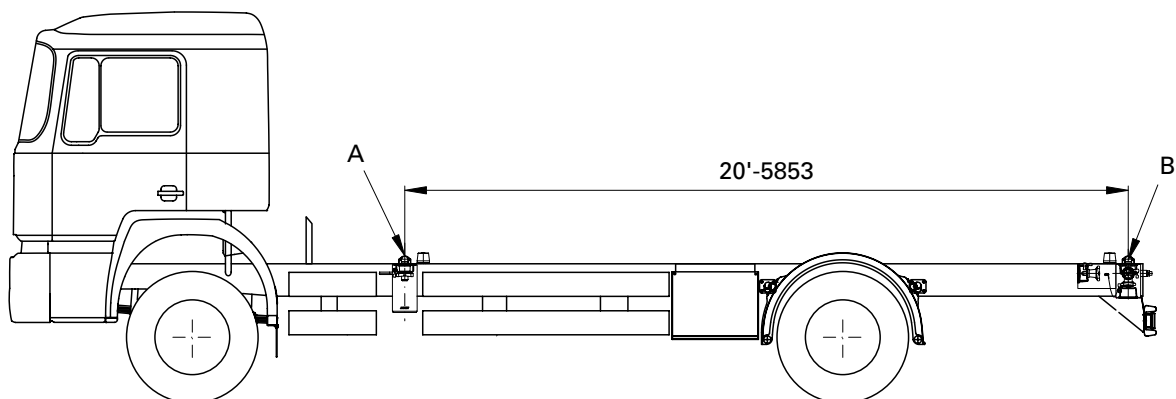
Installation examples for gooseneck chassis

## Selection table / available versions

Item	Versions	Order No.	Page
A	Pivoting front twist lock, standard	FB 88-14 V	69
	Pivoting front twist lock, low design	FB 89-06 VAV	71
		FB 90 F	72
	Compl. bolsters for 45' gooseneck chassis	QT FB2004V	97
B	Retractable twist lock, heavy design	R 401 VAK	54
		VA 01 SK	55
	Retractable twist lock, standard design	R 436 VAK	61
		VA 36 SK	62
	Retractable twist lock, low design	R 406 VAKV-C	57
C	Vertical height adjustment with retractable twist lock	R 301HVCLZ120	77
		R 301HVCRZ120	77
	Non-pluggable, weight-optimised	HV 120 V	74
	Rotatable	F 02 EINZ.002	75
D	Vertical height adjustment with retractable twist lock	R 302HVCLZ120	77
		R 302HVCRZ120	77
	Non-pluggable, weight-optimised	HV 120 V	74
	Rotatable	FD 02 DOPP02	76

In positions C + D (sometimes pos. B), the casing 905.000.216 (FD 02 SK-R) can be used in connection with internal parts kit 915.000.165 and adapter kit 917-437.500, as an alternative to the table above.

# Intermodal vehicle / trailer



Installation examples for Intermodal vehicle / trailer

## Selection table / available versions

A B C D	
Order No. twist locks / bolsters	Page
QT 160-80 RV	92
R 405 VAK	57
R 406 VAK	57

„Standard“-intermodal vehicle / trailer

## Selection table / available versions

A B C D		
Model	Order No.	Page
Vertical height adjustment with retractable twist lock	R 306 HVCL120 / R 306 HVCR120	77
	R 306 HVCL200 / R 306 HVCR200	77
Vertical height adjustment with retractable twist lock, fvz, screw-on	R 305 HVCLZ120 / R 305 HVCRZ120	77
	R 305 HVCLZ200 / R 305 HVCRZ200	77
Rotatable, 90°	R 316 ZWEI 07 R/L	79
180°, compl. bolsters, profil 160x80	QT HV 200	96
Rotatable, 90°, compl. bolsters, profil 200x120	QT HV 120-05	94
	QT HV 150-05	94
	QT HV 200-05	94

„Jumbo“ intermodal vehicle/trailer

# Product range of non-retractable twist locks

rec. gross container weight* max. (kg)	Export version (cannot be screwed down)	Container chassis	Intermodal vehicle	Intermodal vehicle	S = sheet steel housing G = cast housing	Locking pin (mm)	Welding dimension (mm)	Back plate (mm)	Weight (kg)	Order No.	Drawing No.	Figure see page ...
34.000		•			G	∅ 52	105	180x120	14.3	FD 02 SK-RV	905.165.000	44
		•			G	∅ 52	105	180x140	13.0	F 02 SK-R	905.162.000	45
		•			S	∅ 52	105	180x125	13.9	R 402 F-R	905.282.000	46
		•			S	∅ 52	95		12.1	R 302 F-R	905.281.000	46
30.500		•			S	∅ 38	80	180x125	10.3	R 414 F	905.234.000	49
		•			S	∅ 38	72		9.0	R 314 F	905.199.000	49
		•			S	∅ 38	105	180x125	11.5	R 434 F	905.347.000	50
		•			S	∅ 38	95		9.8	R 334 F	905.354.000	50
		•			S	∅ 52	105	180x125	12.2	R 408 F	905.717.000	51
		•			S	∅ 52	95		10.5	R 308 F	905.716.000	51
		•		•	G	∅ 38	80	140x70	7.6	F 17 SKA-70 V	905.137.000	52
<b>Special applications</b>												
34.000		•	•		S	∅ 52	105	180x125	13.9	R 402 FQ-R	905.387.000	48
			•		S	∅ 52	105	207x135	18.3	R 403 FR	905.706.010	47
			•		S	∅ 52	105	207x135	18.3	R 403 FL	905.706.020	47
10.000			•		G	∅ 38	80	150x85	7.0	F 10 SK-R**	905.188.000	53

#### Information for the vehicle construction

\* Please note the information on page 36.

\*\* For Type F10 SK-R, the locking pin does not conform to ISO dimensions. This type is only be used with the CC 012 corner casting.

All spare parts with item number 915.xxx.xxx are zinc-plated.

Replacement lock kit parts, see page 80.

operating keys, see page 85.

#### Indications for mounting of the locking ring:

- For the installation of the locking ring an appropriate tool has to be used.
- Intallation tool locking ring, please see page 85.
- The locking ring has principally to be replaced after dismantling the inner part of the twist lock.



# Product range of retractable twist locks

rec. gross container weight*	Export version (cannot be screwed down)	Containerchassis	Intermodal vehicle / trailer	Platform	S = sheet steel housing G = cast housing	Locking pin (mm)	Welding dimension (mm)	Back plate (mm)	Weight (kg)	Order No.	Drawing No.	Figure see page ...	
34.000		•			S	∅ 52	105	180x125	16.4	R 401 VAK	905.294.000	54	
		•			S	∅ 52	95	–	14.7	R 301 VA	905.222.000	54	
		•			G	∅ 52	105	180x140	16.2	VA 01 SK	905.207.000	55	
30.500				•	S	∅ 38	155		15.7	R 316 VAP	905.202.000	56	
25.400			•		S	∅ 52	105	180x125	12.2	R 405 VAK	905.319.000	57	
			•		S	∅ 52	95	–	10.5	R 305 VA	905.273.000	57	
			•		S	∅ 38	105	180x125	11.6	R 406 VAK	905.317.000	57	
		(•)			S	∅ 38	105	180x125	11.8	R 406 VAK-C	905.561.000	57	
			•		S	∅ 38	95	–	9.8	R 306 VA	905.315.000	57	
			•		S	∅ 52	105	180x 70	10.8	R 405 VAN	905.400.000	58	
			•		S	∅ 52	95	–	9.8	R 305 VAN	905.413.000	58	
					•	S	∅ 52	155	–	14.0	R 305 VAP	905.295.000	59
		(•)	•			S	∅ 38	80	180x125	10.5	R 416 VAK	905.248.000	60
		(•)	•			S	∅ 38	72	–	9.2	R 316 VA	905.198.000	60
		(•)	•			S	∅ 38	105	180x125	11.7	R 436 VAK	905.346.000	61
		(•)	•			S	∅ 38	95	–	10.0	R 336 VA	905.353.000	61
		(•)	•	•		S	∅ 38	105	180x130	12.9	R 1018 VAR	905.429.010	63
		(•)	•	•		S	∅ 38	105	180x130	12.9	R 1018 VAL	905.429.020	63
			•			S	∅ 38	105	330x125	25.2	R 1018 VA-2	905.614.000	63
	(•)	•			G	∅ 38	105	180x125	11.7	VA 36 SK	905.691.000	62	
	•	(•)			G	∅ 38	60	150x140	7.9	QA 37 NS	905.674.000	65	
	•	(•)			G	∅ 38	60	150x140	8.5	QA 37 NS-1	905.667.000	65	
	•	(•)			G	∅ 38	80	150x110	8.4	QA 38 NS	905.675.000	66	
	•	(•)			G	∅ 38	80	150x110	9.0	QA 38 NS-1	905.676.000	66	
		(•)			G	∅ 38	125	185x90	13.1	TL 2009 R-G	905.926.010	64	
		(•)			G	∅ 38	125	185x90	13.1	TL 2009 L-G	905.926.020	64	
10.000			•		G	∅ 38	105	150x 95	8.6	VA 11 SK**	905.189.000	67	

Information for the vehicle construction

(•) only in centre position

\* Please note the information on page 36.

\*\* For Type VA 11 SK, the locking pin does not conform to ISO dimensions. This type is only be used with the CC 012 corner casting.

All spare parts with item number 915.xxx.xxx are zinc-plated.

Replacement lock kit parts, see page 80.

Operating keys, see page 85.

Indications for mounting of the locking ring:

- For the installation of the locking ring an appropriate tool has to be used.
- Intallation tool locking ring, please see page 85.
- The locking ring has principally to be replaced after dismantling the inner part of the twist lock.



# Product range of Front locks

rec. gross container weight* max. (kg)	Export version (cannot be screwed down)	Container chassis	Intermodal vehicle / trailer	S = sheet steel housing G = cast housing	Locking pin (mm)	Welding dimension (mm)	Back plate (mm)	Weight (kg)	Order No..	Drawing No.	Figure see page ...
34.000		•		G				5.8	FB 55 HLR	905.206.010	68
		•		G				5.8	FB 55 HLL	905.206.020	68
		•		S	∅ 38			30.1	FB 88-14 V	905.661.000	69
		•		S	∅ 38			30.9	FB 89-06 VAV	905.641.000	71
		•		S	∅ 52			29.6	FB 90 F	905.714.000	72
		•		G	∅ 38			17.3	FB 91 NS	905.722.000	73

Information for the vehicle construction

\* Please note the information on page 36.

All spare parts with item number 915.xxx.xxx are zinc-plated.

Replacement lock kit parts, see page 80.

Operating keys, see page 85.

Indications for mounting of the locking ring:

- For the installation of the locking ring an appropriate tool has to be used.
- Intallation tool locking ring, please see page 85.
- The locking ring has principally to be replaced after dismantling the inner part of the twist lock.

# Product range of height adjustments

rec. gross container weight*	Container chassis	Intermodal Chassis EN 452	Intermodal vehicle / trailer EN 284	Twist lock retractable (mm)	with twist lock	without twist lock	Weight (kg)	Order No. (mm)	Drawing No.	Figure see page ...
34.000	x			120	x		24.2	HV 120V	905.670.000	74
	x			120	x		34.4	F 02 EINZ.002	905.438.100	75
		x		160	x		35.4	F 02 EINZ.	905.172.100	75
	x			120	x		42.2	FD 02 DOPPO2	905.438.000	76
		x		160	x		43.2	FD 02 DOPP.	905.172.000	76
	x			120	x		49.0	R 301HVCRZ120	905.579.010	77
	x			120	x		49.0	R 301HVCLZ120	905.579.020	77
	x			120	x		46.5	R 302HVCRZ120	905.580.010	77
	x			120	x		46.5	R 302HVCLZ120	905.580.020	77
18.000			x	100	x		35.6	R 306HVCR100	905.704.010	77
			x	100	x		35.6	R 306HVCL100	905.704.020	77
			x	120	x		37.7	R 306HVCR120	905.703.010	77
			x	120	x		37.7	R 306HVCL120	905.703.020	77
			x	160	x		39.9	R 306HVCR160	905.702.010	77
			x	160	x		39.9	R 306HVCL160	905.702.020	77
			x	200	x		41.4	R 306HVCR200	905.702.010	77
			x	200	x		41.4	R 306HVCL200	905.702.020	77
			x	250	x		43.4	R 306HVCR250	905.702.010	77
			x	250	x		43.4	R 306HVCL250	905.702.020	77
			x	120/220/335		x	38.0	HVC-001 R	905.508.010	77
			x	120/220/335		x	38.0	HVC-001 L	905.508.020	77
			x	120/240		x	33.2	HVC-002 R	905.590.010	77
			x	120/240		x	33.2	HVC-002 L	905.590.020	77
			x	120	x		48.9	R 305HVCRZ120	905.639.010	78
			x	120	x		48.9	R 305HVCLZ120	905.639.020	78
			x	160	x		49.7	R 305HVCRZ160	905.648.010	78
			x	160	x		49.7	R 305HVCLZ160	905.648.020	78
			x	200	x		51.2	R 305HVCRZ200	905.648.010	78
			x	200	x		51.2	R 305HVCLZ200	905.648.020	78
			x	120	x		60.9	R 305HVCRZ12D	905.720.010	78
			x	120	x		60.9	R 305HVCLZ12D	905.720.020	78
			x	160	x		63.1	R 305HVCRZ16D	905.725.010	78
			x	160	x		63.1	R 305HVCLZ16D	905.725.020	78
			x	200	x		64.6	R 305HVCRZ20D	905.725.010	78
			x	200	x		64.6	R 305HVCLZ20D	905.725.020	78
			x	120	x		61.2	R 305HVCRZ12LD	905.720.012	78
			x	120	x		61.2	R 305HVCLZ12RD	905.720.021	78
			x	160	x		63.4	R 305HVCRZ16LD	905.725.012	78
			x	160	x		63.4	R 305HVCLZ16RD	905.725.021	78
			x	200	x		65.0	R 305HVCRZ20LD	905.725.012	78
			x	200	x		65.0	R 305HVCLZ20RD	905.725.021	78
			x	200	x		42.9	R 316 ZWEI07R	905.607.010	79
			x	200	x		42.9	R 316 ZWEI07L	905.607.020	79
			x	250	x		44.2	R 316 ZWEI08R	905.607.010	79
			x	250	x		44.2	R 316 ZWEI08L	905.607.020	79
			x	300	x		45.4	R 316 ZWEI06R	905.607.010	79
			x	300	x		45.4	R 316 ZWEI06L	905.607.020	79

Information for the vehicle construction

\* Please note the information on page 36.

Appropriate central support for vertical load transmission of the gross container weight has to be assembled on the vehicle side.

All spare parts with item number 915.xxx.xxx are zinc-plated.

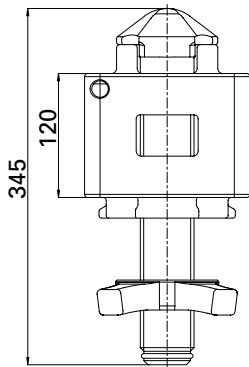
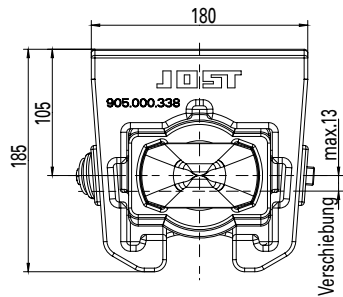
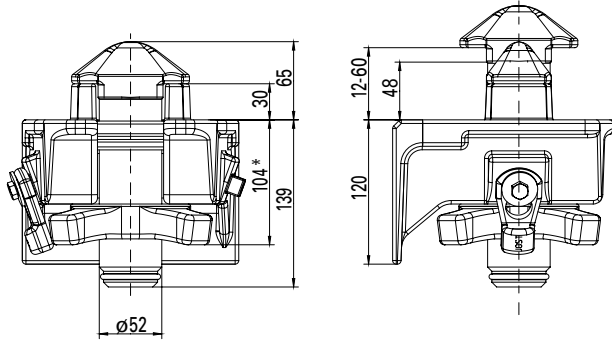
Replacement lock kit parts, see page 80.

Operating keys, see page 85.

Indications for mounting of the locking ring:

- For the installation of the locking ring an appropriate tool has to be used.
- Installation tool locking ring, please see page 85.
- The locking ring has principally to be replaced after dismantling the inner part of the twist lock.

# FD 02 SK-RV



Application: Container chassis  
 rec. gross container weight: max. 34,000 kg  
 Locking pin:  $\phi 52$  mm [ISO]  
 can be screwed down, non-retractable  
 Housing raw, mounting parts galvanised  
 Internal parts can be completely removed  
 Screwable latch can be mounted on the right or left side, as desired

\* Locking nut loose 133

## Selection table / available versions

Weight (kg)	Order No.	Drawing No.
14.3	FD 02 SK-RV	905.165.000

## Adapter kit HV 120 mm

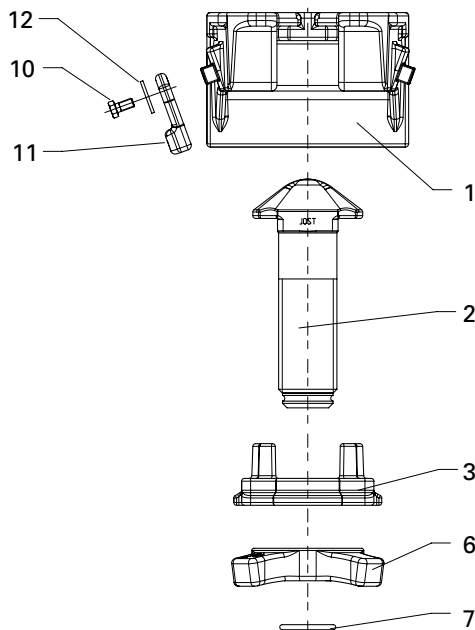
Allows a level adjustment of 120 mm if exchanged for the interior parts kit 915.165.500.

Use: Gooseneck chassis

Hot-dip galvanised housing, mounting parts galvanised

Weight (kg)	Order No.	Drawing No.
15.2	917.437.500	905.437.500

## Spare parts

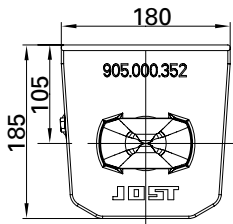
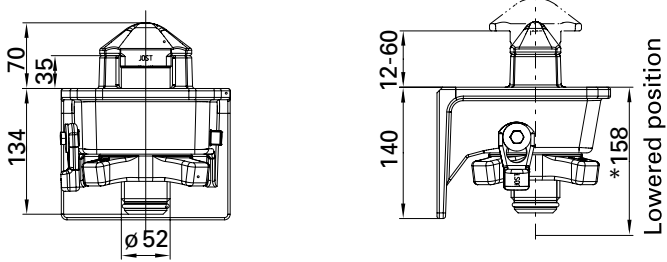


Item	Description	Order No.
1	Housing	incl. Item 10-12 914.000.216
2	Locking pin	915.000.213
3	Guide bush	915.000.217
6	Locking nut	915.000.088
7	Locking ring	915.000.187

## Spare parts kit

Item	Description	Order No.
10, 11, 12	Latch kit	905.159.500
2, 3, 6, 7	Interior parts kit	915.165.500

# F 02 SK-R



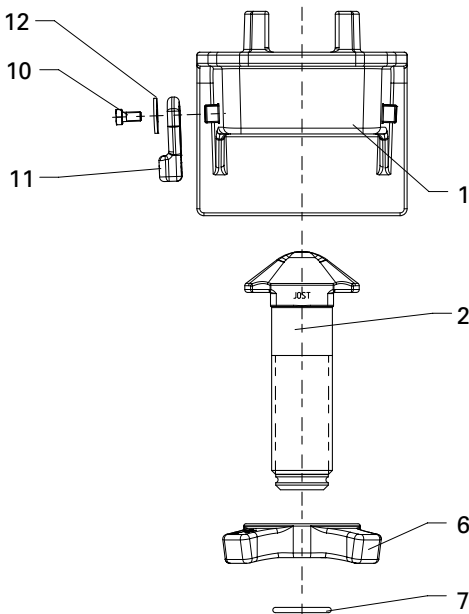
Application: Container chassis  
 rec. gross container weight: max. 34.000 kg  
 Locking pin:  $\varnothing$  52 mm [ISO]  
 can be screwed down, non-retractable  
 Screwable latch can be mounted on the right or left side,  
 as desired alternative version with welded sheet steel housing:  
 R 402 F / R 302 F  
 F 02 SK-R, completely primed  
 F 02 SK-RV, housing raw,; mounting parts galvanised

\* Locking nut loose 129

## Selection table / available versions

Weight (kg)	Condition at delivery	Order No.	Drawing No.
13.0	mounted	F 02 SK-R	905.162.000
13.0	unmounted	F 02 SK-RV	

## Spare parts

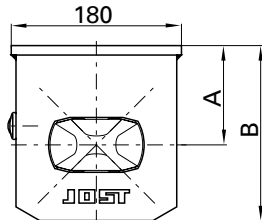
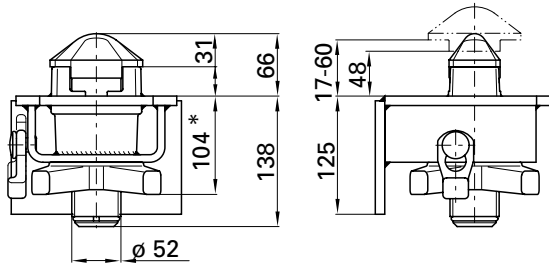


Item	Description	Order No.
1	Housing	incl. Item 10-12 914.000.207
2	Locking pin	915.000.213
6	Locking nut	915.000.088
7	Locking ring	915.000.187

## Spare parts kit

Item	Description	Order No.
10, 11, 12	Latch kit	905.159.500 905.159.500

# R 402 F-R / R 302 F-R



R 402 F-R

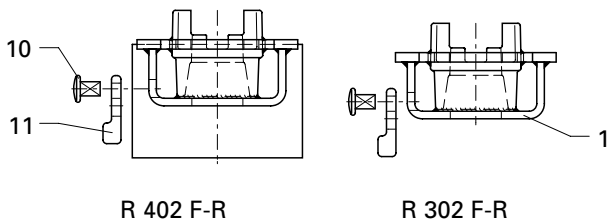
Application: Container chassis  
 rec. gross container weight: max. 34.000 kg  
 Locking pin:  $\varnothing$  52 mm [ISO]  
 can be screwed down, non-retractable  
 alternative version with cast housing: F 02 SK-R

\* Locking nut loose 132

## Selection table / available versions

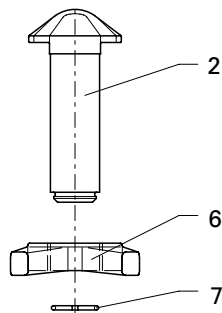
Versions	A (mm)	B (mm)	Weight (kg)	Condition at delivery	Order No.	Drawing No.
with back plate	105	185	13.9	mounted	R 402 F-R	905.282.000
with back plate	105	185	13.9	unmounted	R 402 F-RV	
without back plate	95	175	12.1	mounted	R 302 F-R	905.281.000

## Spare parts



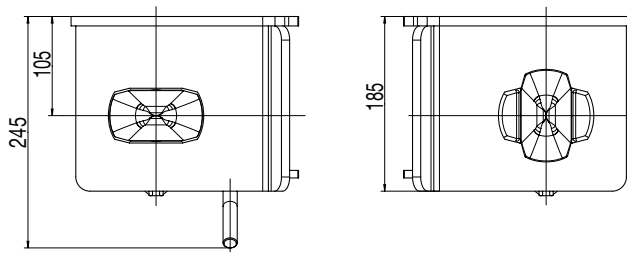
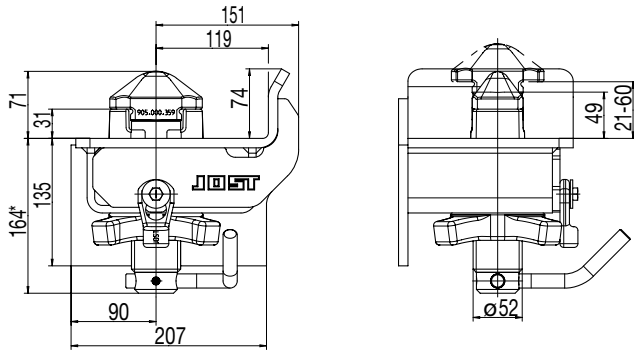
R 402 F-R

R 302 F-R



Item	Description		R 402 F-R	R 302 F-R
1	Housing	incl. Item 10+11	905.233.100	905.215.100
2	Locking pin		915.000.213	915.000.213
6	Locking nut		915.000.088	915.000.088
7	Locking ring		915.000.187	915.000.187
10	Pin		905.159.002	905.159.002
11	Latch		915.159.001	915.159.001

# R 403 FR / R 403 FL

R 403 FL  
unlocked positionR 403 FR  
locked position

Application: Container chassis  
 rec. gross container weight: max. 34.000 kg  
 Locking pin:  $\varnothing 52$  mm [ISO]  
 can be screwed down, non-retractable

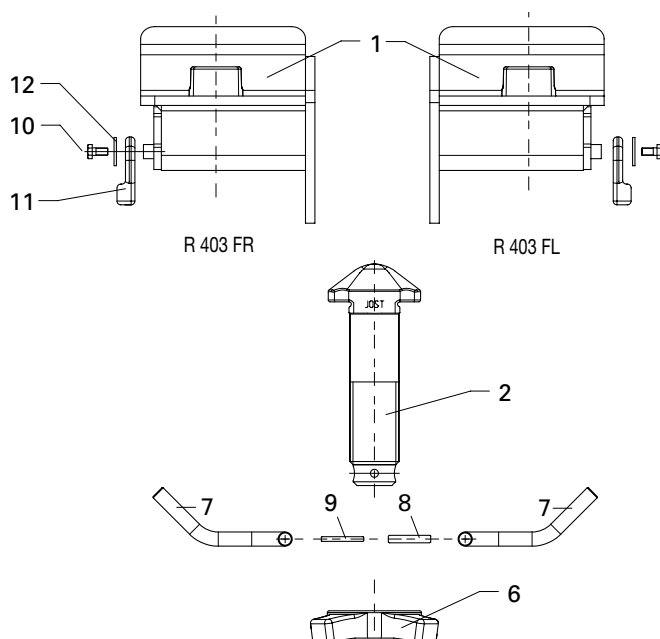
\* Locking pin in locked position 174



## Selection table / available versions

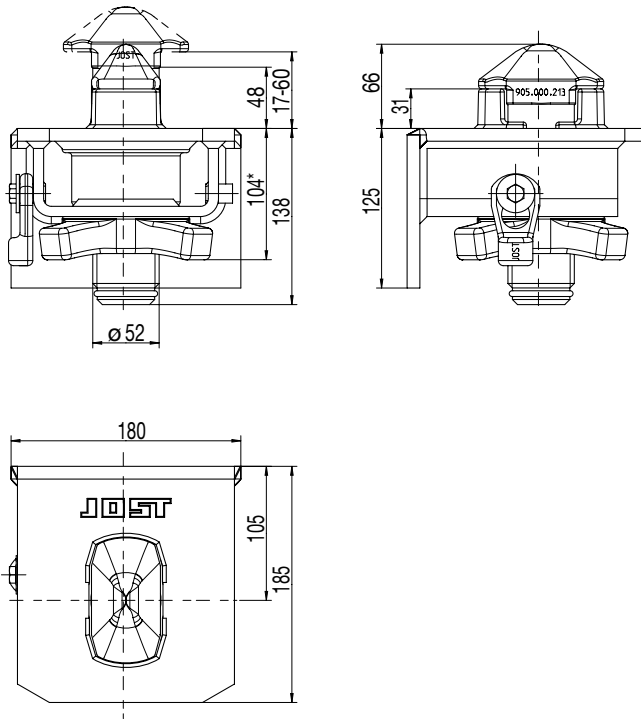
Versions	Surface housing	Condition at delivery	Weight (kg)	Order No.	Drawing No.
left	primed	mounted	18.3	R 403 FL	905.706.020
left	primed	unmounted	18.3	R 403 FLV	905.706.020
left	raw	unmounted	18.3	R 403 FLVX	905.706.020
right	primed	mounted	18.3	R 403 FR	905.706.010
right	primed	unmounted	18.3	R 403 FRV	905.706.010
right	raw	unmounted	18.3	R 403 FRVX	905.706.010

## Spare parts



Item	Description	R 403 FL	R 403 FR
1	Housing	905.706.120	905.706.110
2	Locking pin	915.000.359	915.000.359
6	Locking nut	915.000.088	915.000.088
10, 11, 12	Latch kit	905.159.500	905.159.500
7	Lever	915.706.021	905.706.011
8	Clamping pin 8x45	NT 0049300	NT 0049300
9	Clamping pin 5x45	NT 0049400	NT 0049400

# R 402 FQ-R



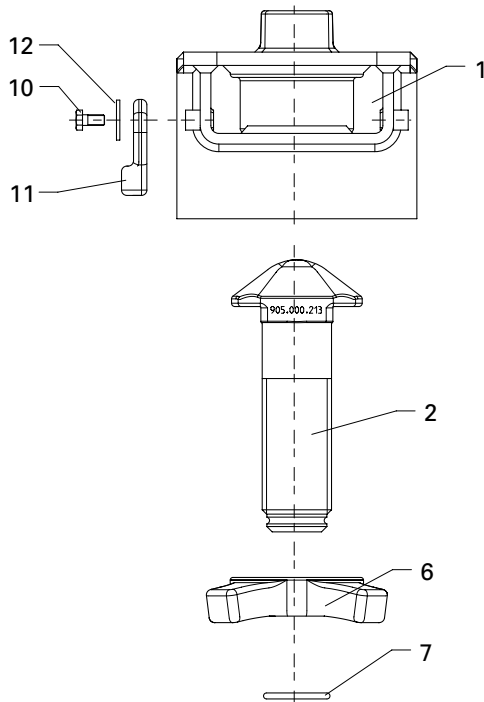
Application: Container chassis / Pitched chassis in frontal position Inner twist lock parts turned 90° For lateral welding to a support or tilt frame  
 rec. gross container weight: max. 34.000 kg  
 Locking pin: ø 52 mm (ISO)  
 can be screwed down, non-retractable

\* Locking nut loose 132

## Selection table / available versions

Weight (kg)	Surface housing	Condition at delivery	Order No.	Drawing No.
13.9	primed	unmounted	R 402 FQ-RV	905.387.000
13.9	raw	unmounted	R 402 FQ-RVX	905.387.000

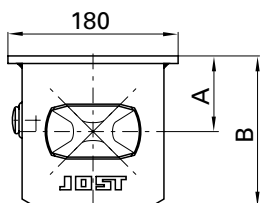
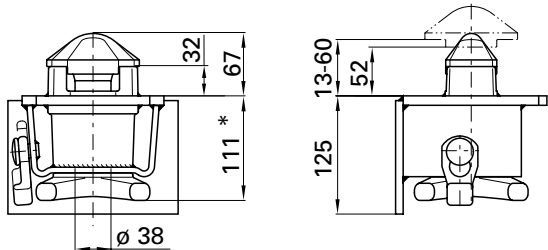
## Spare parts



Item	Description	Order No.
1	Housing	905.387.100
2	Locking pin	915.000.213
6	Locking nut	915.000.088
7	Locking ring	915.000.187
10, 11, 12	Latch kit	905.159.500



# R 414 F / R 314 F



R 414 F

Application: Container chassis  
 rec. gross container weight: max. 30.500 kg  
 Locking pin:  $\varnothing$  38 mm [ISO]  
 can be screwed down, non-retractable

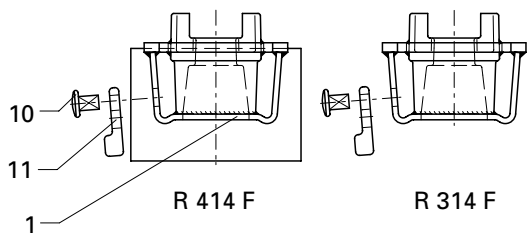
\* Locking nut loose 139

## Selection table / available versions

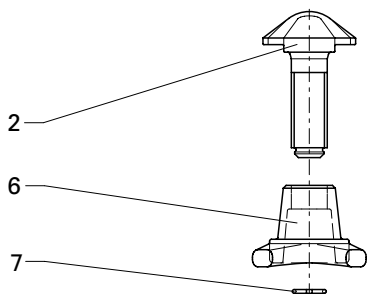
Versions	A (mm)	B (mm)	Weight (kg)	Order No.	Drawing No.
with back plate	80	160	10.3	R 414 F	905.234.000
without back plate	72	152	9.0	R 314 F	905.199.000



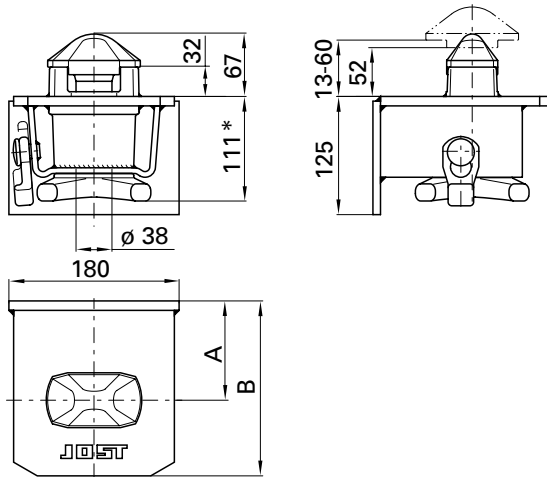
## Spare parts



Item	Description		R 414 F	R 314 F
1	Housing	incl. Item10+11	905.234.100	905.199.100
2	Locking pin		915.000.137	915.000.137
6	Locking nut		915.000.127	915.000.127
7	Locking ring		915.000.190	915.000.190
10	Pin		905.159.002	905.159.002
11	Latch		915.159.001	915.159.001



# R 434 F / R 334 F



R 434 F

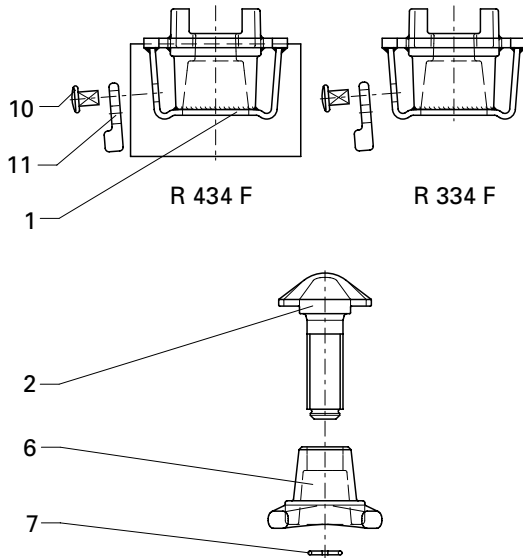
Application: Container chassis  
 rec. gross container weight: max. 30.500 kg  
 Locking pin:  $\varnothing$  38 mm [ISO]  
 can be screwed down, non-retractable

\* Locking nut loose 139

## Selection table / available versions

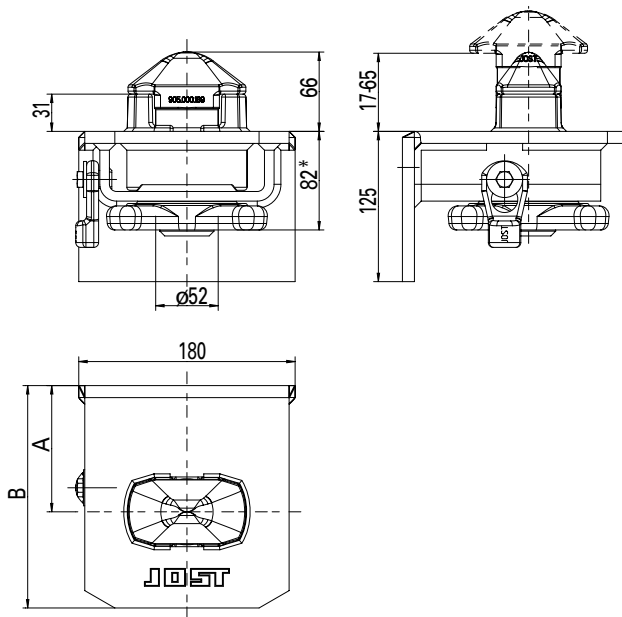
Versions	A (mm)	B (mm)	Weight (kg)	Order No.	Drawing No.
with back plate	105	185	11.5	R 434 F	905.347.000
without back plate	95	175	9.8	R 334 F	905.354.000

## Spare parts



Item	Description		R 434 F	R 334 F
1	Housing	incl. Item 10+11	905.347.100	905.354.100
2	Locking pin		915.000.137	915.000.137
6	Locking nut		915.000.127	915.000.127
7	Locking ring		915.000.190	915.000.190
10	Pin		905.159.002	905.159.002
11	Latch		915.159.001	915.159.001

# R 408 F / R 308 F



Application: Container chassis  
 Preferably when space is limited  
 rec. gross container weight: max. 30.500 kg  
 Locking pin:  $\varnothing 52$  mm (ISO)  
 can be screwed down, non-retractable

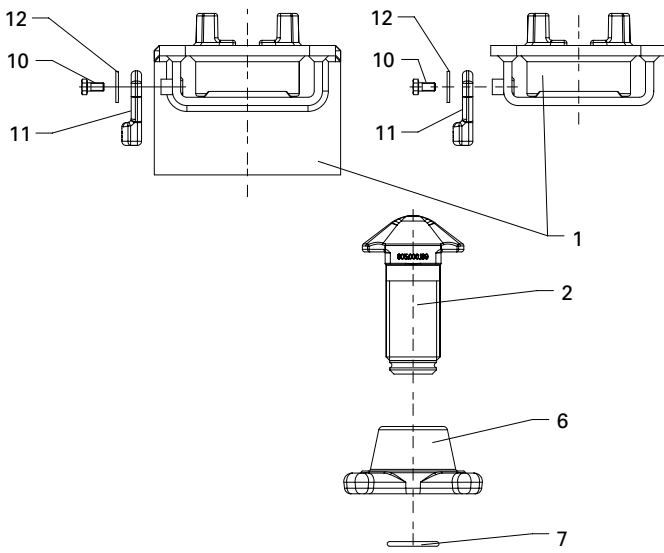
\* Locking nut loose 116



## Selection table / available versions

Versions	A (mm)	B (mm)	Weight (kg)	Condition at delivery	Order No.	Drawing No.
with back plate	105	185	12.2	mounted	R 408 F	905.717.000
with back plate	105	185	12.2	unmounted	R 408 FV	
without back plate	95	175	10.5	mounted	R 308 F	905.716.000
without back plate	95	175	10.5	unmounted	R 308 FV	

## Spare parts

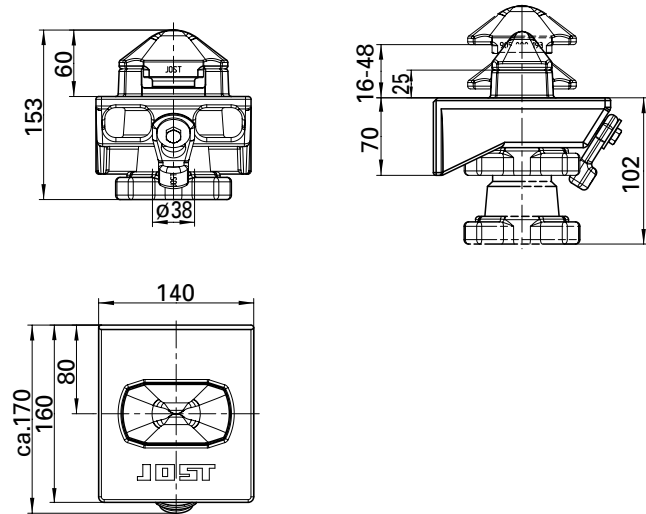


Item	Description	R 408 F	R 308 F
1	Housing	905.717.100	905.716.100
2	Locking pin	915.000.189	915.000.189
6	Locking nut	915.000.275	915.000.275
7	Locking ring	915.000.187	915.000.187

## Spare parts kit

Item	Description	Order No.
10, 11, 12	Latch kit	905.159.500

# F 17 SKA-70 V

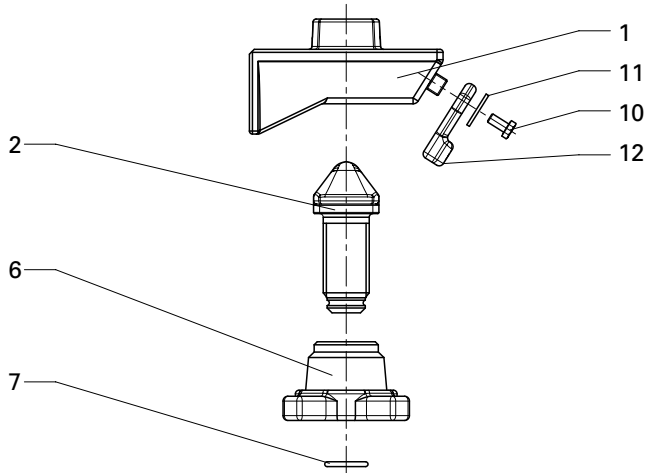


Application: Intermodal vehicle and container chassis  
 rec. gross container weight: max. 30.500 kg  
 Locking pin:  $\varnothing$  38 mm [ISO]  
 can be screwed down, non-retractable  
 Housing raw, mounting parts galvanised,  
 screwable latch on face

## Selection table / available versions

Weight (kg)	Condition at delivery	Order No.	Drawing No.
7.6	unmounted	F 17 SKA-70 V	905.137.000

## Spare parts

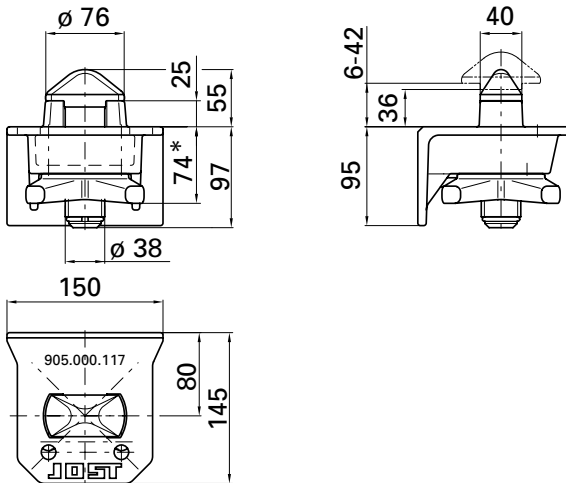


Item	Description	Order No.
1	Housing	incl. Item 10-12 914.000.179
2	Locking pin	915.000.193
6	Locking nut	915.000.208
7	Locking ring	915.000.190

## Spare parts kit

Item	Description	Order No.
10, 11, 12	Latch kit	905.159.500

# F 10 SK-RV



Application: Intermodal vehicle  
 rec. gross container weight: max. 10.000 kg  
 Locking pin:  $\varnothing$  38 mm [not ISO]  
 can be screwed down, non-retractable

\* Locking nut loose 91

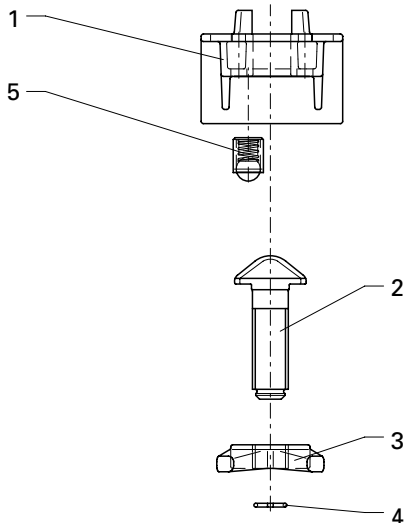
## Selection table / available versions

Weight (kg)	Condition at delivery	Order No.	Drawing No.
6.7	unmounted	F 10 SK-RV	905.188.000

The F 10 SK-RV twist lock can only be used with the CC 012 corner casting since the dimensions of the locking pin do not comply with the ISO dimensions.

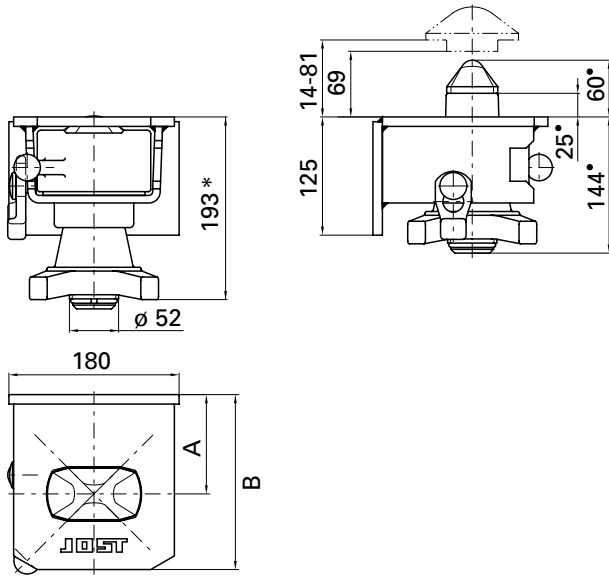


## Spare parts



Item	Description	Order No.
1	Housing	incl. Item 5 905.000.117
2	Locking pin	915.000.252
3	Locking nut	915.000.077
4	Locking ring	915.000.190
5	Ball lock	905.000.143

# R 401 VAK / R 301 VA



R 401 VAK

Application: Container chassis  
 rec. gross container weight: max. 34.000 kg  
 Locking pin:  $\varnothing$  52 mm [ISO]  
 can be screwed down, retractable  
 alternative version with cast housing:  
 VA 01 SK

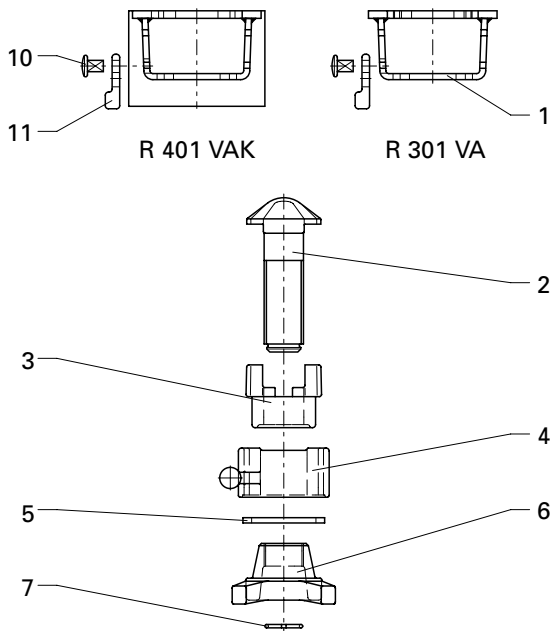
\* Locking nut loose 242

- Dimensions in position ready for mounting

## Selection table / available versions

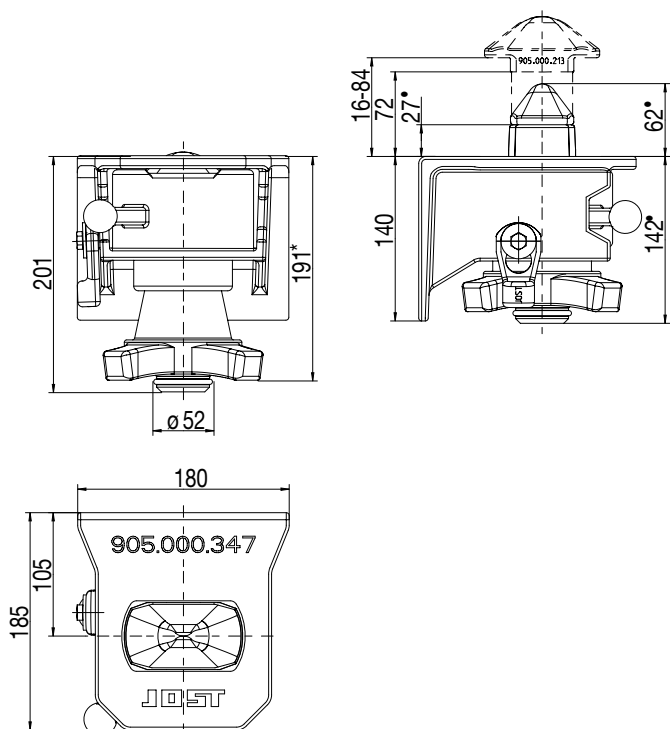
Versions	A (mm)	B (mm)	Weight (kg)	Condition at delivery	Order No.	Drawing No.
with back plate	105	185	16.4	mounted	R 401 VAK	905.294.000
with back plate	105	185	16.4	unmounted	R 401 VAKV	
without back plate	95	175	14.7	mounted	R 301 VA	905.222.000
without back plate	95	175	14.7	unmounted	R 301 VAV	

## Spare parts



Item	Description		R 401 VAK	R 301 VA
1	Housing	incl. Item 10+11	905.294.100	905.222.100
2	Locking pin		915.000.213	915.000.213
3	Guide bush		915.000.161	915.000.161
4	Outer bush		915.000.160	915.000.160
5	Spacer ring		915.000.188	915.000.188
6	Locking nut		915.000.072	915.000.072
7	Locking ring		915.000.187	915.000.187
10	Pin		905.159.002	905.159.002
11	Latch		915.159.001	915.159.001

# VA 01 SK



Application: Container chassis  
 rec. gross container weight: max. 34.000 kg  
 Locking pin:  $\varnothing$  52 mm [ISO]  
 can be screwed down, retractable  
 screwable latch  
 alternative version with welded sheet steel housing: R 401 VAK / R 301 VA  
 VA 01 SK: housing primed  
 VA SKV: housing raw

\* Locking nut loose 240

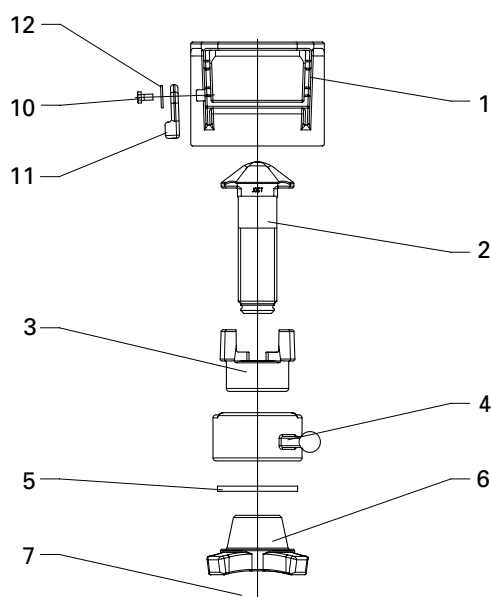
- Dimensions in position ready for mounting

## Selection table / available versions

Weight (kg)	Condition at delivery	Order No.	Drawing No.
16.2	mounted	VA 01 SK	905.207.000
16.2	unmounted	VA 01 SKV	



## Spare parts

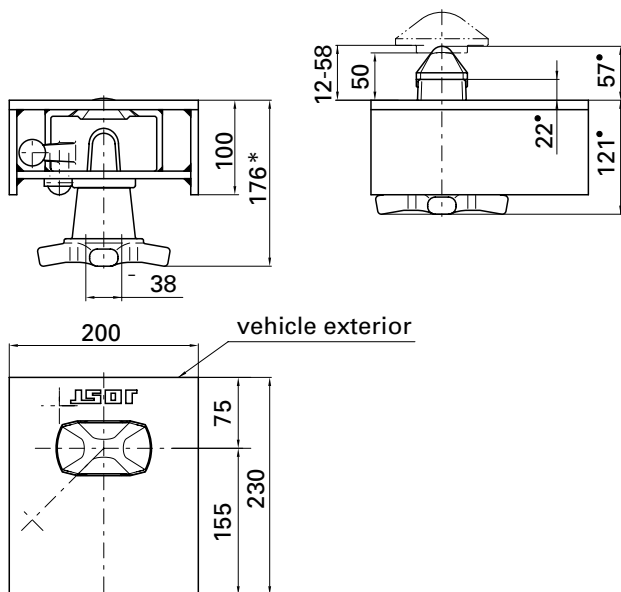


Item	Description	Order No.
1	Housing	incl. Item 10-12 914.000.249
2	Locking pin	915.000.213
3	Guide bush	915.000.161
4	Outer bush	915.000.160
5	Spacer ring	915.000.188
6	Locking nut	915.000.072
7	Locking ring	915.000.187

## Spare parts kit

Item	Description	Order No.
10, 11, 12	Latch kit	905.159.500

# R 316 VAP



Application: Platform  
 rec. gross container weight: max. 30.500 kg  
 Locking pin:  $\varnothing$  38 mm [ISO]  
 can be screwed down, retractable

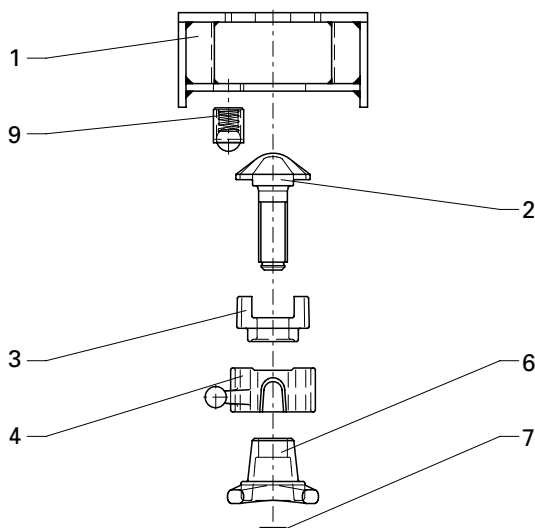
\* Locking nut loose 203

- Dimensions in position ready for mounting

## Selection table / available versions

Weight (kg)	Condition at delivery	Order No.	Drawing No.
15.7	mounted	R 316 VAP	905.202.000
15.7	unmounted	R 316 VAPV	

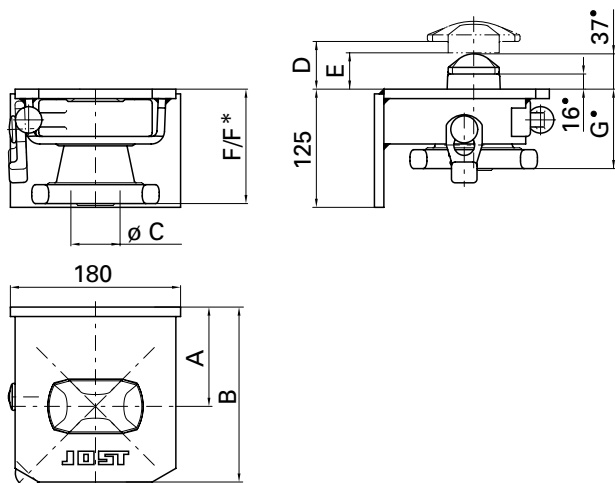
## Spare parts



Item	Description		Order No.
1	Housing	incl. Item 9	905.202.200
2	Locking pin		915.000.137
3	Guide bush		915.000.178
4	Outer bush		915.000.177
6	Locking nut		915.000.127
7	Locking ring		915.000.190
9	Ball lock		905.000.143



# R 406 VAK / 306 VA / 406 VAK-C / 405 VAK / 305 VA



R 405 VAK

Application:

**R 406 VAK and R 306 VA / R405 VAK and R305 VA:**

Intermodal vehicle/ trailer

**R 406 VAK-C:**

Container chassis in centre position  
(Only corner castings in accordance with ISO 1161 can be tightened).

rec. gross container weight: max. 25.400 kg  
can be screwed down, retractable

\* Locking nut loose

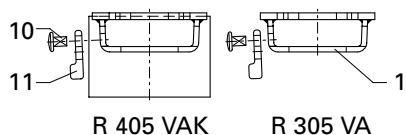
- Dimensions in position ready for mounting



## Selection table / available versions

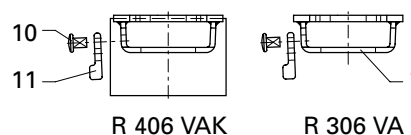
Versions	A (mm)	B (mm)	C (mm)	D (mm)	E (mm)	F / F* (mm)	G (mm)	Weight (kg)	Condition at delivery	Order No.	Drawing No.
without back plate	95	175	52	16-50	38	123/152	86	10.5	unmounted	R 305 VAV	905.273.000
without back plate	95	175	38	12-50	42	121/151	84	9.8	unmounted	R 306 VAV	905.315.000
with back plate	105	185	52	16-50	38	123/152	86	12.2	mounted	R 405 VAK	905.319.000
with back plate	105	185	52	16-50	38	123/152	86	12.2	unmounted	R 405 VAKV	905.319.000
with back plate	105	185	38	12-50	42	121/151	84	11.6	unmounted	R 406 VAKV	905.317.000
with back plate	105	185	38	22-62	42	121/161	95	11.8	unmounted	R 406 VAKV-C	905.561.000

## Spare parts



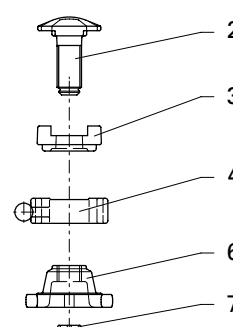
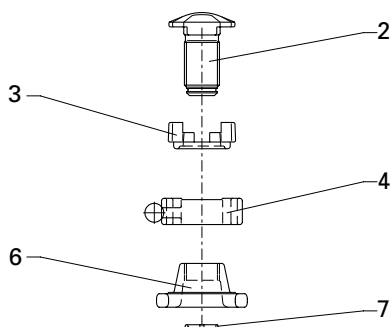
R 405 VAK

R 305 VA



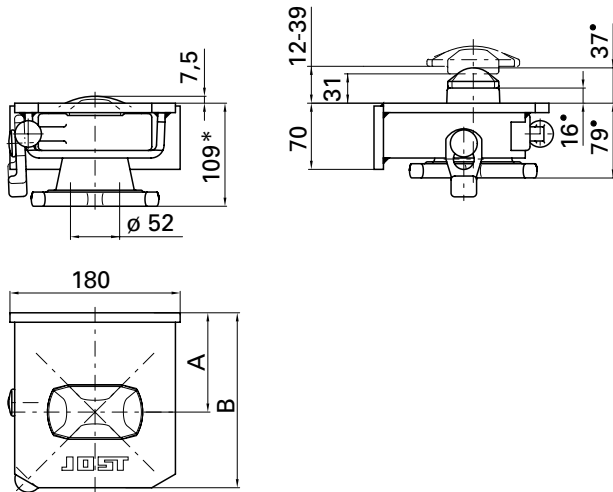
R 406 VAK

R 306 VA



Item	Description		R 305 VA	R 306 VA	R 405 VAK	R 406 VAK	R 406 VAK-C
1	Housing	incl. Item 10+11	905.273.100	905.273.100	905.319.100	905.319.100	905.319.100
2	Locking pin		915.000.276	915.000.289	915.000.276	915.000.289	915.000.327
3	Guide bush		915.000.273	915.000.288	915.000.273	915.000.288	915.000.288
4	Outer bush		915.000.274	915.000.274	915.000.274	915.000.274	915.000.274
6	Locking nut		915.000.275	915.000.303	915.000.275	915.000.303	915.000.303
7	Locking ring		915.000.187	915.000.190	915.000.187	915.000.190	915.000.190
10	Pin		905.159.002	905.159.002	905.159.002	905.159.002	905.159.002
11	Latch		915.159.001	915.159.001	915.159.001	915.159.001	915.159.001

# R 405 VAN / R 305 VAN



R 405 VAN

Application: Intermodal vehicle/ trailer  
 rec. gross container weight: max. 25.400 kg  
 Locking pin:  $\varnothing$  52 mm [ISO]  
 can be screwed down, retractable  
 (Only corner castings in accordance with EN 284 with a thickness of 20 mm can be tightened).

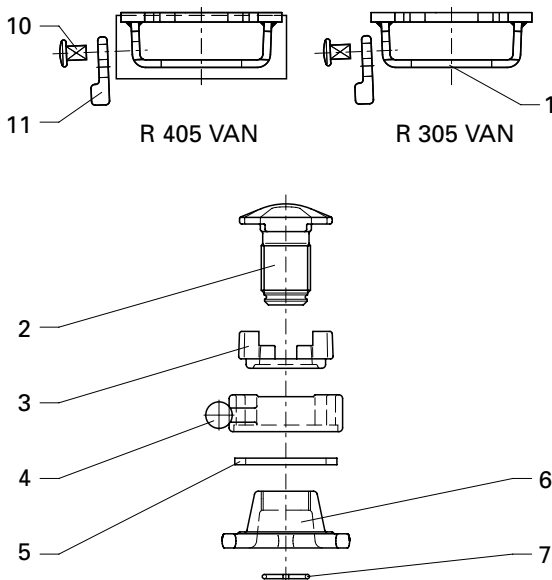
\* Locking nut loose 129

- Dimensions in position ready for mounting

## Selection table / available versions

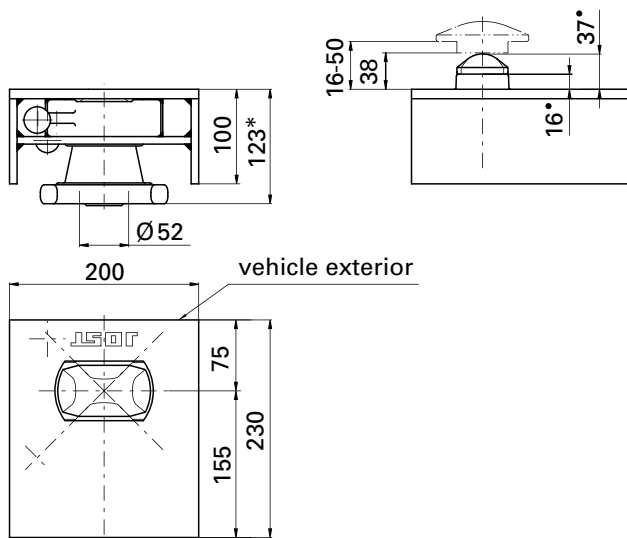
Versions	A (mm)	B (mm)	Weight (kg)	Order No.	Drawing No.
without back plate	95	175	9.8	R 305 VAN	905.413.000
with back plate	105	185	10.8	R 405 VAN	905.400.000

## Spare parts



Item	Description		R 405 VAN	R 305 VAN
1	Housing	incl. Item 10+11	905.400.100	905.273.100
2	Locking pin		915.000.314	915.000.314
3	Guide bush		915.000.273	915.000.273
4	Outer bush		915.000.312	915.000.312
5	Spacer ring		915.000.188	915.000.188
6	Locking nut		915.000.313	915.000.313
7	Locking ring		915.000.187	915.000.187
10	Pin		905.159.002	905.159.002
11	Latch		915.159.001	915.159.001

# R 305 VAP



Verwendung: Plattform  
 empf. Behältergesamtgewicht: max. 25.400 kg  
 Locking pin:  $\varnothing$  52 mm (ISO)  
 spann- und absenkbar

\* Locking nut loose 152

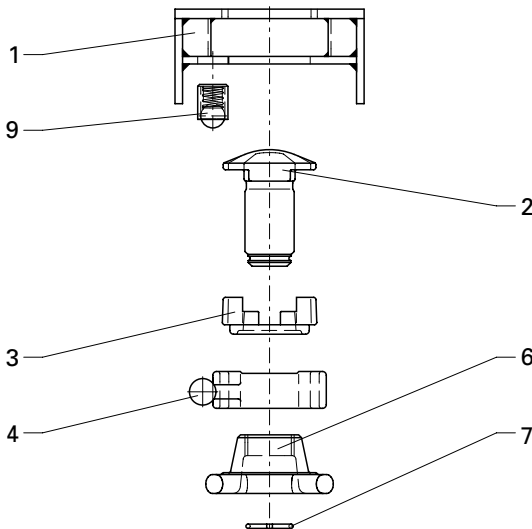
- Dimensions in position ready for mounting

## Selection table / available versions

Weight (kg)	Condition at delivery	Order No.	Drawing No.
14.0	mounted	R 305 VAP	905.295.000
14.0	unmounted	R 305 VAPV	

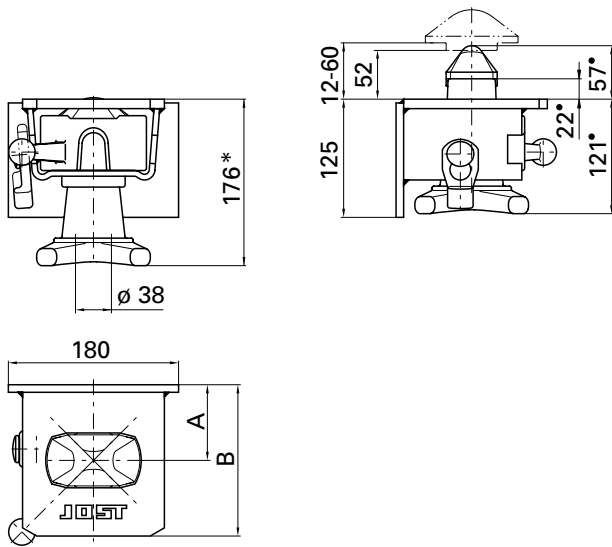


## Spare parts



Item	Description		Order No.
1	Housing	incl. Item 9	905.295.200
2	Locking pin		915.000.276
3	Guide bush		915.000.273
4	Outer bush		915.000.274
6	Locking nut		915.000.275
7	Locking ring		915.000.187
9	Ball lock		905.000.143

# R 416 VAK / R 316 VA



R 416 VAK

Application: Container chassis in center position  
 Intermodal vehicle/ trailer  
 rec. gross container weight: max. 25.400 kg  
 Locking pin:  $\varnothing$  38 mm [ISO]  
 can be screwed down, retractable

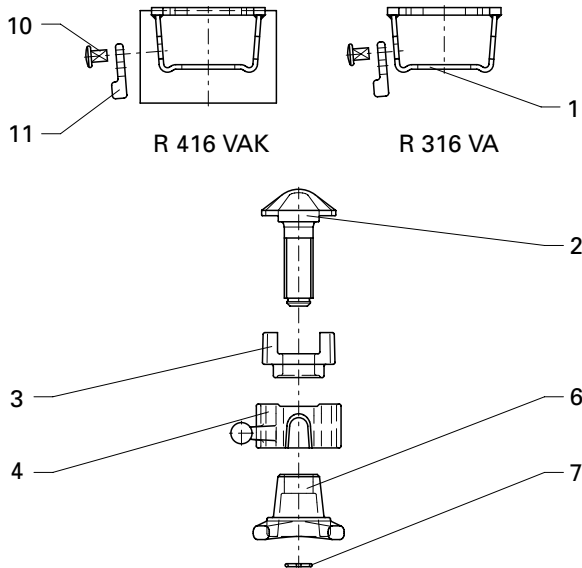
\* Locking nut loose 204

- Dimensions in position ready for mounting

## Selection table / available versions

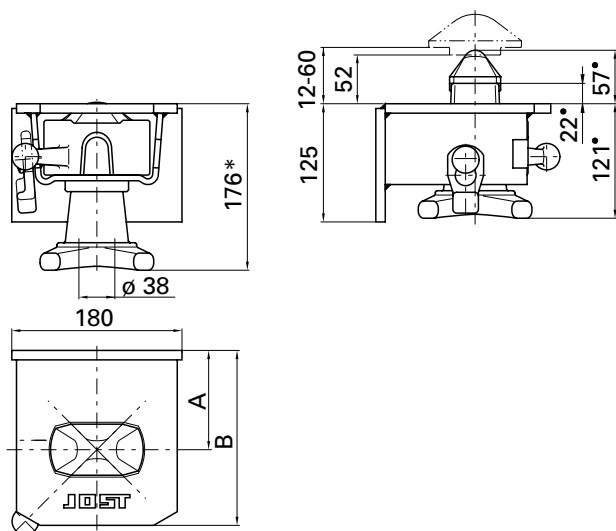
Versions	A (mm)	B (mm)	Weight (kg)	Condition at delivery	Order No.	Drawing No.
with back plate	80	160	10.5	mounted	R 416 VAK	905.248.000
with back plate	80	160	10.5	unmounted	R 416 VAKV	
without back plate	72	152	9.2	mounted	R 316 VA	905.198.000
without back plate	72	152	9.2	unmounted	R 316 VAV	

## Spare parts



Item	Description		R 416 VAK	R 316 VA
1	Housing	incl. Item 10+11	905.248.100	905.198.100
2	Locking pin		915.000.137	915.000.137
3	Guide bush		915.000.178	915.000.178
4	Outer bush		915.000.177	915.000.177
6	Locking nut		915.000.127	915.000.127
7	Locking ring		915.000.190	915.000.190
10	Pin		905.159.002	905.159.002
11	Latch		915.159.001	915.159.001

# R 436 VAK / R 336 VA



R 436 VAK

Application: Container chassis in center position  
 Intermodal vehicle/ trailer  
 rec. gross container weight: max. 25.400 kg  
 Locking pin:  $\varnothing$  38 mm [ISO]  
 can be screwed down, retractable  
 alternative version with cast housing: VA 36 SK

\* Locking nut loose 204

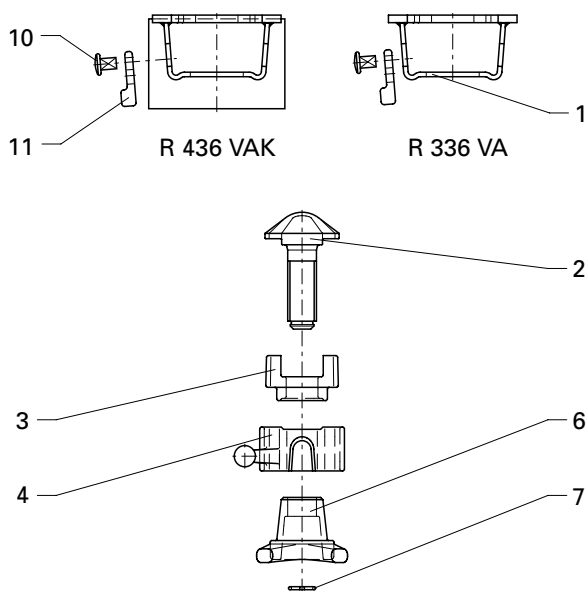
- Dimensions in position ready for mounting

## Selection table / available versions

Versions	A (mm)	B (mm)	Weight (kg)	Order No.	Drawing No.
with back plate	105	185	11.7	R 436 VAK	905.346.000
without back plate	95	175	10.0	R 336 VA	905.353.000

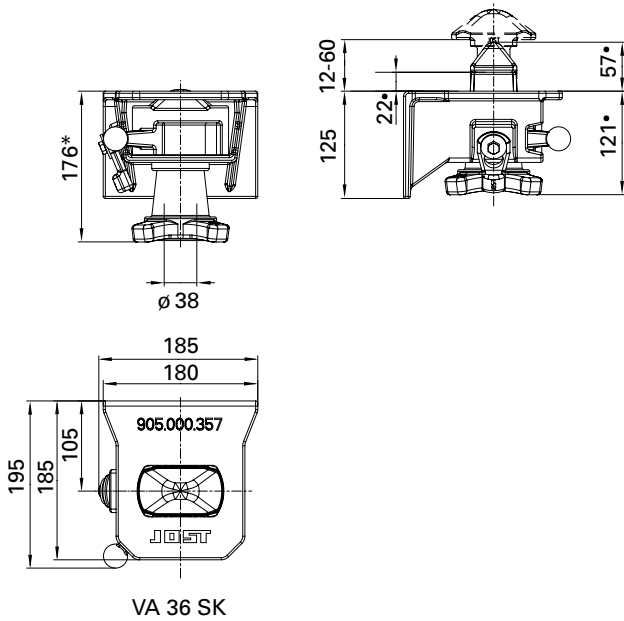


## Spare parts



Item	Description		R 436 VAK	R 336 VA
1	Housing	incl. Item 10+11	905.346.100	905.353.100
2	Locking pin		915.000.137	915.000.137
3	Guide bush		915.000.178	915.000.178
4	Outer bush		915.000.177	915.000.177
6	Locking nut		915.000.127	915.000.127
7	Locking ring		915.000.190	915.000.190
10	Pin		905.159.002	905.159.002
11	Latch		915.159.001	915.159.001

# VA 36 SK



Application: Container chassis  
 rec. gross container weight: max. 25.400 kg  
 Locking pin:  $\varnothing$  38 mm [ISO]  
 can be screwed down, retractable  
 screwable latch  
 alternative version with welded sheet steel housing:  
 R 436 VAK / R 336 VA

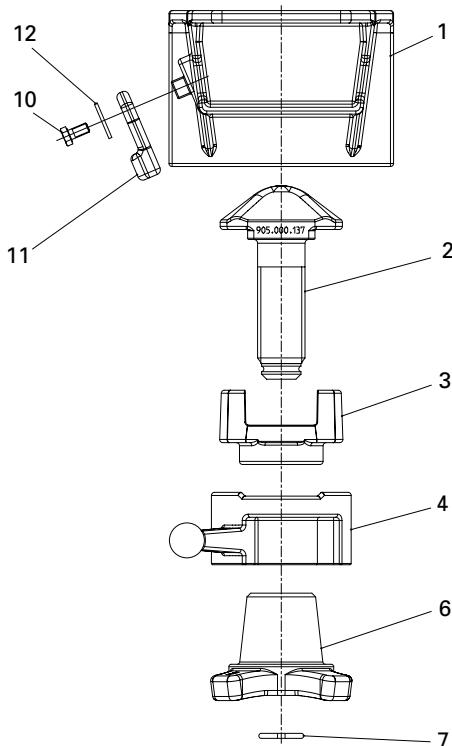
\* Locking nut loose 204

- Dimensions in position ready for mounting

## Selection table / available versions

Weight (kg)	Condition at delivery	Order No.	Drawing No.
11.7	unmounted	VA 36 SKV	905.691.000

## Spare parts

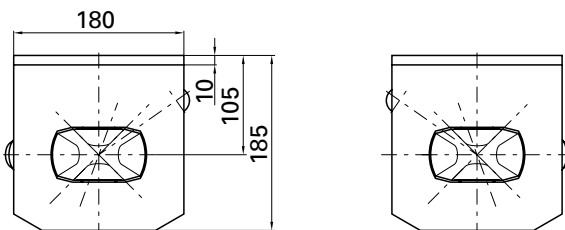
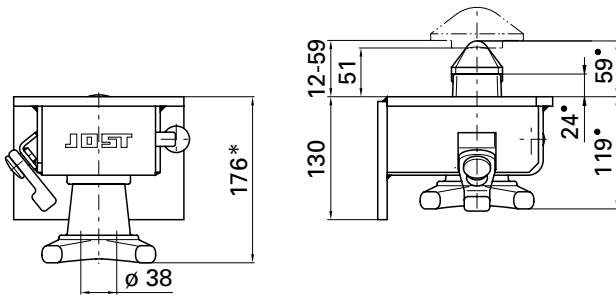


Item	Description		Order No.
1	Housing	incl. Item 10-12	905.000.358
2	Locking pin		915.000.137
3	Guide bush		915.000.178
4	Outer bush		915.000.177
6	Locking nut		915.000.127
7	Locking ring		915.000.190

## Spare parts kit

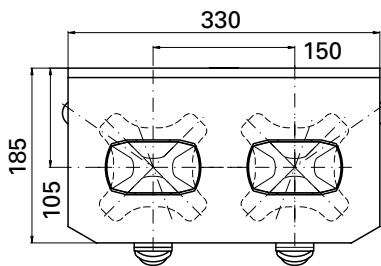
Item	Description	Order No.
10, 11, 12	Latch kit	905.159.500

# R 1018



R 1018 VAR

R 1018 VAL



R 1018 VA-2

Application:

## R 1018 VAR/VAL

Container chassis in center position  
Intermodal vehicle/ trailer  
Platform

## R 1018 VA-2 Special construction

rec. gross container weight: max. 25.400 kg  
Locking pin:  $\varnothing$  38 mm [ISO]  
can be screwed down, operated from the side,  
retractable Condition at delivery: unmounted

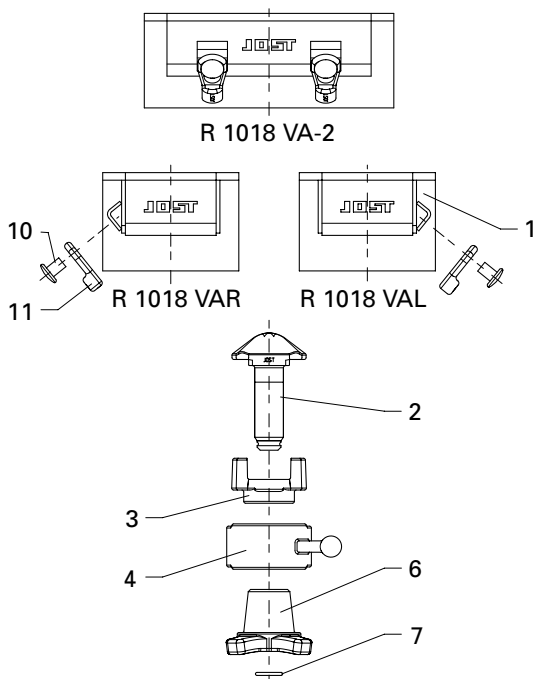
\* Locking nut loose 203

- Dimensions in position ready for mounting

## Selection table / available versions

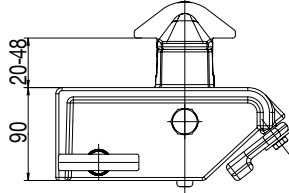
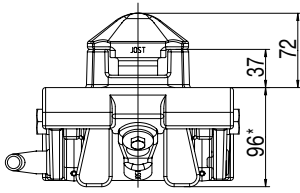
Versions	Weight (kg)	Order No.	Drawing No.
Operation right	12.9	R 1018 VARV	905.429.010
Operation left	12.9	R 1018 VALV	905.429.020
doubled	25.2	R 1018 VA-2V	905.614.000

## Spare parts



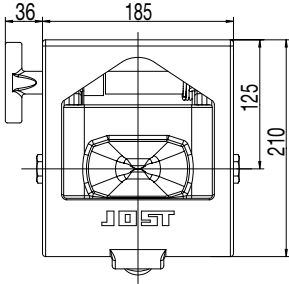
Item	Description	R 1018 VAR	R 1018 VAL	R 1018 VA-2V
1	Housing incl. Item 10+11	905.429.110	905.429.120	905.614.100
2	Locking pin	915.000.137	915.000.137	915.000.137
3	Guide bush	915.000.178	915.000.178	915.000.178
4	Outer bush	915.000.319	915.000.319	915.000.319
6	Locking nut	915.000.127	915.000.127	915.000.127
7	Locking ring	915.000.190	915.000.190	915.000.190
10	Pin	905.159.002	905.159.002	905.159.002
11	Latch	915.159.001	915.159.001	915.159.001

# TL 2009

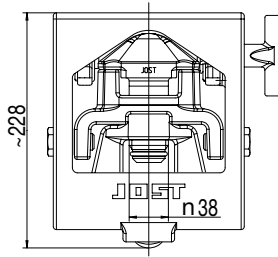


Application: Container chassis in center position  
 Particularly low version, inner parts are rotated by 90° into the casing for lowering  
 rec. gross container weight: max. 25.400 kg  
 Locking pin: ø 38 mm (ISO)  
 can be screwed down, retractable

\* Locking nut loose 129



TL 2009 L-G  
 deployed position

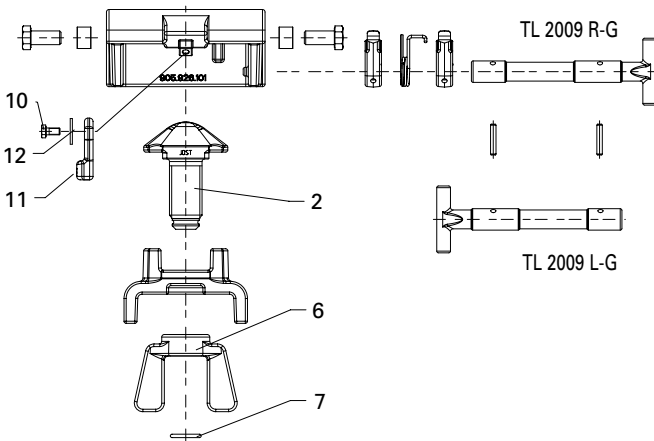


TL 2009 R-G  
 retracted position

## Selection table / available versions

Versions	Weight (kg)	Order No.	Drawing No.
left	13.1	TL 2009 L-G	905.926.020
right	13.1	TL 2009 R-G	905.926.010

## Spare parts



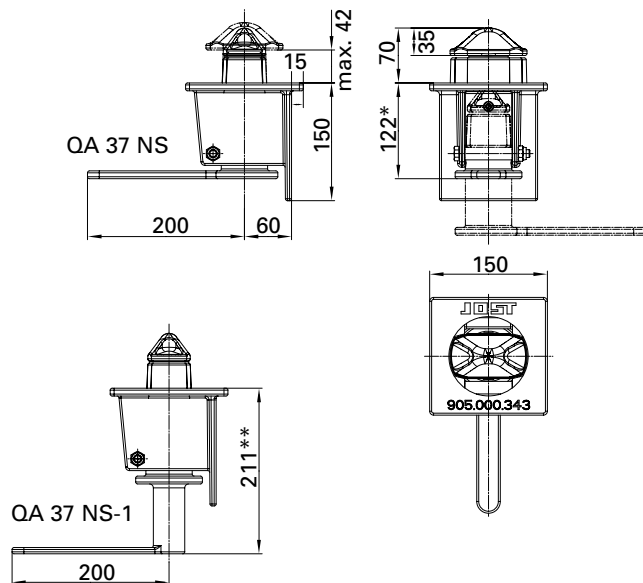
Item	Description	TL 2009 L-G	TL 2009 R-G
2	Locking pin	915.000.193	915.000.193
6	Locking nut	915.000.913	915.000.913
7	Locking ring	915.000.190	915.000.190

## Spare parts kit

Item	Description	Order No.
10, 11, 12	Latch kit	905.159.50



# QA 37 NS



Application: Container chassis in center position  
 rec. gross container weight: max. 25.400 kg  
 Locking pin:  $\varnothing$  38 mm [ISO]  
 retractable, cannot be screwed down  
 Condition at delivery: completely primed

\* retractabled 194

\*\* retractabled 283

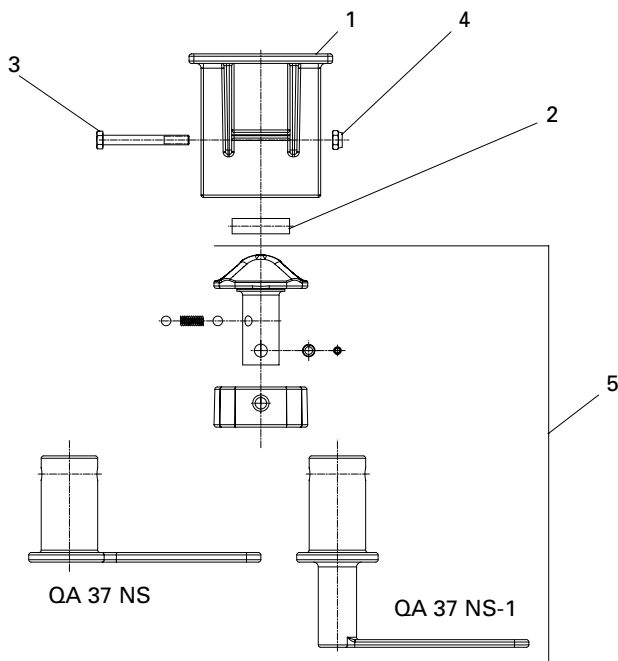
## Selection table / available versions

Versions	Weight (kg)	Order No.	Drawing No.
flat, straight handle	7.9	QA 37 NS	905.674.000
flat, angled handle	8.5	QA 37 NS-1	905.667.000

The QA 37 NS twist lock does not comply with the guidelines of the Federal Minister of Transport. Not licensed in the Federal Republic of Germany since the locking pin cannot be screwed down (export version).

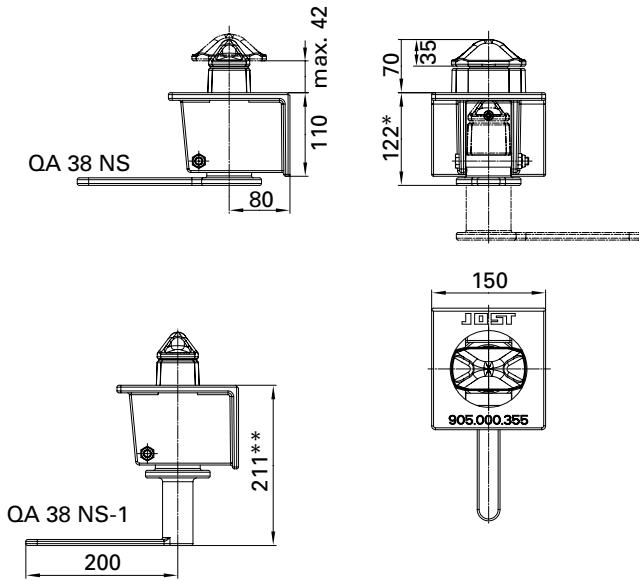


## Spare parts



Item	Description	QA 37 NS	QA 37 NS-1
1	Housing	905.000.343	
2	Spacer	905.376.001	
3	Hex screw	000.001.077	
4	Hex nut	NT0055100	
5	Locking pin, compl.	905.674.400	905.667.400

# QA 38 NS



Application: Container chassis in center position  
 rec. gross container weight: max. 25,400 kg  
 Locking pin:  $\varnothing$  38 mm [ISO]  
 retractable, cannot be screwed down  
 Condition at delivery: completely primed

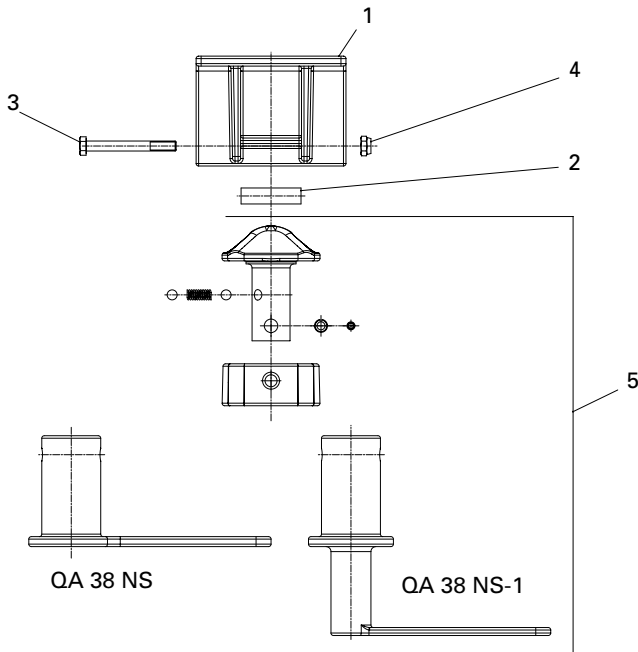
\* retractabled 194  
 \*\* retractabled 283

## Selection table / available versions

Versions	Weight (kg)	Order No.	Drawing No.
flat, straight handle	8.4	QA 38 NS	905.675.000
flat, angled handle	9.0	QA 38 NS-1	905.676.000

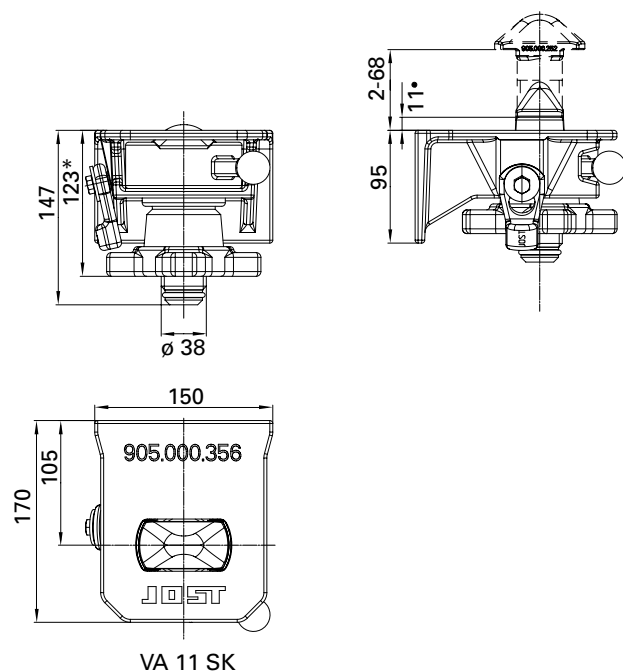
The QA 38 NS twist lock does not comply with the guidelines of the Federal Minister of Transport. Not licensed in the Federal Republic of Germany since the locking pin cannot be screwed down (export version).

## Spare parts



Item	Description	QA 38 NS	QA 38 NS-1
1	Housing	905.000.355	
2	Spacer	905.376.001	
3	Hex screw	000.001.077	
4	Hex nut	NT0055100	
5	Locking pin, compl.	905.674.400	905.667.400

# VA 11 SK



Application: Intermodal vehicle/ trailer  
 rec. gross container weight: max. 10.000 kg  
 Locking pin:  $\varnothing$  38 mm [not ISO]  
 can be screwed down, retractable  
 Screwable latch

\* Locking nut loose 175

- Dimensions in position ready for mounting

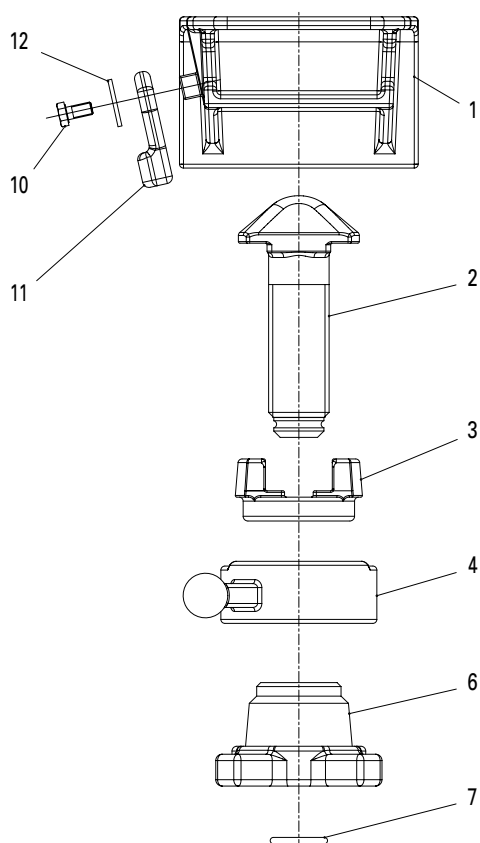
## Selection table / available versions

Weight (kg)	Order No.	Drawing No.
8.6	VA 11 SK	905.189.000

The VA 11 SK twist lock can only be used with the CC 012 corner casting since the dimensions of the locking pin do not comply with the ISO dimensions.



## Spare parts

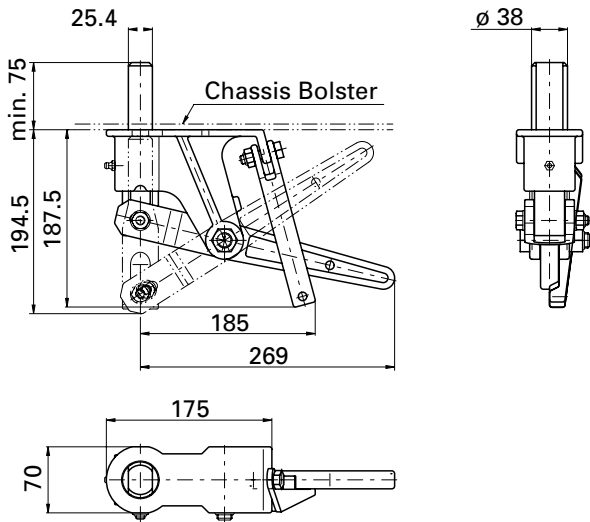


Item	Description		Order No.
1	Housing	incl. Item10-12	905.000.128
2	Locking pin		915.000.252
3	Guide bush		915.000.125
4	Outer bush		915.000.126
6	Locking nut		915.000.208
7	Locking ring		915.000.190

## Spare parts kit

Item	Description	Order No.
10, 11, 12	Latch kit	905.159.500

# FB 55 HL



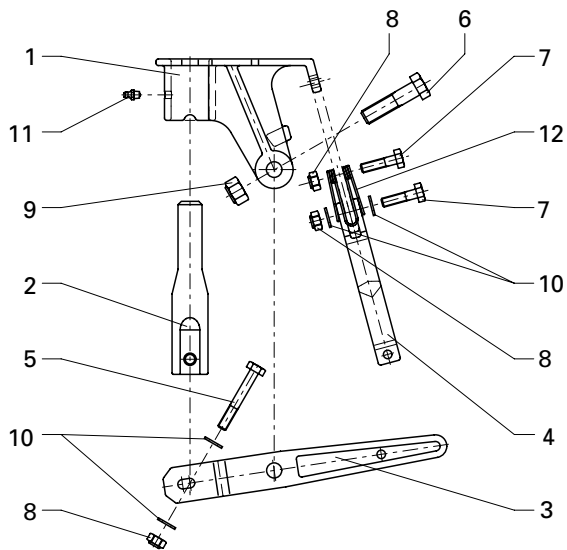
FB 55 HLR

Application: Gooseneck chassis in frontal position  
 rec. gross container weight: max. 34.000 kg  
 cannot be screwed down and non-retractable

## Selection table / available versions

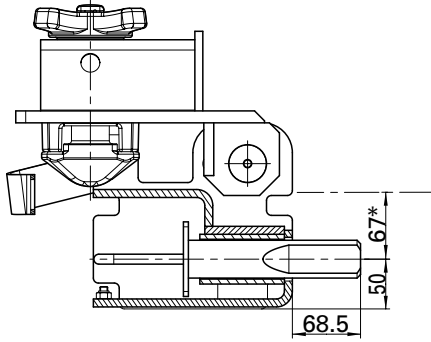
Versions	Weight (kg)	Order No.	Drawing No.
Installation in the direction of travel, right	5.8	FB 55 HLR	905.206.010
Installation in the direction of travel, left	5.8	FB 55 HLL	905.206.020

## Spare parts

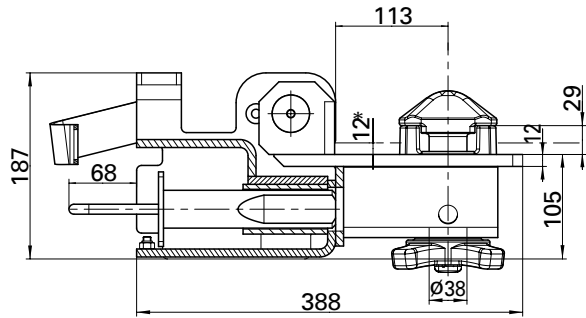


Item	Description	Order No.
1	Housing	905.156.001
2	Locking bar bolt	915.156.002
3	Handle	915.156.003
4	Latch	915.206.001
5	Hex screw	000.001.175
6	Hex screw	000.001.061
7	Hex screw	000.001.125
8	Hex nut	SK 2121-10
9	Hex nut	000.002.001
10	Washer	000.006.047
11	Grease nipple	905.000.185
12	Spring	000.009.002

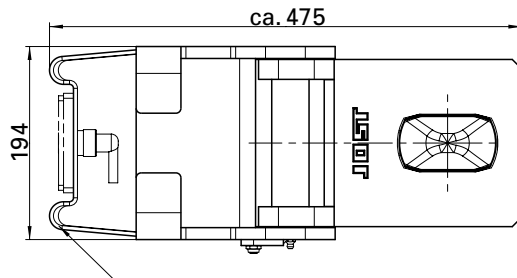
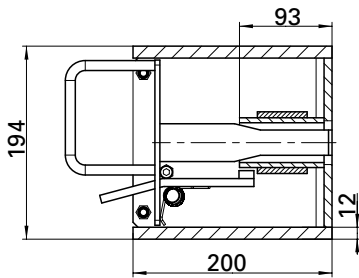
# FB 88 – 14 V



\* top of longitudinal chassis beam



\* top of longitudinal chassis beam



Light holder suitable for Aspöck Flatpoint position lights or light source with comparable connection dimensions. Lights and attachment parts are not included in the JOST delivery.

FB 88 - 14 V

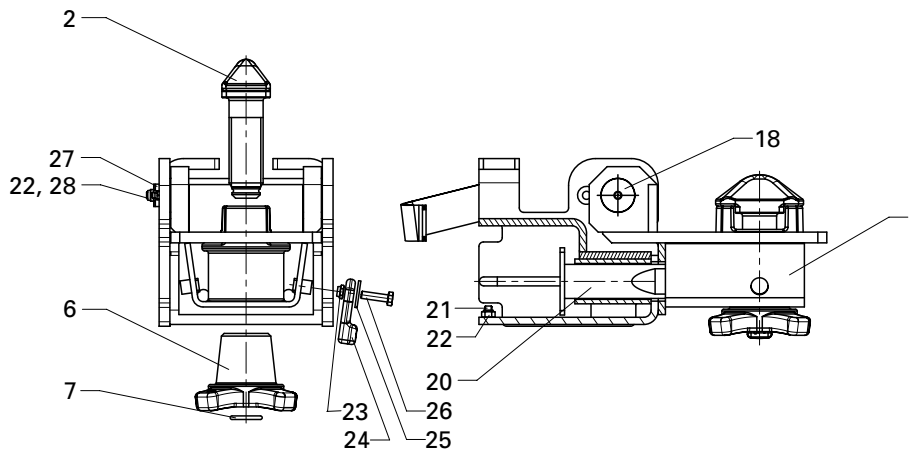
Application: Gooseneck chassis in frontal position  
 rec. gross container weight: max. 34.000 kg  
 Locking pin:  $\varnothing$  38 mm [ISO]  
 Twist lock interior parts: like R 414 F  
 can be clamped, turned and adjusted in height.  
 See the installation examples for gooseneck chassis for details of application.  
 Latch can be mounted on the right or left side, as desired.

## Selection table / available versions

Weight (kg)	Order No.	Drawing No.
30.1	FB 88-14 V	905.661.000

# FB 88 – 14 V

## Spare parts

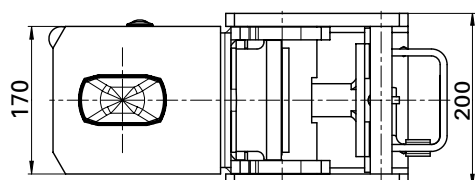
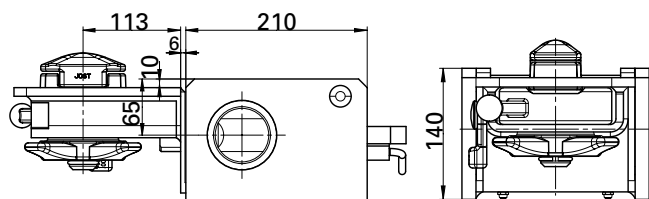


Item	Description	Order No.
1	Housing, galv.	917.661.100
2	Locking pin	915.000.137
6	Locking nut	915.000.127
7	Locking ring	915.000.190
20	Locking bar bolt, compl.	915.661.300
21	Countersunk bolt M8 x 30	000.001.184
22	Nut M8	000.002.017

## Spare parts kit

Item	Description	Order No.
23, 24, 25, 26	Latch kit	915.661.600
18, 22, 27, 28	Pin kit	915.661.700

# FB 89 – 06 VAV



Application : Gooseneck chassis in frontal position

rec. gross container weight: max. 34.000 kg

Locking pin:  $\varnothing$  38 mm [ISO]

Twist lock interior parts: like R 406 VAK-C

can be clamped, turned and retractable.

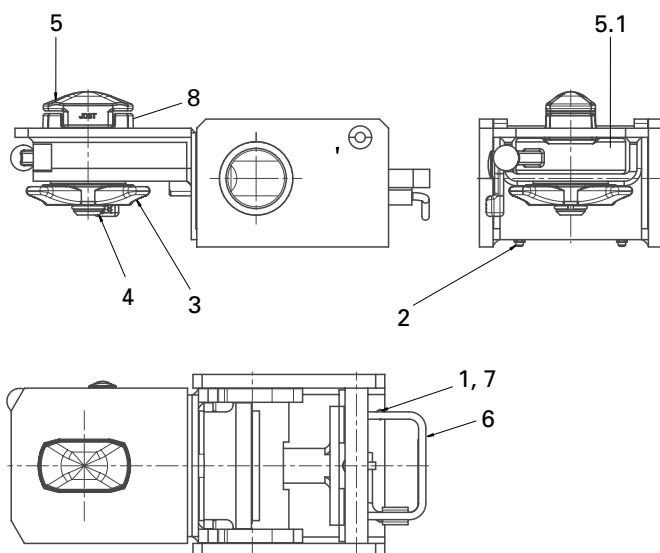
See the installation examples for gooseneck chassis for details of application.

Condition at delivery: Locking parts unmounted

## Selection table / available versions

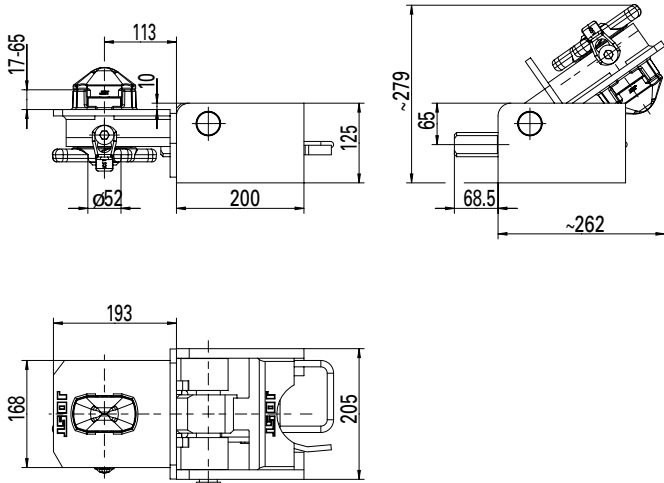
Weight (kg)	Order No.	Drawing No.
30.9	FB 89 - 06 VAV	905.641.000

## Spare parts



Item	Description	Order No.
1	Bolt	000.001.194
2	Nut	000.002.021
3	Locking nut	915.000.303
4	Locking ring	915.000.190
5	Locking pin	915.000.327
5.1	Outer bush	915.000.274
6	Locking bar bolt, compl.	915.625.300
7	Nut	000.002.039
8	Guide bush	915.000.288

# FB 90 F

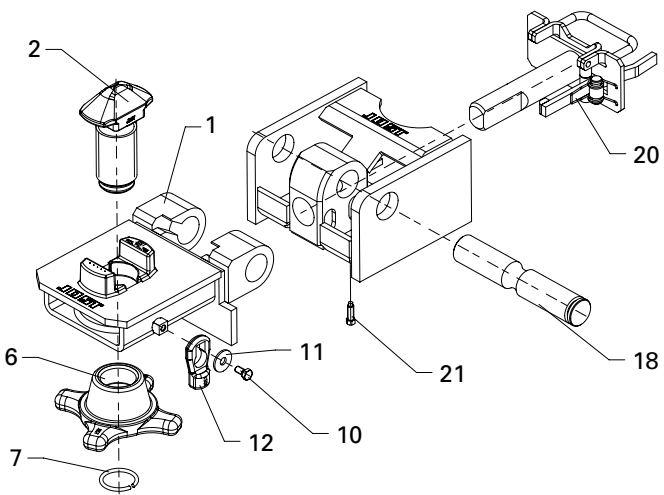


Application : Gooseneck chassis in frontal position  
 rec. gross container weight: max. 34.000 kg  
 Locking pin:  $\varnothing$  52 mm (ISO)  
 Twist lock interior parts: like R 408 F  
 can be screwed down and turned; not retractable  
 See the installation examples for gooseneck chassis for details of application.  
 Condition at delivery: mounted

## Selection table / available versions

Versions	Weight (kg)	Order No.	Drawing No.
primed, inner parts galv.	29.9	FB 90 F	905.714.000
Weld-on hsnng raw, lock mech.			
hot-dip galv., inner parts galv.	29.9	FB 90 FV	905.714.000

## Spare parts



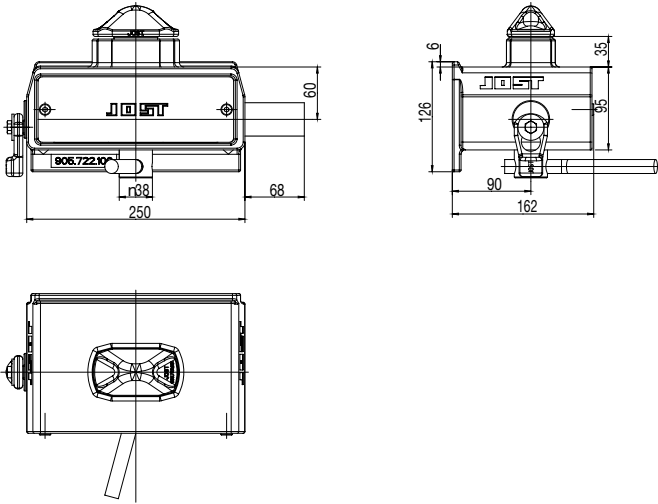
Item	Description	Order No.
1	Twist Lock-Housing, fvz.	917.714.500
2	Locking pin	915.000.189
6	Locking nut	915.000.275
7	Locking ring	915.000.187
18	Lagerbolzen	915.714.101
20	Locking bar bolt, compl.	915.714.400
21	Safety screw	NT0054600

## Spare parts kit

Item	Description	Order No.
10, 11, 12	Latch kit	905.159.500



# FB 91 NS



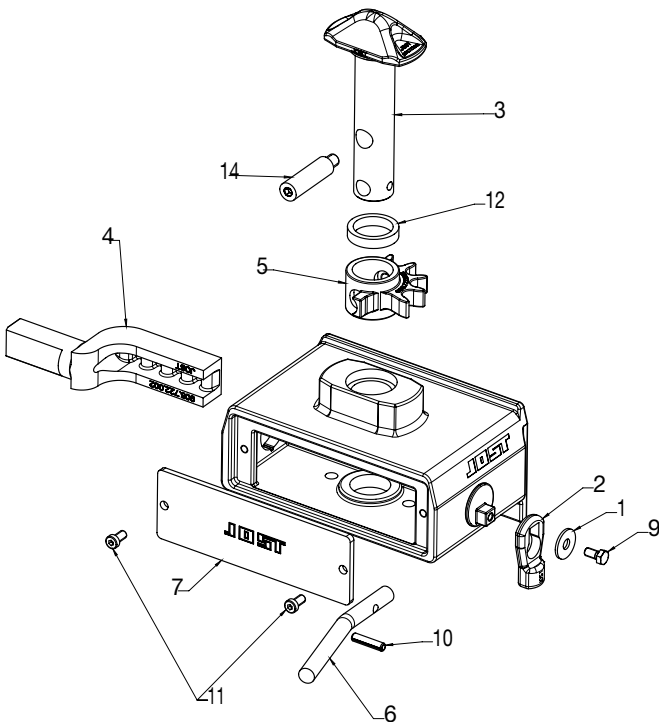
Application : Gooseneck chassis in frontal position  
 rec. gross container weight: max. 34.000 kg  
 Locking pin:  $\varnothing$  38 mm (ISO)  
 non-retractable, cannot be screwed down  
 See the installation examples for gooseneck chassis for details of application.  
 Condition at delivery: unmounted  
 Twist lock can be mounted on the right or left side, as desired.

## Selection table / available versions

Versions	Weight (kg)	Order No.	Drawing No.
Weld-on hsng raw, lock mech. hot-dip galv., inner parts galv.	17,3	FB 91 NS	905.722.000



## Spare parts

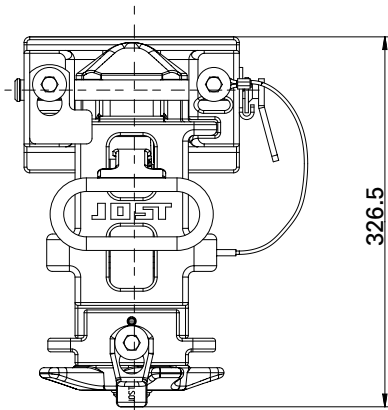


Item	Description	Order No.
3	Locking pin	915.722.001
4	Locking bar bolt	915.722.002
5	gear segment	915.722.003
6	Handle	915.722.005
7	side cover	915.722.006
10	spring pin	NT0058400
11	screw M8x16	NT0058500
12	felt ring	905.722.007
14	screw pin	915.722.004

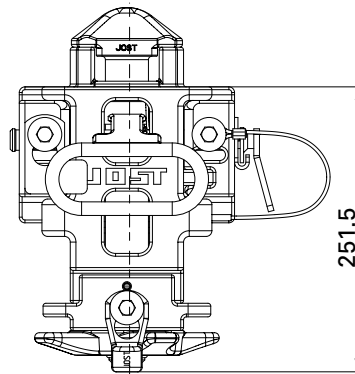
## Spare parts kit

Item	Description	Order No.
1, 2, 9	Latch kit	905.159.500

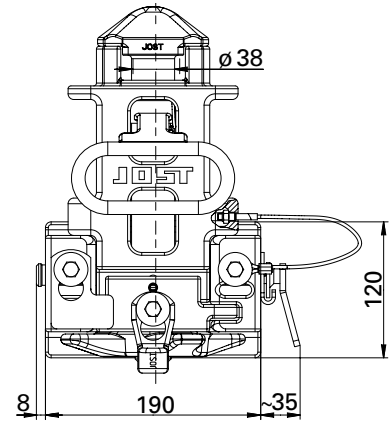
# HV 120V



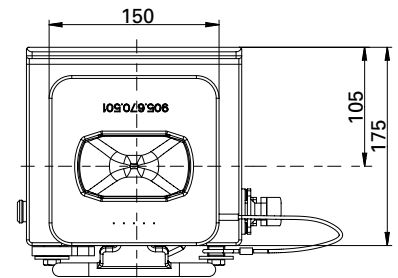
Lowered position



Position 0mm



Position 120mm



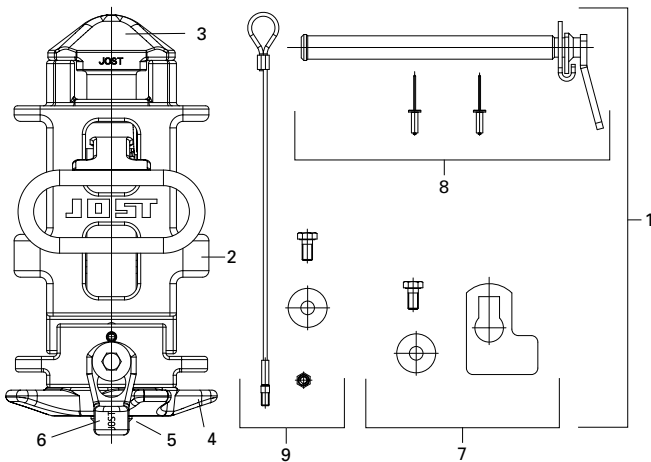
Application : Gooseneck chassis  
 rec. gross container weight: max. 34.000 kg  
 Locking pin:  $\varnothing$  38 mm [ISO]

Appropriate central support for vertical load transmission of the gross container weight has to be assembled on the vehicle side.

## Selection table / available versions

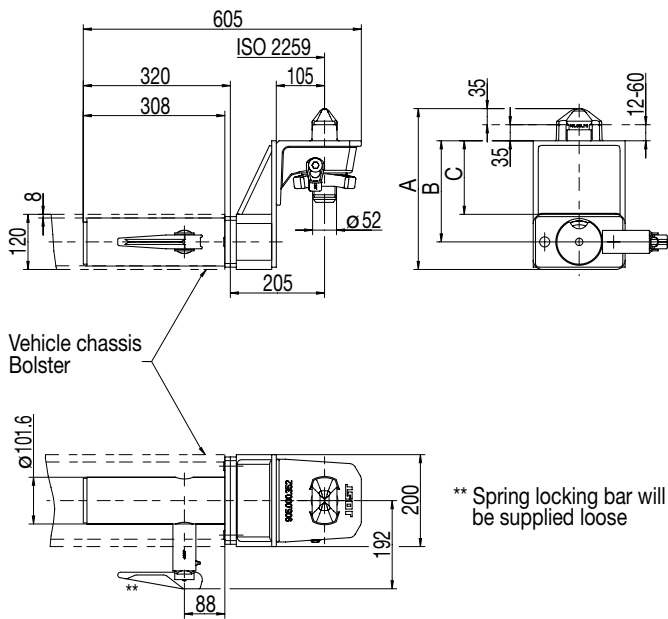
Weight (kg)	Order No.	Drawing No.
24.2	HV 120V	905.670.000

## Spare parts



Item	Description	Order No.
1	Kit mounting parts complete	917.670.900
2	Adapter complete	incl. 3-6 917.670.500
3	Locking pin	915.000.353
4	Locking nut	915.000.303
5	Locking ring	915.000.190
6	Latch kit	905.159.500
7	Safety system kit	905.670.950
8	Pin kit	905.670.960
9	Steel cable kit	905.670.970

# F 02 EINZ



Bolster dimension used: 200 x 120 x 8  
 rec. gross container weight: max. 34.000 kg  
 Locking pin:  $\varnothing$  52 mm [ISO]  
 Twist lock interior parts: like F 02 SK-R  
 can be screwed down and turned  
 Bearing raw, housing primed

Use:

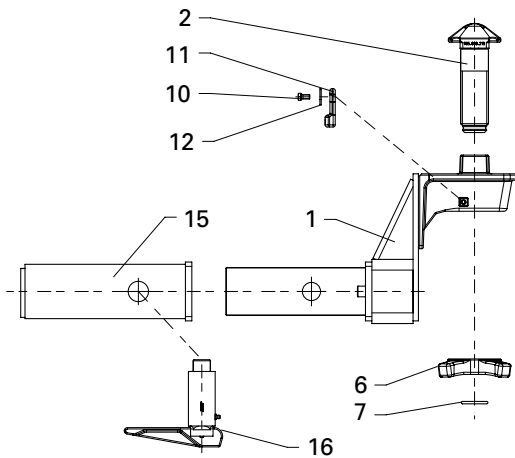
**F 02 EINZ.** - Container chassis pursuant to EN 452 for transporting 40' containers with and without a tunnel

**F 02 EINZ.002** - Gooseneck chassis for transporting standard and gooseneck containers. See the installation examples for gooseneck chassis for details of application.

## Selection table / available versions

A (mm)	B (mm)	C (mm)	Weight (kg)	Order No.	Drawing No.
350	220	160	35.4	F 02 EINZ.	905.172.100
310	180	120	34.4	F 02 EINZ.002	905.438.100

## Spare parts

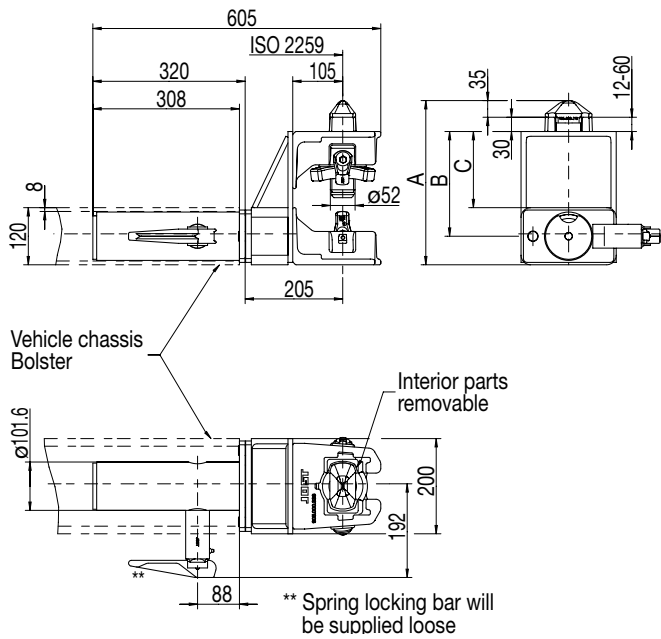


Item	Description	F 02 EINZ	F 02 EINZ.002
1	Housing	905.172.400	905.438.400
2	Locking pin	915.000.213	915.000.213
6	Locking nut	915.000.088	915.000.088
7	Locking ring	915.000.187	915.000.187
15	Bearing	905.172.200	905.172.200
16	Spring locking bar	641.120.000	641.120.000

## Spare parts kit

Item	Description	Order No.
10, 11, 12	Latch kit	905.159.500

# FD 02 DOPP



Bolster dimension used: 200 x 120 x 8  
 rec. gross container weight: max. 34.000 kg  
 Locking pin:  $\varnothing$  52 mm [ISO]  
 Twist lock interior parts: like FD 02 SK-R  
 can be clamped, turned and adjusted in height  
 Bearing raw, housing primed, mounting parts galvanised

Use:

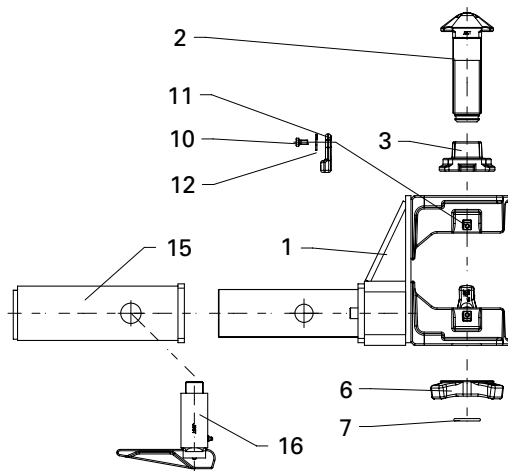
**FD 02 DOPP.** - Container chassis pursuant to EN 452 for transporting 40' containers with and without a tunnel

**FD 02 DOPP02** - Gooseneck chassis for transporting standard and gooseneck containers. See the installation examples for gooseneck chassis for details of application.

## Selection table / available versions

A (mm)	B (mm)	C (mm)	Weight (kg)	Order No.	Drawing No.
345	220	160	43.2	FD 02 DOPP.	905.172.000
305	180	120	42.2	FD 02 DOPP02	905.438.000

## Spare parts

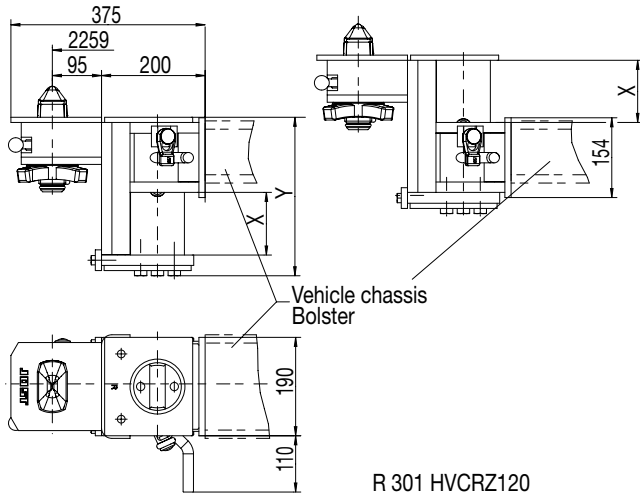


Item	Description	FD 02 DOPP.	FD 02 DOPP02
1	Housing	905.172.300	905.438.300
2	Locking pin	915.000.213	915.000.213
3	Guide bush	915.000.217	915.000.217
6	Locking nut	915.000.088	915.000.088
7	Locking ring	915.000.187	915.000.187
15	Bearing	905.172.200	905.172.200
16	Spring locking bar	641.120.000	641.120.000

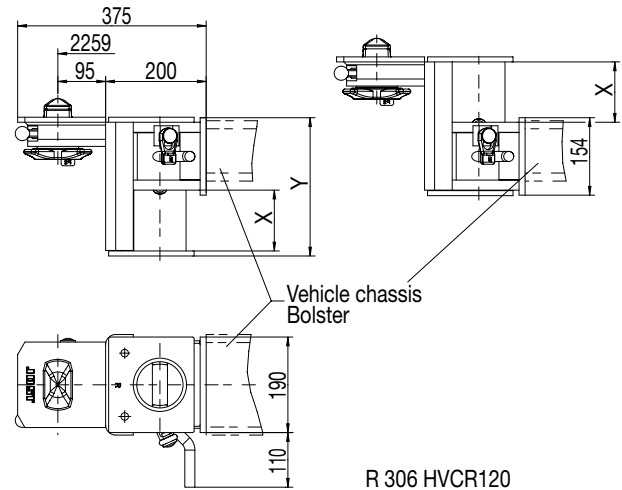
## Spare parts kit

Item	Description	Order No.
10, 11, 12	Latch kit	905.159.500

# HVC with locking kit



R 301 HVCRZ120



R 306 HVCR120

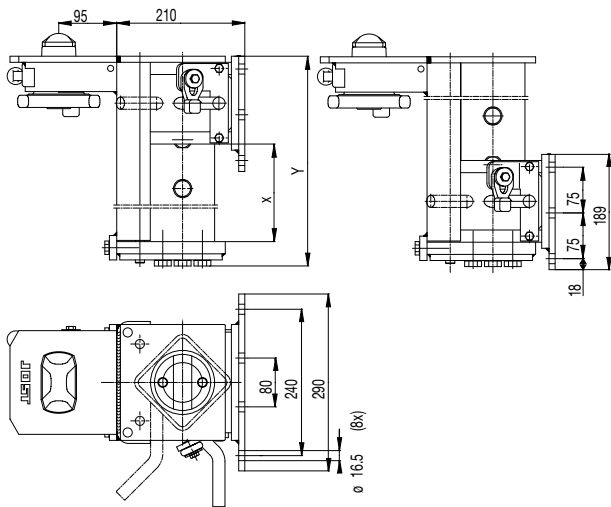
Fit suitable centre supports on vehicle to provide vertical load support for the entire weight of the container.

## Selection table / available versions

X (mm)	Y (mm)	Twist lock	Weight (kg)	Application	HVC demountable	Height adjustment	Order No.	Drawing No.
100	236	R 306 VA	35.6	W	no	simple	R 306 HVCR100	905.704.010
100	236	R 306 VA	35.6	W	no	simple	R 306 HVCL100	905.704.020
120	306	R 301 VA	49.0	C	yes	simple	R 301 HVCRZ120	905.579.010
120	306	R 301 VA	49.0	C	yes	simple	R 301 HVCLZ120	905.579.020
120	306	R 302 F	46.5	C	yes	simple	R 302 HVCRZ120	905.580.010
120	306	R 302 F	46.5	C	yes	simple	R 302 HVCLZ120	905.580.020
120	276	R 306 VA	37.7	W	no	simple	R 306 HVCR120	905.703.010
120	276	R 306 VA	37.7	W	no	simple	R 306 HVCL120	905.703.020
160	316	R 306 VA	39.9	W	no	simple	R 306 HVCR160	905.702.010
160	316	R 306 VA	39.9	W	no	simple	R 306 HVCL160	905.702.020
200	356	R 306 VA	41.4	W	no	simple	R 306 HVCR200	905.702.010
200	356	R 306 VA	41.4	W	no	simple	R 306 HVCL200	905.702.020
250	406	R 306 VA	43.4	W	no	simple	R 306 HVCR250	905.702.010
250	406	R 306 VA	43.4	W	no	simple	R 306 HVCL250	905.702.020
120/220/335	487	–	38.0	W	no	multiple	HVC-001 R	905.508.010
120/220/335	487	–	38.0	W	no	multiple	HVC-001 L	905.508.020
120/240	396	–	33.2	W	no	multiple	HVC-002 R	905.590.010
120/240	396	–	33.2	W	no	multiple	HVC-002 L	905.590.020

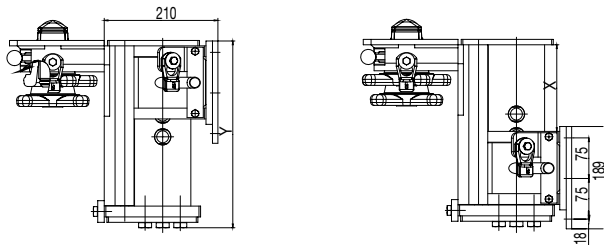
C = container chassis maximum gross weight of the swap body max. 34 t; W = intermodal vehicle / trailer maximum gross weight of the swap body max. 18 t  
All HVS are available individually without locking kit.

# HVC with locking kit



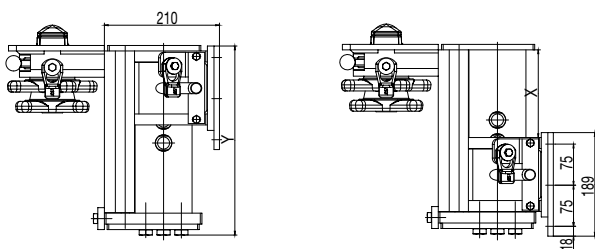
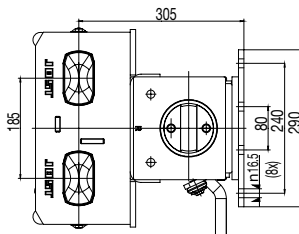
HVC (dismountable), completely ready-for-assembly with twist lock R 305 VA and back plate  
 Hot-dip galvanised housing  
 mounting parts galvanised, mounted  
 Application: Intermodal vehicle/ trailer

X	Y	Weight (kg)	Order No.	Drawing No.
120	304	48.9	R 305HVCRZ120	905.639.010
120	304	48.9	R 305HVCLZ120	905.639.020
160	344	49.7	R 305HVCRZ160	905.648.010
160	344	49.7	R 305HVCLZ160	905.648.020
200	384	51.2	R 305HVCRZ200	905.648.010
200	384	51.2	R 305HVCLZ200	905.648.020



HVC (dismountable), completely ready-for-assembly with symmetric mounted double twist lock R 305 VA and back plate  
 Hot-dip galvanised housing  
 Mounting parts galvanised, mounted  
 Application: Intermodal vehicle/ trailer for transport of swap bodies C745 and C782

X	Y	Weight (kg)	Order No.	Drawing No.
120	304	60.9	R 305HVCRZ12D	905.720.010
120	304	60.9	R 305HVCLZ12D	905.720.020
160	344	63.1	R 305HVCRZ16D	905.725.010
160	344	63.1	R 305HVCLZ16D	905.725.020
200	384	64.6	R 305HVCRZ20D	905.725.010
200	384	64.6	R 305HVCLZ20D	905.725.020

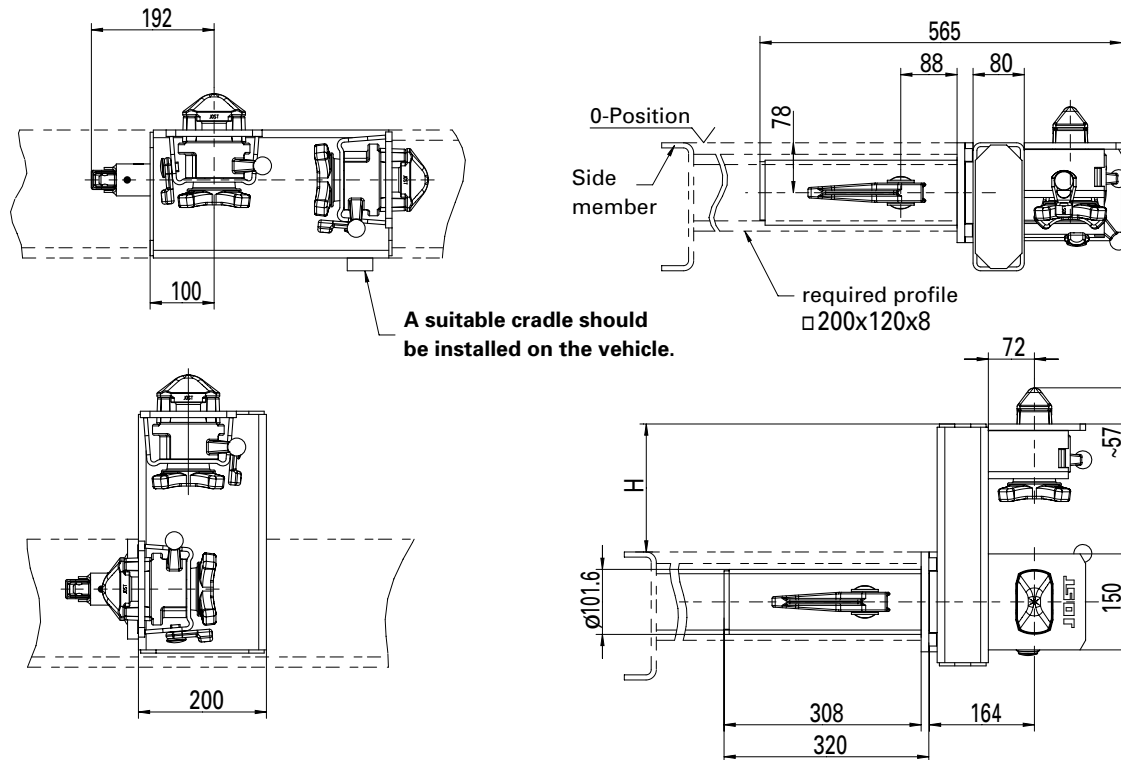


HVC (dismountable), completely ready-for-assembly with asymmetric mounted double twist lock R 305 VA and back plate  
 Hot-dip galvanised housing  
 Mounting parts galvanised, mounted  
 Application: Intermodal vehicle/ trailer for transport of swap bodies C745 and C782

X	Y	Weight (kg)	Order No.	Drawing No.
120	304	61.2	R 305HVCRZ12LD	905.720.012
120	304	61.2	R 305HVCLZ12RD	905.720.021
160	344	63.4	R 305HVCRZ16LD	905.725.012
160	344	63.4	R 305HVCLZ16RD	905.725.021
200	384	65.0	R 305HVCRZ20LD	905.725.012
200	384	65.0	R 305HVCLZ20RD	905.725.021

*Appropriate central support for vertical load transmission of the gross container weight has to be assembled on the vehicle side.*

# R 316 ZWEI



## multiple height adjustment

Application: Intermodal vehicle / trailer  
with different parking heights (jumbo containers)  
maximum gross container weight 16.000 kg

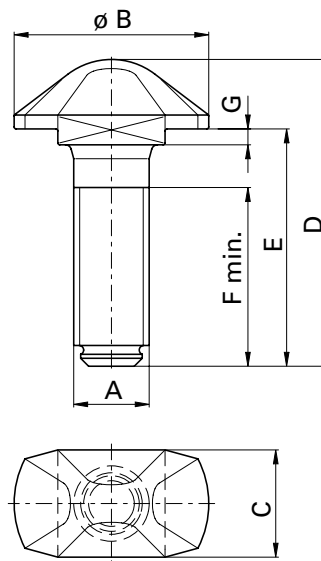
Fit suitable centre supports on vehicle to provide vertical load support for the entire weight of the container.

## Selection table / available versions

Versions	Height adjustment H1 - H2	Weight (kg)	Order No.	Drawing No.
left	0 - 200	42.9	R 316 ZWEI 07 L	905.607.020-07
right	0 - 200	42.9	R 316 ZWEI 07 R	905.607.010-07
left	0 - 250	44.2	R 316 ZWEI 08 L	905.607.020-08
right	0 - 250	44.2	R 316 ZWEI 08 R	905.607.010-08
left	0 - 300	45.4	R 316 ZWEI 06 L	905.607.020-06
right	0 - 300	45.4	R 316 ZWEI 06 R	905.607.010-06

Design R316 THREE with triple height adjustment on request.

# Locking pin with thread limited by a ring



## Selection table / available versions

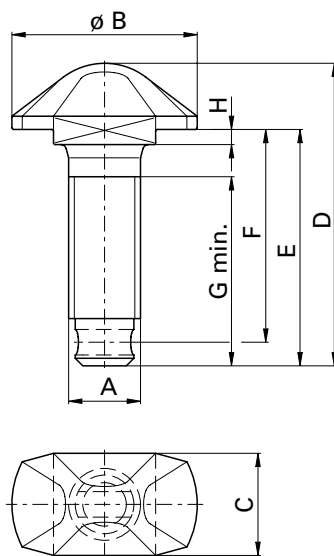
Application	A (mm)	ø B (mm)	C (mm)	D (mm)	E (mm)	F (mm)	G (mm)	Order No.
TL 2009	TR36x6	100	57	136	104	85	7	905.000.910*
TL 1018 K, TL 1019 K, TL 2006, TL 2030	TR36x6	100	57	146	114	95	7	905.000.904*
R 406 VAK, R 407 VAK, QT 160-6, QT 166-80	TR38x4	98	54	121	100	77	8	915.000.289
F 17 SKA, TL 2009 G	TR38x4	98	54	125	90	74	8	915.000.193
R 306 VAV-VH, R 406 VAK-C, QT 206 V-C	TR38x4	98	54	136	114	65	18	915.000.327
F 10 SK-R, R 411 VAK-R, VA 11 SK	TR38x4	76	40	152	122	96	6	915.000.252
R 414 F, R 434 F, VA 16 SNK, R 416 VAK, R 316 VAP, R 436 VAK, VA 36 SK, R 1018, SR 514 FQ, SR 516 VAQ	TR38x4	98	54	155	120	90	8	915.000.137
F 14 SK-R	TR38x4	98	54	185	150	110	8	915.000.250
HV 120V	TR38x4	98	54	315	280	90	8	915.000.353
R 405 VAN	TR52x5	98	54	107	85	62	8	915.000.314
R 405 VAK, R 305 VAP, QT 160, QT 160-80, QT 200	TR52x5	98	54	123	102	79	12	915.000.276
R 404 VAK, R 312 VA, R 313 F	TR52x5	98	54	153	118	90	12	915.000.189
FD 02 SKN-R	TR52x5	98	54	184	149	115	12	915.000.335
FD 02 SK-R, F 02 SK-R, R 402 F-R, VA 01 SK, R 401 VAK, SR 502 FQ, SR 501 VAQ, QT 401 VAV, QT 402 FV	TR52x5	98	54	204	169	111	12	915.000.213
Adapter kit 917.437.500	TR52x5	98	54	345	310	280	12	915.000.318

\* Lock by Clamping pin 6x36.

Note: Always replace locking ring after dismantling locking pin.



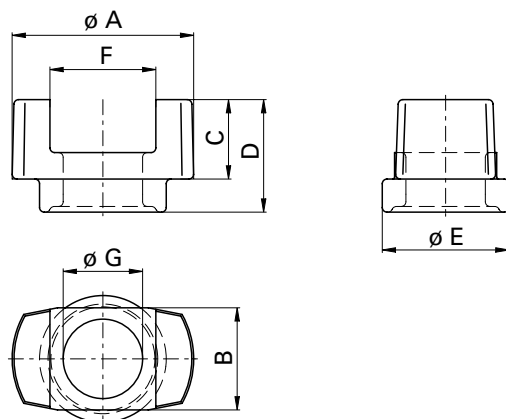
# Locking pin with thread limited by a toggle



## Selection table / available versions

Application	A (mm)	ø B (mm)	C (mm)	D (mm)	E (mm)	F (mm)	G (mm)	H (mm)	Order No.
TL 1018, TL 1019	TR36x6	100	57	223	191	180	163	7	915.000.900
F 14 SK-KN	TR38x4	98	54	205	170	158	100	8	915.000.138
F 02 SK-KN, FD 02 SK-KN	TR52x5	98	54	225	190	173	167	12	915.000.051
R 403 F	TR52x5	98	54	235	195	182	110	12	915.000.359

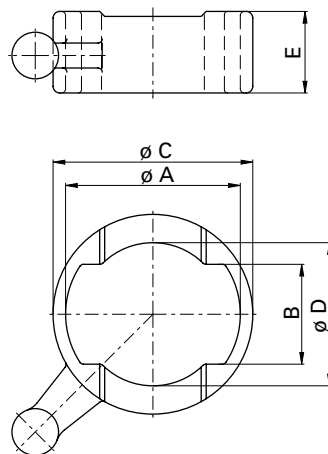
# Guide bush



## Selection table / available versions

Application	A (mm)	B (mm)	C (mm)	D (mm)	E (mm)	F (mm)	ø G (mm)	Order No.
R 404 VAK	100	57	28	49	84	57	53	915.000.109
R 411 VAK, VA 11 SK	80	42	24	39	70	42	40	915.000.125
VA 01 SK, R 401 VAK, SR 501 VAQ, QT 401 VAV	100	57	42	83	84	57	53	915.000.161
VA 16 SNK, R 416 VAK, R 316 VAP, VA 36 SK, R 436 VAK, R 1018, SR 516 VAQ	98	56	42	60	67	57	40	915.000.178
R 405 VAK, QT 160, QT 160-80, QT 200	100	57	29	39	84	57	53	915.000.273
R 406 VAK, R 407 VAK, QT 160-6, QT 166-80	100	57	29	39	84	57	40	915.000.288
TL 1018 I	100	57/62	23	45	-	59	38	915.000.902
TL 1018	100	57	-	40	-	59	38	915.000.911
R 312 VA	100	65	39	57	76	57	53	915.000.322

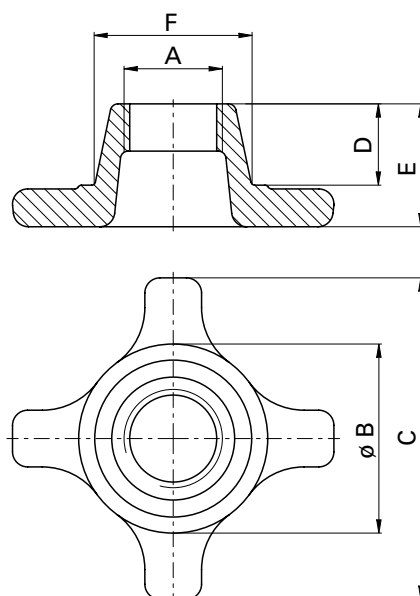
# Outer bush



## Selection table / available versions

Application	A (mm)	B (mm)	ø C (mm)	ø D (mm)	E (mm)	Order No.
R 404 VAK	105	60	120	86	49	915.000.108
R 411 VAK, VA 11 SK	81	43	98	71	39	915.000.126
VA 01 SK, R 401 VAK, SR 501 VAQ, QT 401 VAV	105	60	120	86	65	915.000.160
VA 16 SNK, R 416 VAK, R 316 VAP, VA 36 SK, R 436 VAK, SR 516 VAQ	100	58	112	69	58	915.000.177
R 405 VAK, QT 160, QT 160-80, QT 200, R 406 VAK, R 407 VAK, QT 160-6, QT 166-80	105	60	120	86	39	915.000.274
R 1018	100	58	112	69	60	915.000.319
R 312 VA	102	52	112	78	58	915.000.324

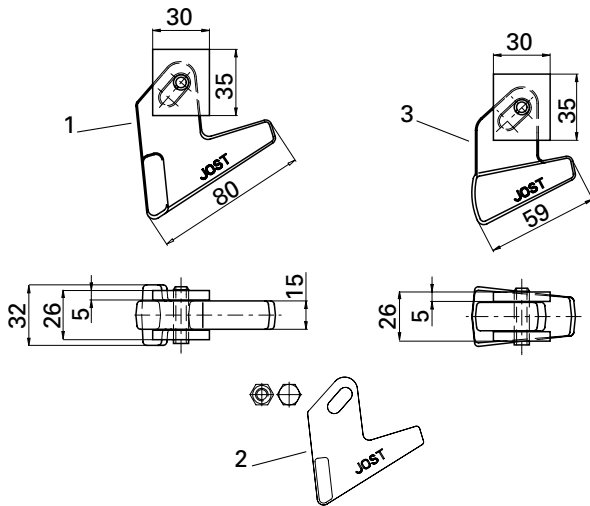
# Locking nut



## Selection table / available versions

Application	A (mm)	$\varnothing B$ (mm)	C (mm)	D (mm)	E (mm)	$\varnothing F$ (mm)	Order No.
TL 1018, TL 1019	TR36x6	77	145	67	90	66	915.000.901
TL 2030	TR36x6	72	130	22	40	56	905.000.907
TL 2006	TR36x6	72	100	42	60	56	905.000.908
F 14 SK, F 10 SK	TR38x4	84	140	-	25	-	915.000.077
R 414 F, R 434 F, VA 16 SNK, R 416 VAK, R 316 VAP, R 436 VAK, VA 36 SK, R 1018, SR 514 FQ, SR 516 VAQ	TR38x4	84	140	57	82	67	915.000.127
F 17 SKA, R 407 VAK, R 411 VAK-R, VA 11 SK	TR38x4	84	130	40	65	53	915.000.208
R 406 VAK, QT 160-6, QT 166-80, HV 120V	TR38x4	100	170	43	65	83	915.000.303
SR 516 VAQ-N	TR38x4	84	140	57	67	67	915.000.277
VA 01 SK, R 401 VAK, R 404 VAK, QT 401 VAV	TR52x5	100	170	46	75	83	915.000.072
F 02 SK, R 402 F, FD 02 SK	TR52x5	100	170	-	29	-	915.000.088
R 405 VAK, R 305 VAP, QT 160, QT 160-80, QT 200	TR52x5	100	170	43	65	83	915.000.275
R 405 VAN	TR52x5	100	170	43	60	83	915.000.313
R 312 VA, R 313 F	TR52x5	84	140	57	82	76	915.000.323

# Security latch with a short and a long front latch

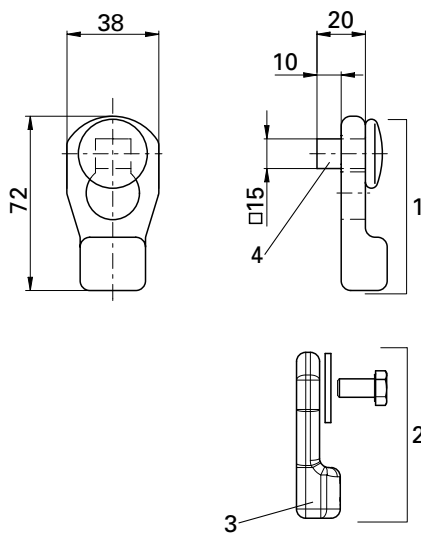


Application: To secure the clamp nuts on twist locks and bolsters to prevent their being released accidentally.

## Selection table / available versions

Item	Versions	Weight (kg)	Order No.
1	long front latch with holder	0.5	905.396.000
2	long front latch screwable	0,5	905.396.500
3	short front latch with holder	0.4	905.320.000

# Security latch standard



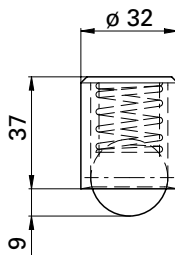
Application: To secure the clamp nuts on twist locks and bolsters to prevent their being released accidentally. Suitable for all twist locks except F 10 SK, R 411 VAK, R 316 VAP and R 306 VAP.

Material: Steel

## Selection table / available versions

Item	Versions	Weight (kg)	Order No.
1	Weldable, complete	0.25	905.159.000
2	Latch, complete	0.25	905.159.500
3	Pin	0.15	915.159.001
4	Screwable	0.10	905.159.002

# Ball lock



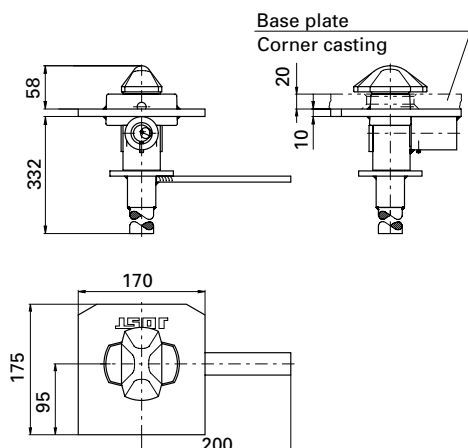
Application: To secure the clamp nuts on twist locks and bolsters to prevent their being released accidentally. Suitable for all twist locks F 10 SK, R 411 VAK, R 316 VAP, R 305 VAP and comparable versions.

## Selection table / available versions

Versions	Weight (kg)	Order No.
Steel	0.1	905.000.143

# Anti-theft lock DS 300

The anti-theft lock is used to secure swap bodies. It works by inserting the anti-theft lock into the twist lock opening in the corner casting.



Housing: Steel construction (primed)

Locking pin:  $\varnothing$  38 mm [ISO]

Lock: Quality cylinder lock, protected from dust and water, for normal locking and locking systems.

Notes: Quote the code number for ordering additional keys or cylinder locks for locking systems.

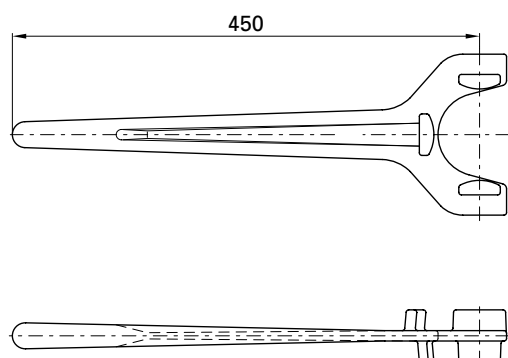
## Selection table / available versions

Weight (kg)	Order No.	Drawing No.
7.0	DS 300	905.406.000



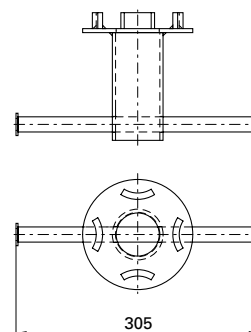
# Spanner for twist locks

The clamp nuts are released and tightened using the spanner.



Type Universal

Designed to secure all locks except type R 305 VAP / R 316 VAP.



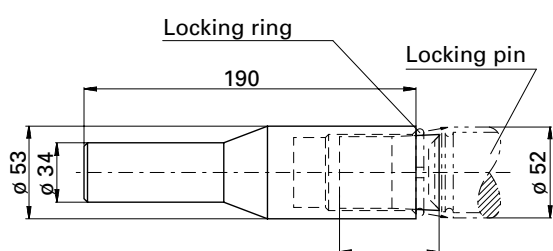
Type KH

## Selection table / available versions

Application	Weight (kg)	Order No.
R 305 VAP (Type KH)	2.4	905.472.000
R 316 VAP (Type KH)	2.4	905.089.000
all others (Type Universal)	2.7	915.259.000

# Installation tool for locking rings

The installation tools are used to install the locking rings for container twist locks.

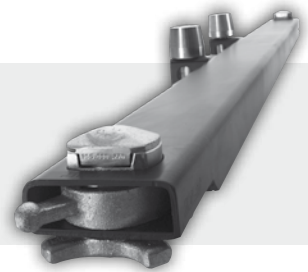


MW 52 for locking pin  $\varnothing$  52

## Selection table / available versions

Verwendung	Weight (kg)	Order No.
Locking pin $\varnothing$ 52	2.1	905.001.000
Locking pin $\varnothing$ 38	1.7	905.002.000

# Bolsters



Flexibility, compatibility, stability and safety are the basic parameters for a future-oriented motor pool. JOST ensures that these parameters can be satisfied with its international quality standards and a global sales and after sales service network.

Bolters with integrated twist locks connect containers to the carrier vehicle. The twist locks must always be used as set out in the instructions in the operating manual for the relevant vehicle. In Germany you must comply with the TÜV regulations and the Road Traffic Act StVZO, as well as the existing standards.

## Load details for twist locks and bolsters

**The basis for the load details is provided by static test bench tests that comply with the JOST testing standard.**

The details for the maximum gross container weight only apply:

- For securing and transporting standard containers, such as freight containers that comply with ISO 1496, interchangeable containers that comply with EN 284 or EN 452 or directly comparable versions.
- If at least four twist locks of the same load group are used for each container.
- For almost uniform load distribution (load in the interchangeable container).
- For transport on metalled roads.

The details for the maximum gross container weight do not apply:

- To special applications, such as crane bodies, tipping containers, etc.

# Product range of bolsters

rec. gross container weight*	Twist lock retractable	Twist lock interior parts galvanized	Integrated guide roller	Intermodal vehicle / trailer	Locking pin diameter	Inner parts identical with type of twist lock	Weight	Order No.	Drawing No.	Figure see page ...
max.(kg)					(mm)		(kg)			
18.000		•		•	∅ 52	R 405 VAK	62.5	QT 160-80 V	410.150.000	88
				•	∅ 52	R 405 VAK	74.8	QT 160-80 RV	410.151.000	90
				•	∅ 38	R 406 VAK	61.1	QT 166-80 V	410.183.000	88
		•		•	∅ 38	R 406 VAK	73.4	QT 166-80 RV	410.168.000	90
				•	∅ 52	R 405 VAK	81.5	QT 200-60 V	410.201.000	88
		•		•	∅ 52	R 405 VAK	96.5	QT 200-60 RV	410.202.000	90
	200			•	∅ 38	R 416 VAK	110.8	QT HV 200	410.181.000	94
	120			•	∅ 52	R 405 VAK	139.2	QT HV120-05	410.199.000	92
	150			•	∅ 52	R 405 VAK	140.7	QT HV150-05	410.203.000	92
	200			•	∅ 52	R 405 VAK	143.2	QT HV200-05	410.200.000	92
	120			•	∅ 52	R 405 VAK	153	QT HV120 A	410.215.000	93
	150			•	∅ 52	R 405 VAK	155	QT HV150 A	410.12.000	93
	200			•	∅ 52	R 405 VAK	158.8	QT HV200 A	410.213.000	93
25.000				•	∅ 52	R 405 VAK V	76.2	QT 200 V	410.081.000	80
		•		•	∅ 52	R 405 VAK V	88.7	QT 200 RV	410.139.000	90
34.000			•				132.9	QT FB2004V	410.191.000	95
			•				72.0	QT FB45FT	410.140.000	97

Information for the vehicle construction:

\* Depends on the centre to centre distance between the longitudinal supports

All bolsters are delivered unmounted.

All spare parts with item number 915.xxx.xxx are zinc-plated.

For replacement lock kit parts, see page 80.

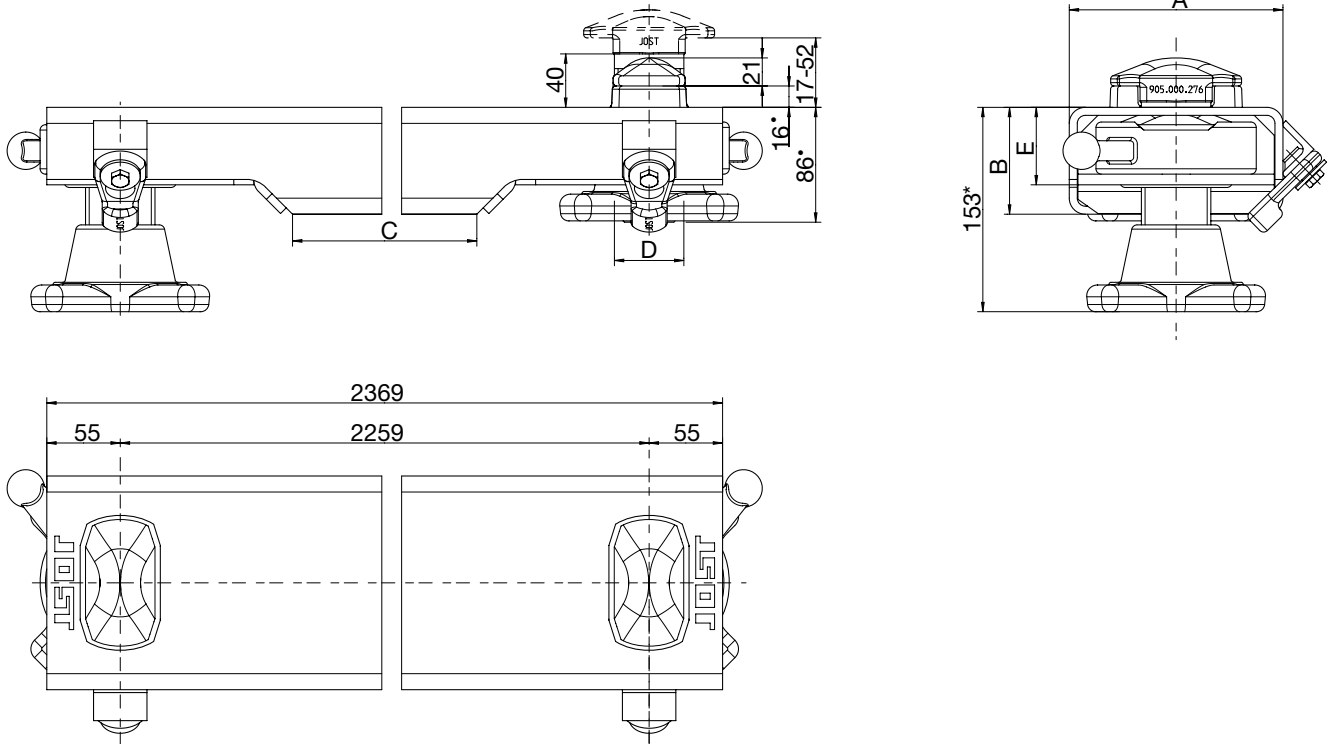
For operating keys, see page 80.

Indications for mounting of the locking ring:

- For the installation of the locking ring an appropriate tool has to be used.
- Intallation tool locking ring, please see page 85.
- The locking ring has principally to be replaced after dismantling the inner part of the twist lock.



# QT 160-80 V / QT 200 V / QT 200-60 V



Application: Intermodal vehicle  
 Rectangular tube, both ends flattened and closed internally

\* Locking nut loose; screwed down = 123

- Dimensions in position ready for mounting

## Selection table / available versions

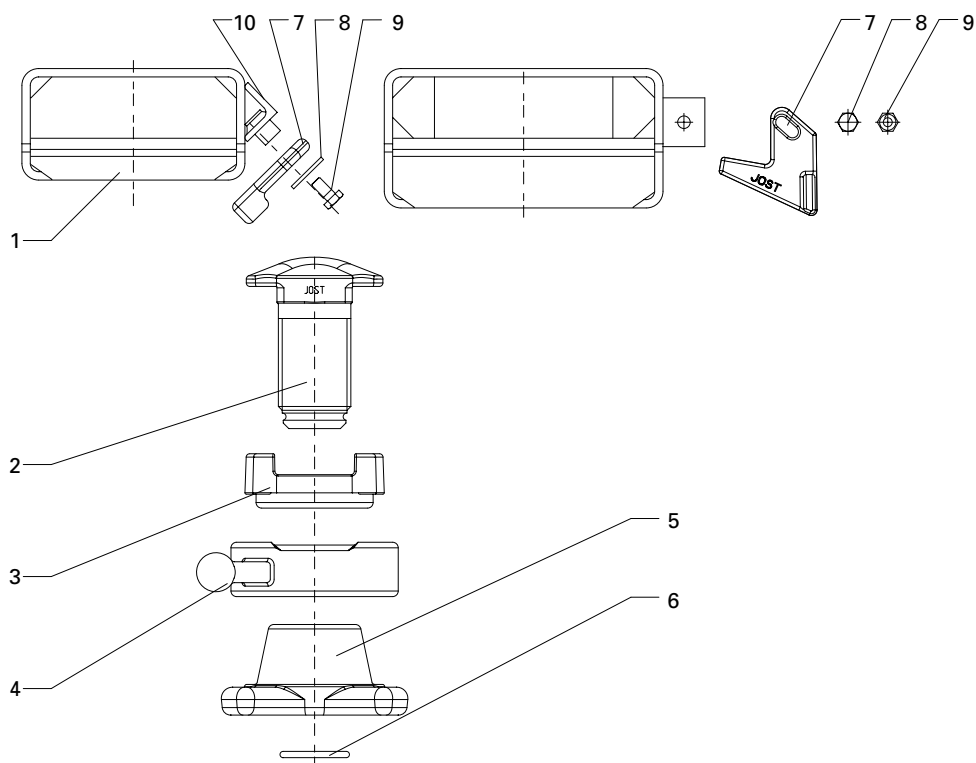
Rec. gross container weight* (max. kg)	A (mm)	B (mm)	C (mm)	D (mm)	E (mm)	Weight (kg)	Surface bolsters	Inner parts identical with	Order No.	Drawing No.
18.000	160	80	ca. 2000	∅ 52	58	62.5	primed	R 405 VAKV	QT 160-80 V	410.150.000
18.000	160	80	ca. 2000	∅ 52	58	62.5	raw	R 405 VAKV	QT 160-80 VX	
18.000	160	80	ca. 2000	∅ 38	58	61.1	primed	R 406 VAKV	QT 166-80 V	410.183.000
18.000	160	80	ca. 2000	∅ 38	58	61.1	raw	R 406 VAKV	QT 166-80 VX	
25.000	200	100	ca. 1970	∅ 52	58	76.2	primed	R 405 VAKV	QT 200 V	410.081.000
25.000	200	100	ca. 1970	∅ 52	58	76.2	raw	R 405 VAKV	QT 200 VX	
18.000	200	60	2369	∅ 52	60	81.5	primed	R 405 VAKV	QT 200-60 V	410.201.000

\* Depends on the centre to centre distance between the longitudinal supports.  
 All mounting parts galvanised, for surface bolsters see table.



# QT 160-80 V / QT 200 V / QT 200-60 V

## Spare parts

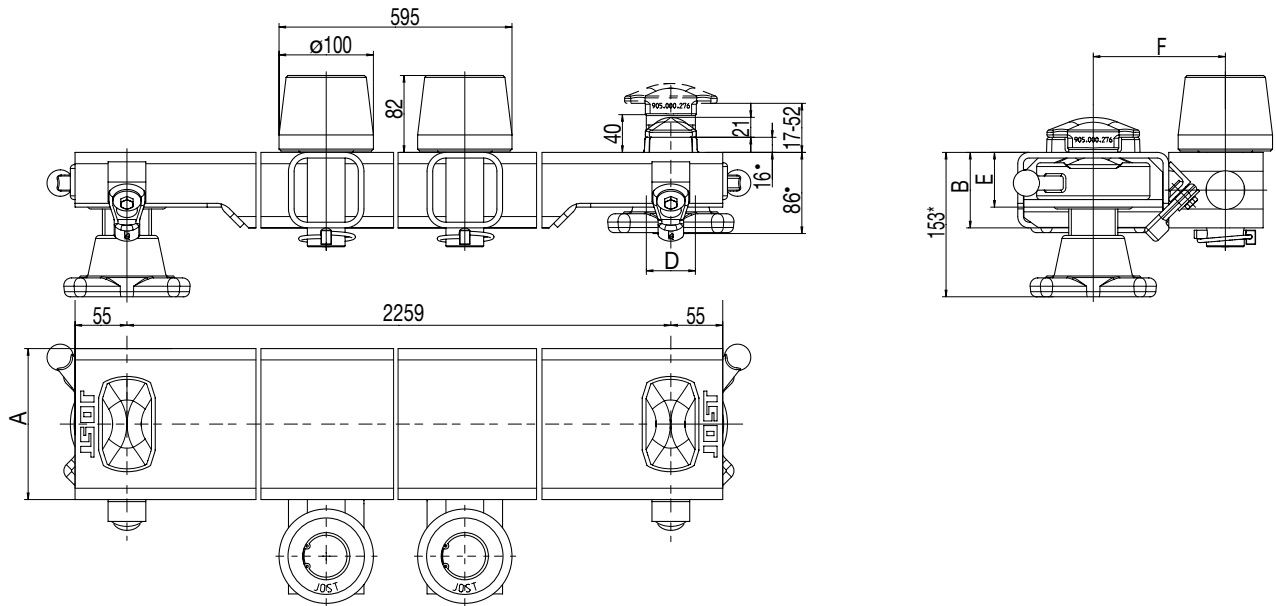


Item	Description	QT 160-80 V	QT 166-80 V	QT 200 V	QT 200-60 V
1	Bolsters	410.206.100	410.206.100	410.208.100	410.201.100
2	Locking pin	915.000.276	915.000.289	915.000.276	915.000.276
3	Guide bush	915.000.273	915.000.288	915.000.273	915.000.273
4	Outer bush	915.000.274	915.000.274	915.000.274	915.000.274
5	Locking nut	915.000.275	915.000.303	915.000.275	915.000.275
6	Locking ring	915.000.187	915.000.190	915.000.187	915.000.187
10	Welding bracket	410.173.200	410.173.200	-	-

## Spare parts

Item	Description	QT 160-80 V	QT 166-80 V	QT 200 V	QT 200-60 V
7, 8, 9	Latch kit	905.159.500	905.159.500	905.396.500	905.396.500

# QT 160-80 RV / QT 200 RV / QT 200-60 RV



Application: Intermodal vehicle  
 Rectangular tube, both ends flattened and closed internally

\* Locking nut loose; screwed down = 123

• Dimensions in position ready for mounting

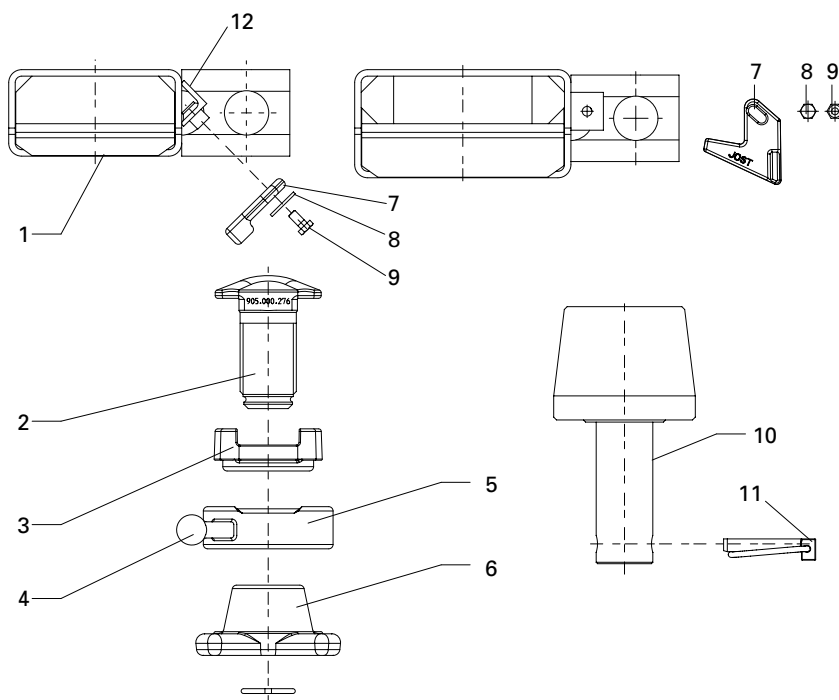
## Selection table / available versions

Rec. gross container weight* (max. kg)	A (mm)	B (mm)	C (mm)	D (mm)	E (mm)	F (mm)	Weight (kg)	Surface Bolsters	Inner parts identical with	Order No.	Drawing No.
18.000	160	80	ca. 2000	Ø 52	58	140	74.8	primed	R 405 VAKV	QT 160-80 RV	410.151.000
18.000	160	80	ca. 2000	Ø 52	58	140	74.8	raw	R 405 VAKV	QT 160-80 RVX	
18.000	160	80	ca. 2000	Ø 38	58	140	73.4	primed	R 406 VAKV	QT 166-80 RV	410.168.000
18.000	160	80	ca. 2000	Ø 38	58	140	73.4	raw	R 406 VAKV	QT 166-80 RVX	
25.000	200	100	ca. 1970	Ø 52	58	160	88.7	primed	R 405 VAKV	QT 200 RV	410.139.000
25.000	200	100	ca. 1970	Ø 52	58	160	88.7	raw	R 405 VAKV	QT 200 RVX	
18.000	200	60	2369	Ø 52	60	160	96.5	primed	R 405 VAKV	QT 200-60 RV	410.202.000

\* Depends on the centre to centre distance between the longitudinal supports.  
 All mounting parts galvanised, for surface bolsters see table.

# QT 160-80 RV / QT 200 RV / QT 200-60 RV

## Spare parts

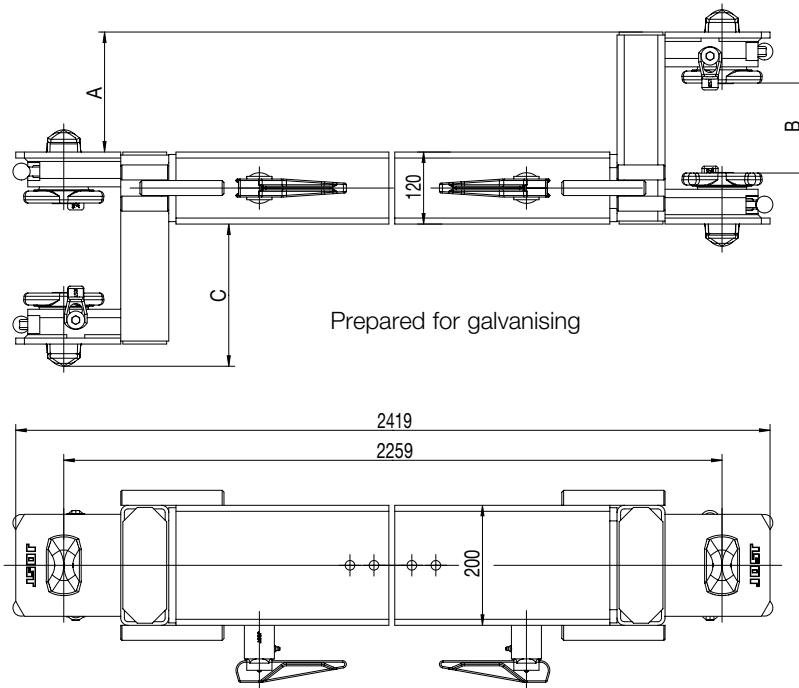


Item	Description	QT 160-80 RV	QT 166-80 RV	QT 200 RV	QT 200-60 V
1	Bolsters	410.207.100	410.207.100	410.209.100	410.201.100
2	Locking pin	915.000.276	915.000.289	915.000.276	915.000.276
3	Guide bush	915.000.273	915.000.288	915.000.273	915.000.273
4	Outer bush	915.000.274	915.000.274	915.000.274	915.000.274
5	Locking nut	915.000.275	915.000.303	915.000.275	915.000.275
6	Locking ring	915.000.187	915.000.190	915.000.187	915.000.187
10	Guide roller	650.002.073	650.002.073	650.002.073	650.002.073
11	Folding pin	000.008.008	000.008.008	000.008.008	000.008.008
12	Welding bracket	410.173.200	410.173.200	-	-

## Spare parts

Item	Description	QT 160-80 RV	QT 166-80 RV	QT 200 RV	QT 200-60 V
7, 8, 9	Latch kit	905.159.500	905.159.500	905.396.500	905.396.500

# QT HV



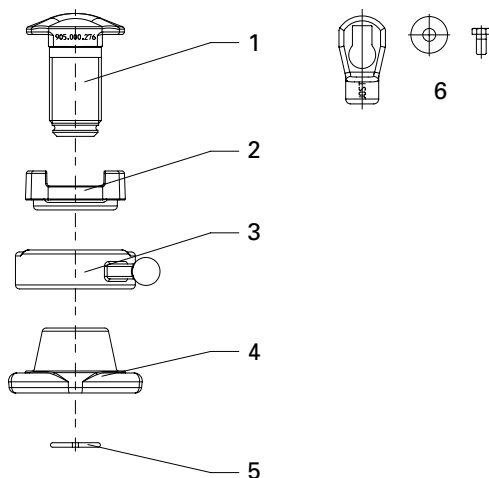
Secure cross-member correctly, as well as fitting suitable centre supports on vehicle to provide vertical load support for the entire weight of the container.

## Selection table / available versions

Rec. gross container weight* (max. kg)	A (mm)	B (mm)	C (mm)	Weight (kg)	Inner parts identical with	Order No.	Drawing No.
18.000	120	70	157	139.2	R 405 VAK	QT HV120-05	410.199.000
18.000	150	100	187	140.7	R 405 VAK	QT HV150-05	410.203.000
18.000	200	150	237	143.2	R 405 VAK	QT HV200-05	410.200.000

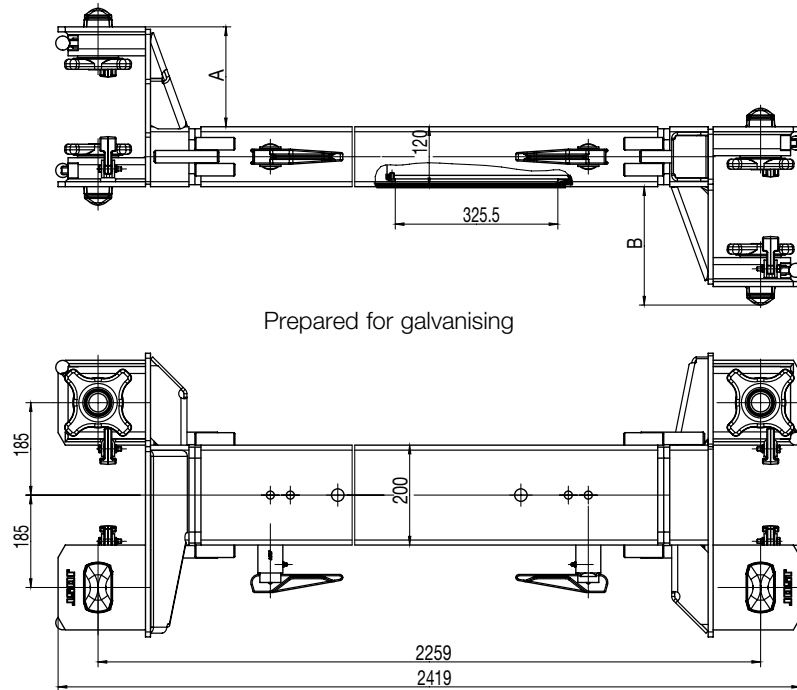
\* Depends on the centre to centre distance between the longitudinal supports.  
 Locking parts galvanised, welding assemblies primend, mounted

## Spare parts



Item	Description	Order No.
1	Locking pin	915.000.276
2	Guide bush	915.000.273
3	Outer bush	915.000.274
4	Locking nut	915.000.275
5	Locking ring	915.000.187
6	Latch kit	905.159.500

# QT HV



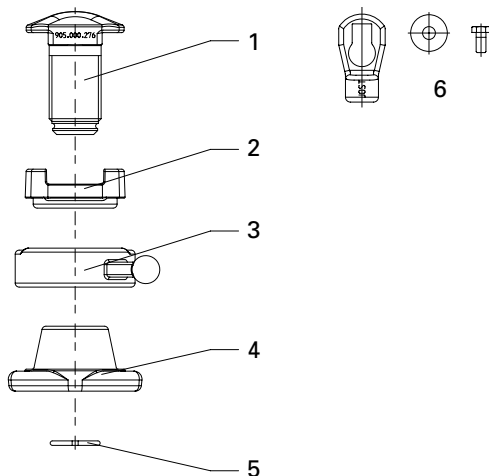
Secure cross-member correctly, as well as fitting suitable centre supports on vehicle to provide vertical load support for the entire weight of the container.

## Selection table / available versions

Rec. gross container weight* (max. kg)	A (mm)	B (mm)	Weight (kg)	Inner parts identical with	Order No.	Drawing No.
18.000	120	157	153	R 405 VAK	QT HV120A	410.215.000
18.000	150	187	155	R 405 VAK	QT HV150A	410.212.000
18.000	200	237	158,5	R 405 VAK	QT HV200A	410.213.000

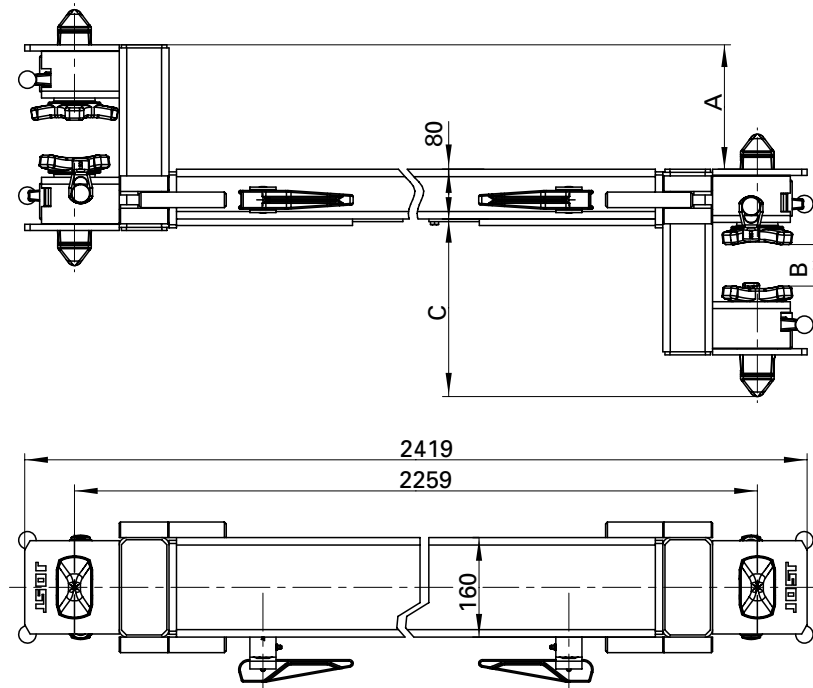
\* Depends on the centre to centre distance between the longitudinal supports.  
Locking parts galvanised, welding assemblies raw, unmounted

## Spare parts



Item	Description	Order No.
1	Locking pin	915.000.276
2	Guide bush	915.000.273
3	Outer bush	915.000.274
4	Locking nut	915.000.275
5	Locking ring	915.000.187
6	Latch kit	905.159.500

# QT HV 200



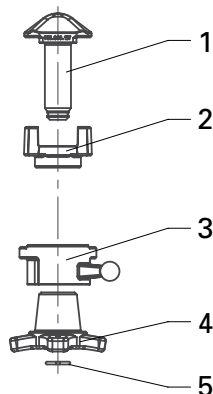
Secure cross-member correctly, as well as fitting suitable centre supports on vehicle to provide vertical load support for the entire weight of the container.

## Selection table / available versions

Rec. gross container weight* (max. kg)	A (mm)	B (mm)	C (mm)	Weight (kg)	Inner parts identical with	Order No.	Drawing No.
18.000	200	67	285,5	110.8	VA 16	QT HV200	410.181.000

\* Depends on the centre to centre distance between the longitudinal supports.  
 Locking parts galvanised, welding assemblies primend, mounted

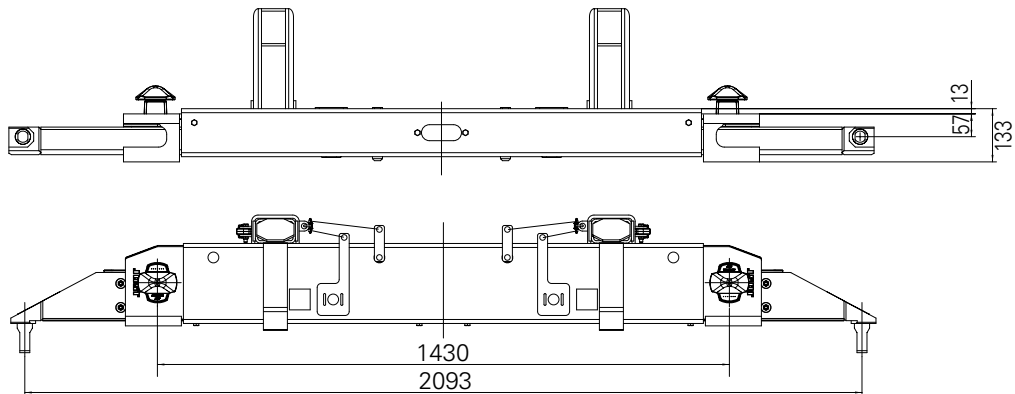
## Spare parts



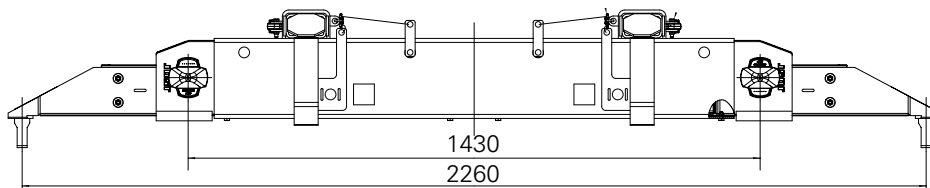
Item	Description	Order No.
1	Locking pin	915.000.137
2	Guide bush	915.000.178
3	Outer bush	915.000.177
4	Locking nut	915.000.127
5	Locking ring	915.000.190

# QT FB2004V

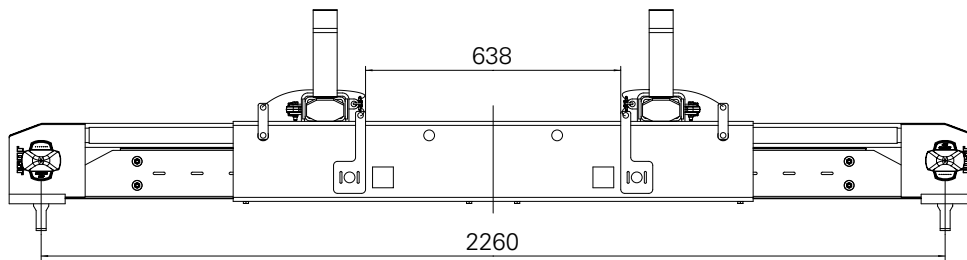
## Adjustment for 45' Euro containers



## Adjustment for 40' gooseneck containers



## Adjustment for 20' and 40' flat bottom containers



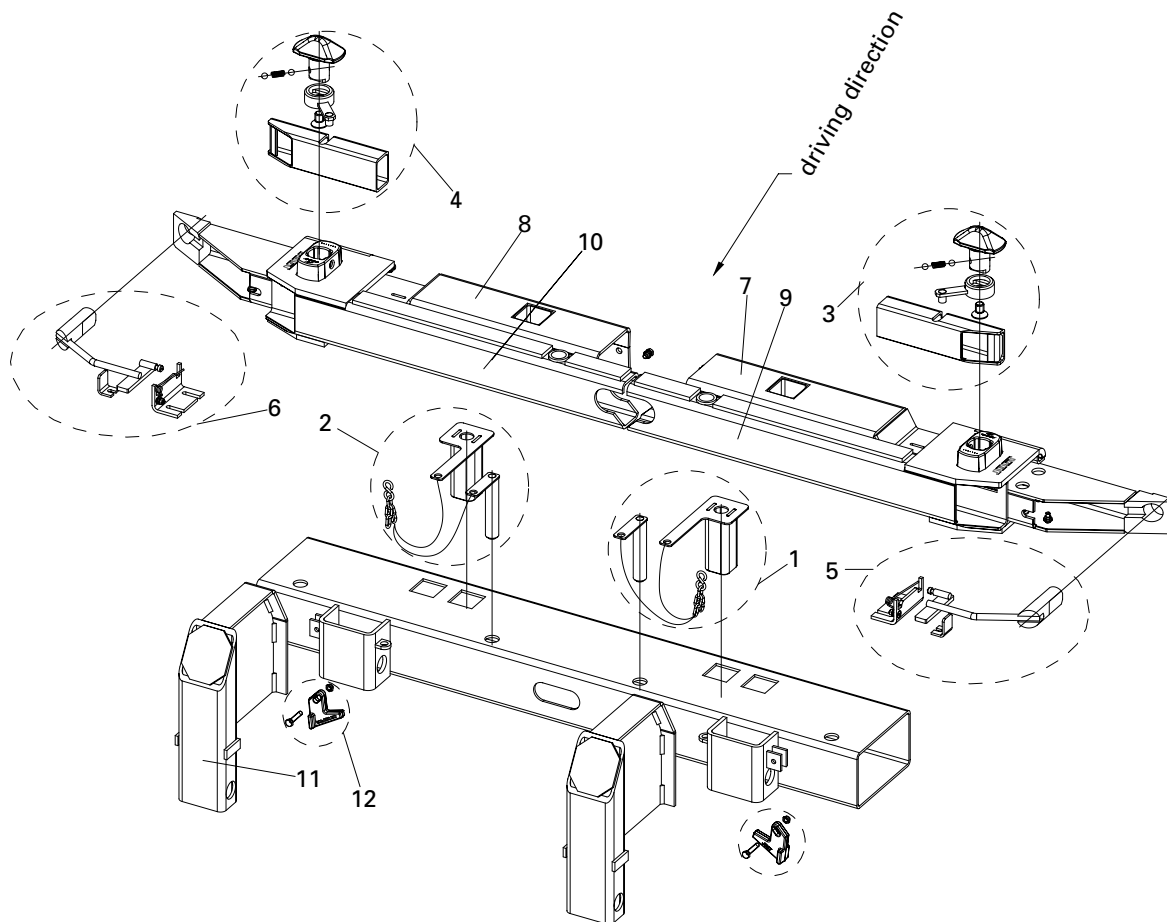
Application: Gooseneck chassis in frontal position  
 Suitable for transporting 45' Euro containers in compliance with the maximum vehicle lengths of European Directive 96/56/EC.  
 Surface: Center section raw, stop and inserts hot-dip galvanised, mounting parts galvanised

### Selection table / available versions

Weight (kg)	Order No.	Drawing No.
132.9	QT FB2004V	410.191.000

# QT FB2004V

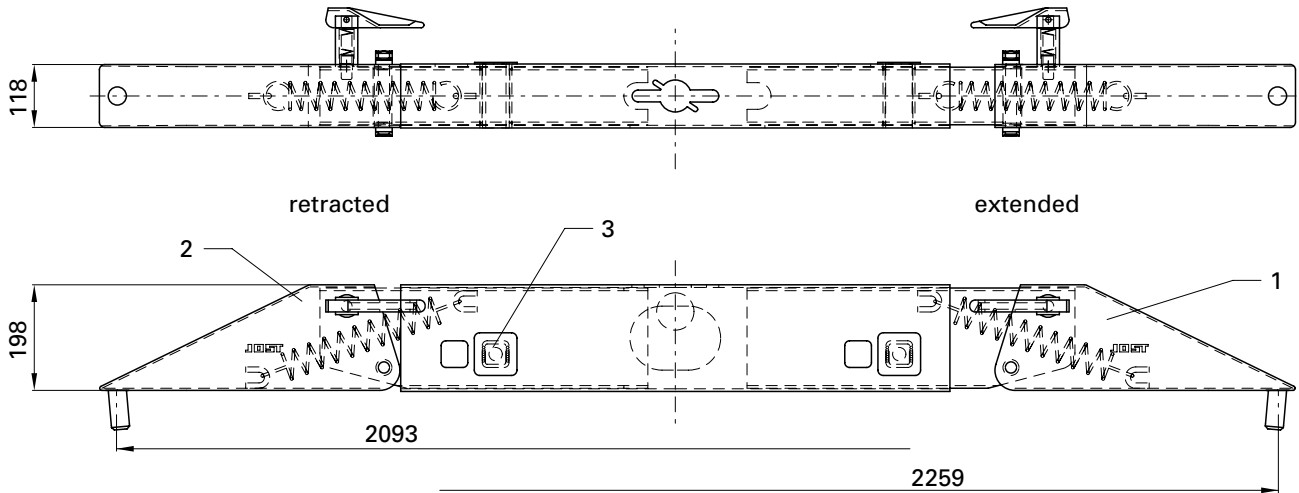
## Spare parts



Item	Description	Order No.
1	Pin kit, left	410.197.001
2	Pin kit, right	410.197.002
3	Lock kit, left	410.197.003
4	Lock kit, right	410.197.004
5	Horizontal lock kit, left	410.197.005
6	Horizontal lock kit, right	410.197.006
2, 4, 6, 8, 10	Mounting parts kit QT FB2004V, right	417.195.910
1, 3, 5, 7, 9	Mounting parts kit QT FB2004V, left	417.195.920
11	Stop galv.	417.197.020
12	Nose latch, long, galv.	905.396.500



# Winglock



Application: Gooseneck chassis in frontal position  
 Suitable for transporting 45' Euro containers in compliance with the maximum vehicle lengths of European Directive 96/56/EC.  
 Surface: compl. raw

### Selection table / available versions

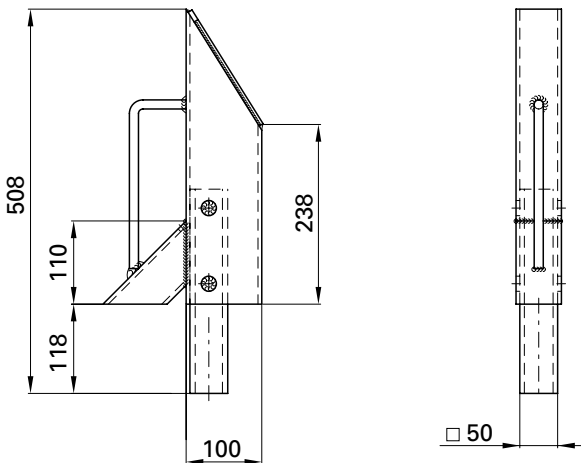
Weight (kg)	Order No.	Drawing No.
72.0	QT FB45FT	410.140.000



### Spare parts

Item	Description	Order No.
1	45'-Insert right	410.140.410
2	45'-Insert left	410.140.420
3	Pin, standard	410.140.300

# Accessories



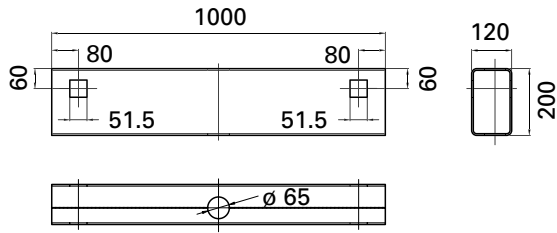
Stud for winglock

Application: Support tool for containers to replace the standard pins in the winglock.  
 Surface: hot-dip galvanised

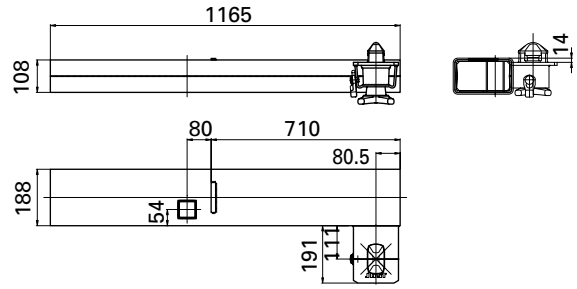
### Selection table / available versions

Weight (kg)	Order No.	Drawing No.
7.0	410.140.500	410.140.500

# Accessories



Center section



Insert right / left

## Accessories for 40'position

### Selection table / available versions

Weight (kg)	Order No.	Drawing No.
23.0	410.140.100	410.140.000

Surface: Center section raw and inserts raw, locking parts galvanised.

## Accessories for 40'position

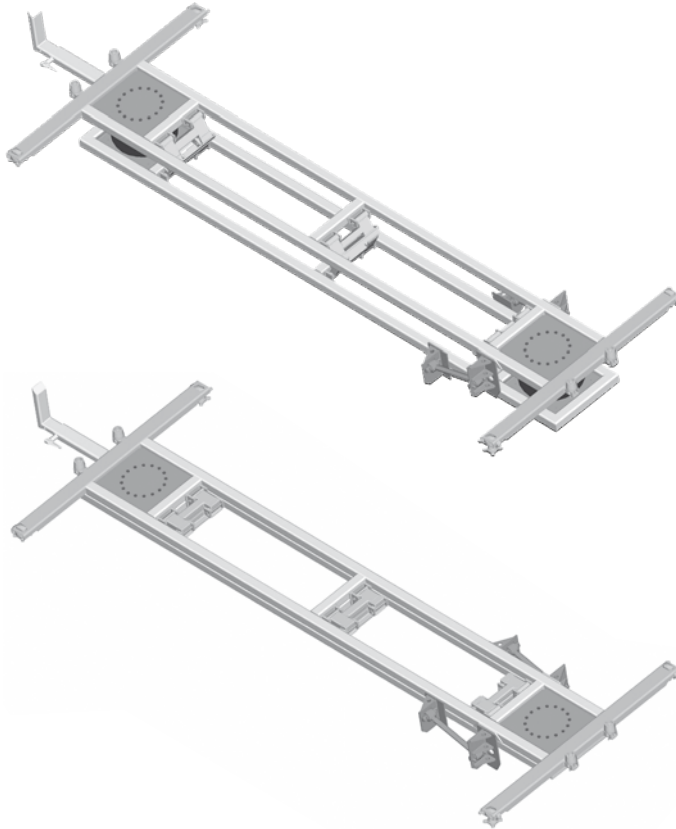
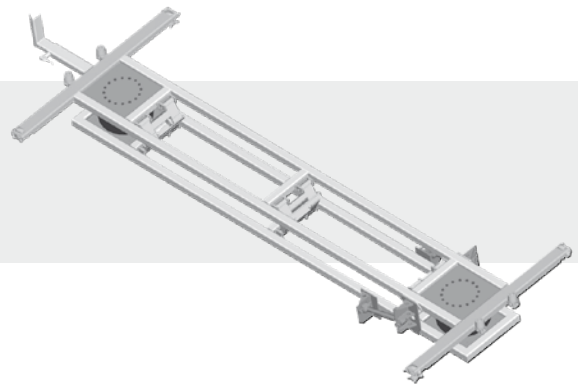
### Selection table / available versions

Ausführung	Weight (kg)	Order No.	Drawing No.
right	28.0	410.140.210	410.140.210
left	28.0	410.140.220	410.140.220



# Lifting frame for swap bodies

Pneumatic lifting device for the fast, safe lifting and lowering of swap bodies.



Construction kit for completion by vehicle construction Scope of delivery as in overview „Components for lifting frame 18300“ Control is optional

## Economical

- Low purchase and operating costs
- Exclusive application of time-tested conventional components
- Saves time for changing and manoeuvring containers
- Changes can be made with ease even in constricted spaces

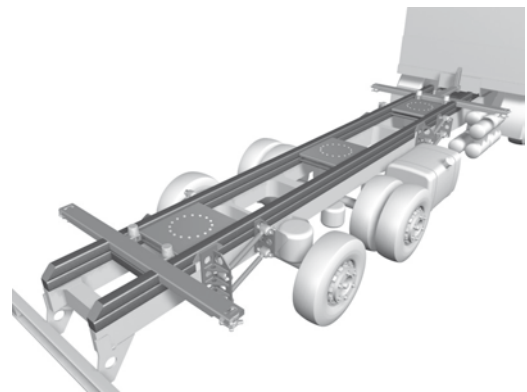
## Safe

- Easy to use taking into account the safety requirements
- Container remains horizontal at all times during the lifting process regardless of the load distribution with an electronically controlled actuating system
- The container remains securely connected to the vehicle during the lifting process by means of the lifting frame
- The container is fully supported on the lifting frame
- Always driven in the lowest position



## Environment friendly

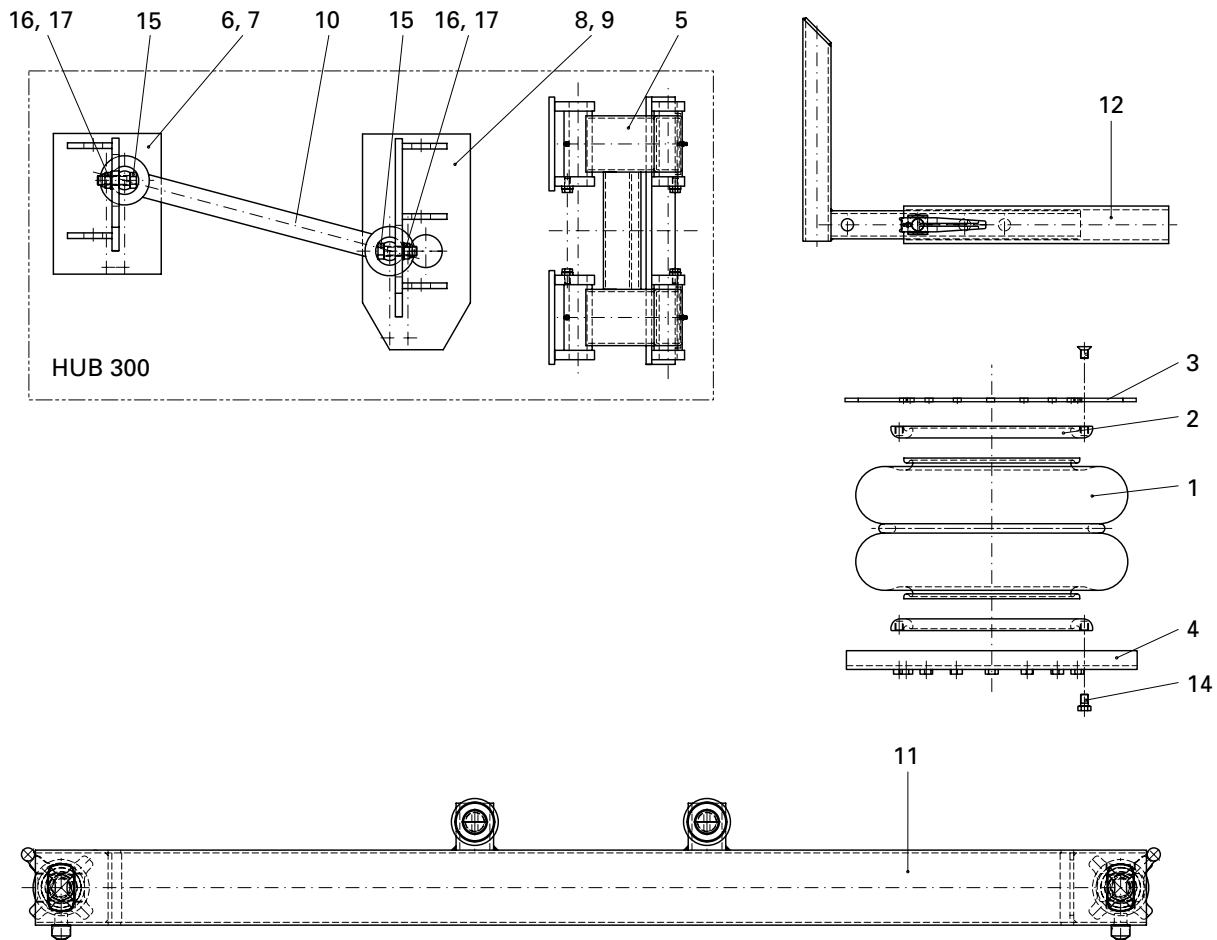
- Sturdy and durable
- No hydraulic components
- Lower fuel consumption due to lower height for transporting



## Universal

- 300 mm lifting height and a max. load capacity of 18 t at 7.5 bar ensure that almost all depositing and lifting heights can be handled
- Simple adjustment to the vehicle chassis by the variable arrangement of the basic components

# Components for lifting frame HR 18300



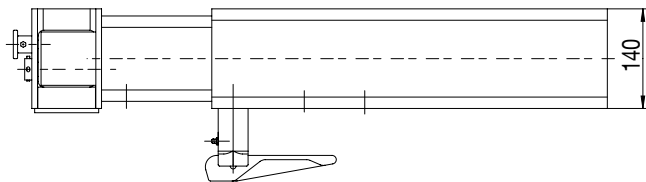
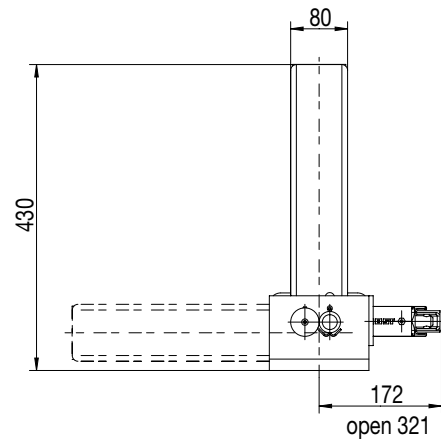
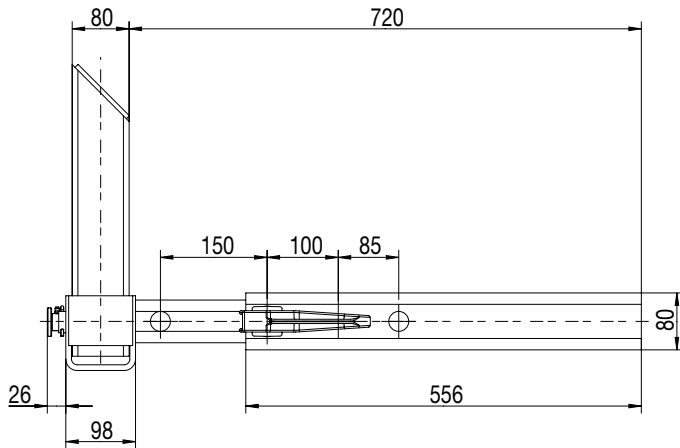
Irem	Designation	Order No.	Quantity
1	Pneumatic bellow	212.013.000	2
2	Bead ring	212.005.000	4
3	Lifting plate top	HR0000106	2
4	Lifting plate bottom	HR0000084	2
5	System element	HR0000189	3
6	Holder 1	HR0000059	1
7	Holder 2	HR0000060	1
8	Holder 3	HR0000113	1
9	Holder 4	HR0000114	1
10	Control arm	HR0000036	2
11	Bolster 160-80 RV	QT 160-80 RV	2
12	Stop 160 HR	ASW 160 HR	1
14	Hex bolt M16x25	000.001.002	64
15	Hex bolt M20x70	NT0005900	8
16	Hex nut M20	000.002.002	8
17	Washer A21	000.006.048	8

## Optional

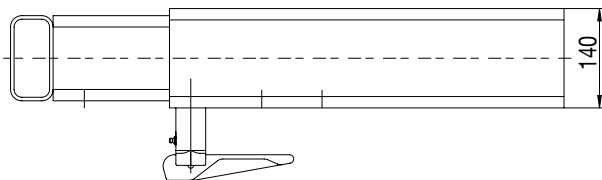
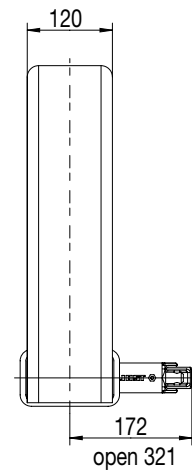
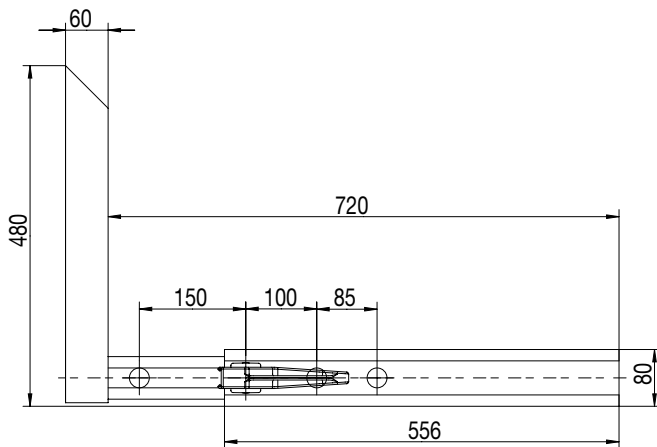
electronic system	HR STA1	1
-------------------	---------	---

# Stop

For positioning of the container in the direction of travel on the vehicle or trailer.



ASW 160



ASW 160 HR

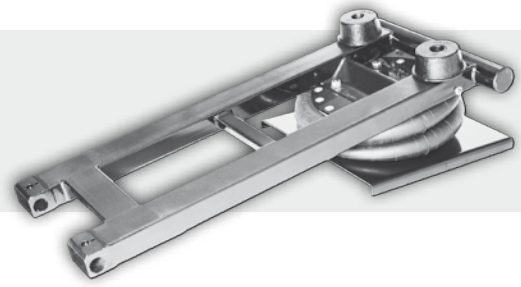
## Selection table / available versions

Model	Weight (kg)	Order No.	Drawing No.
folding	34.0	ASW 160	410.147.000
fixed	27.0	ASW 160 HR	410.152.000

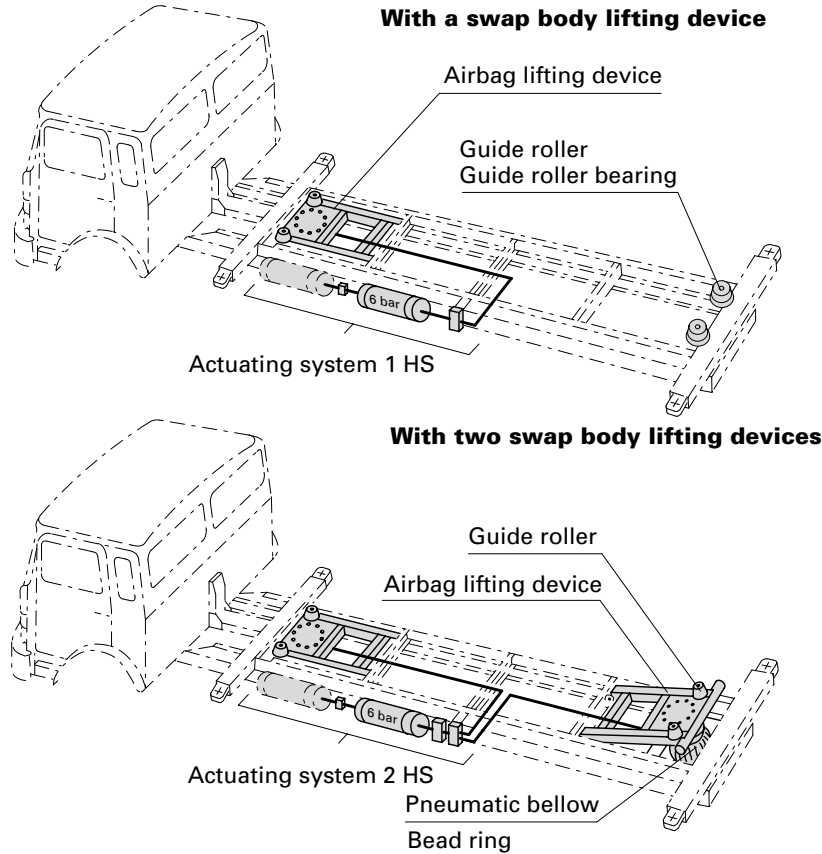
Stop is delivered primed



# Airbag lifting device



The vehicle body, with partial air suspension, consists of an airbag lifting device and a 1 HS actuating system; bodies with leaf springs have two airbag lifting devices and the 2 HS actuating system.



Principle of vehicle construction with airbag lifting device(s)

## Product range of airbag lifting devices

Lifting capacity* (kN)	Guide roller		Lifting (mm)	Overall length (mm)	Weight (kg)	Order No.	Drawing No.	Figure see page ...
	top	side						
50	•		280	1288	100.0	HS 5000 EO	650.002.000	108
80 **	•		300	1560	146.0	HS 8000 EO	650.007.000	108
100	•		400	1605	160.0	HS 10000 EO	650.021.000	108
80 **	•		300	1545	169.0	HS 8000 EON	650.313.000	110
80 **		•	300	1570	134.0	HS 8000 ES	650.011.000	112
100		•	400	1605	147.0	HS 10000 ES	650.017.000	112
50		•	280	1365	105.0	HS 5000 ESN	650.076.000	114
80 **		•	300	1560	160.0	HS 8000 ESN	650.014.000	114
80 **		•	300	1560	155.0	HS 8000 ESN 04	650.310.000	116
80		•	300	1755	124.0	HS 8300 ES-W1	650.121.000	118

\* at a pressure of 0.6 Mpa (6 bar), special versions to order

\*\* max. 100 kN at a pressure of 0.8 Mpa (8 bar)

Note:

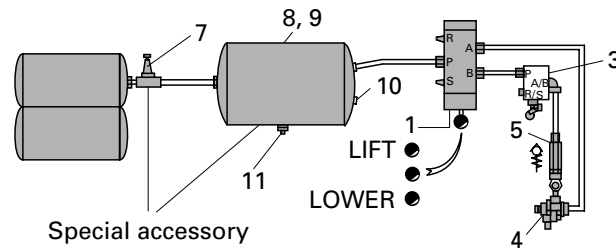
All airbag lifting devices are delivered primed. On demand, also available raw or hot dipped galvanized.



# Actuating system 1 HS and 2 HS

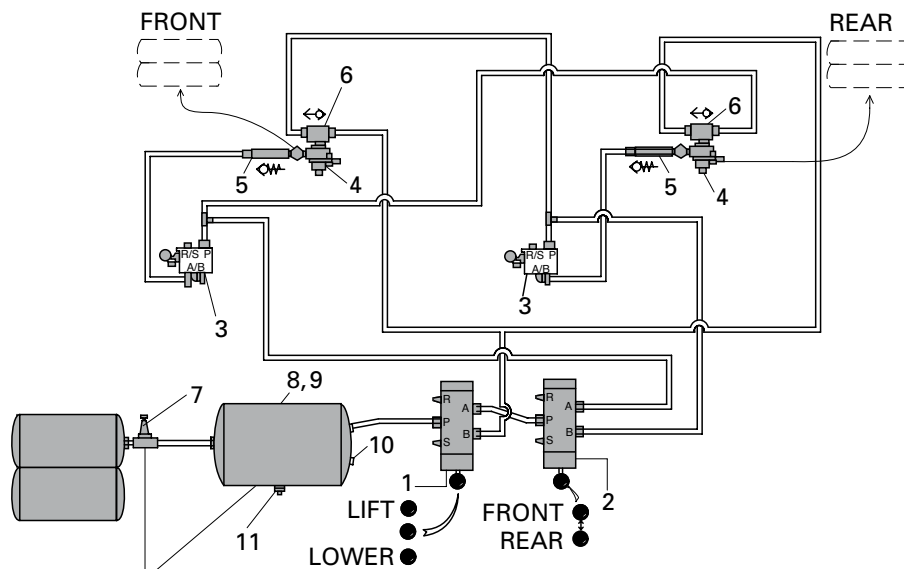
The 1 HS control system is designed to actuate one lifting device.

The 2 HS control system is designed to control two lifting devices.



Special accessory

Actuating system 1 HS



Special accessory

Actuating system 2 HS

**Safety controller with spring reset**, complies with the requirements of the professional association and the accident prevention regulations.

*No.:* With the 2 HS controller the bellows are ventilated alternately. Only one bellow can be ventilated at one time, the other vents automatically.

## Selection table

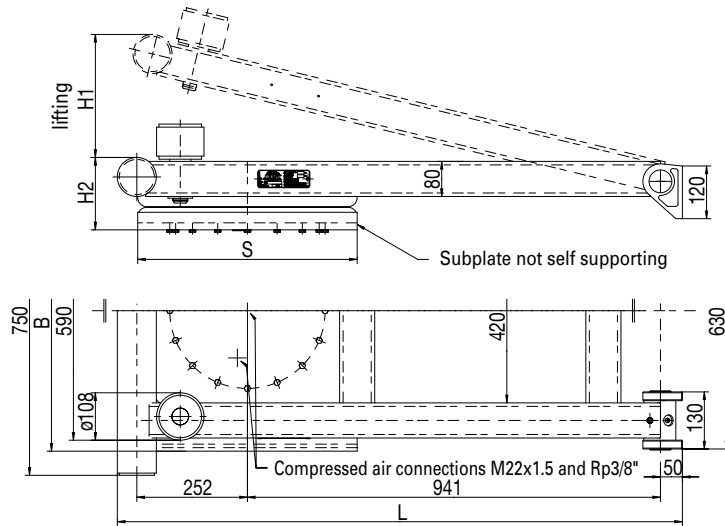
Drawing No.	Order No.
650.280.000	SSTN 1 HS
650.290.000	SSTN 2 HS

# Spare parts for actuating system 1 HS and 2 HS

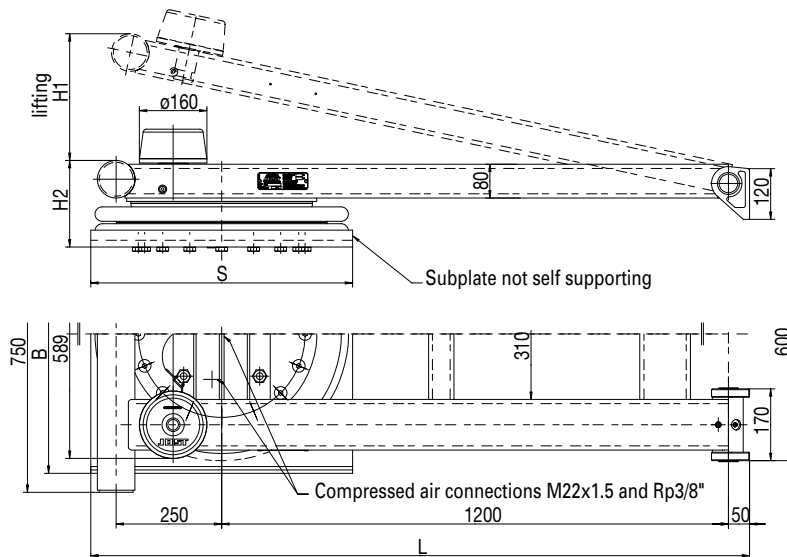
Item	Designation	Order No.	1 Airbag lifting device	2 Airbag lifting devices
1	5/3 Way valve - Spring reset	650.160.042	1	1
2	5/2 Way valve - Fixed position	650.160.043		1
3	3/2 Way valve - Roller	650.160.044	1	2
4	2/2 Way valve	650.160.045	1	2
5	No.return valve	650.160.007	1	2
6	Or valve	650.160.006		2
<b>Special accessory</b>				
	complete		650.200.000	
7	Relief valve	650.140.001	1	
8	Air tank 60 l	650.140.002	1	
9	Mounting strip	650.140.003	2	
10	Test connection	650.140.005	1	
11	Drain valve	650.140.004	1	

Subject to technical modification

# HS 5000 / 8000 / 10000 EO



HS 5000 EO



HS 8000 / 10000 EO

## Selection table / available versions

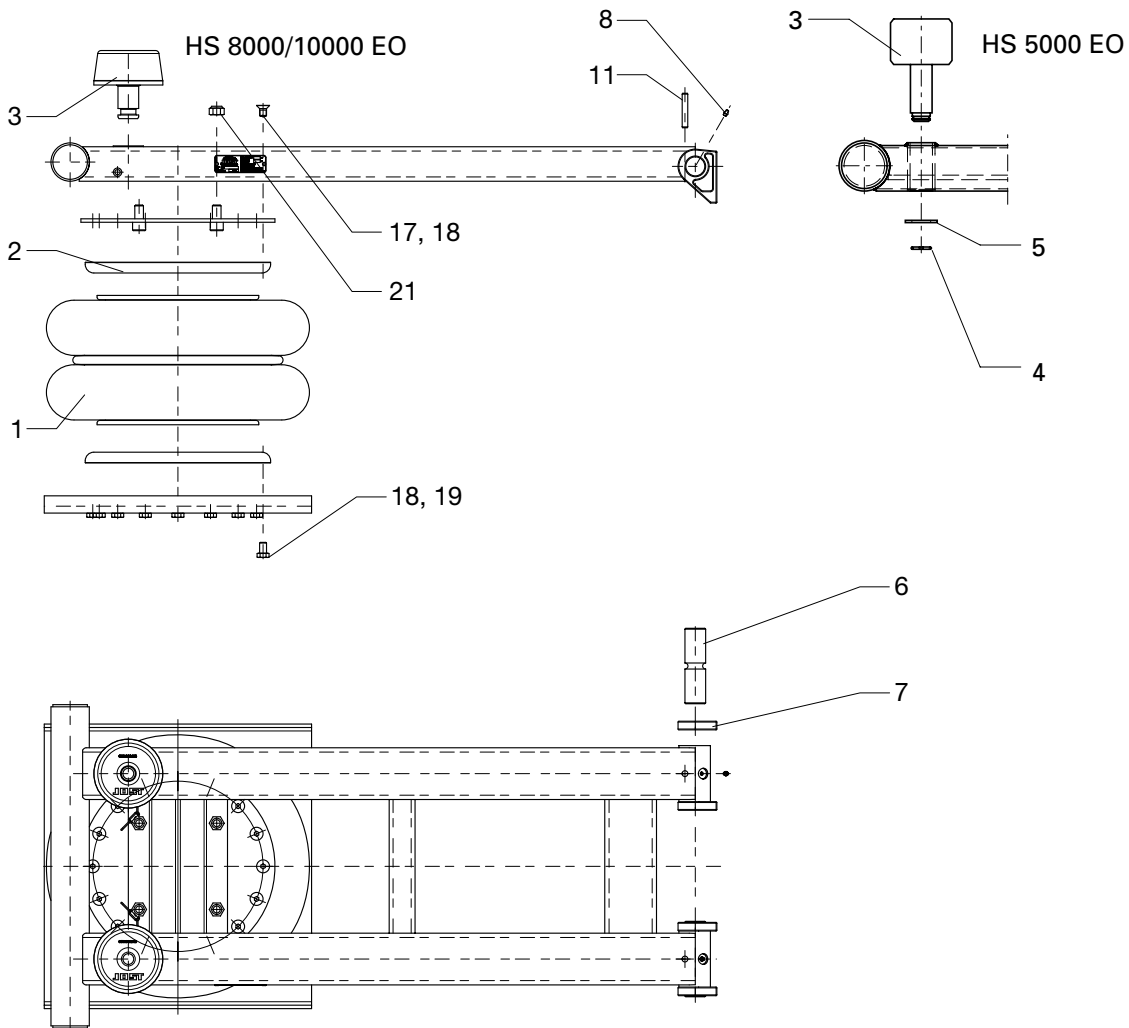
Lifting capacity (kN)	Hub (mm)	H1 (mm)	H2 (mm)	S (mm)	L (mm)	B (mm)	Weight (kg)	Order No.	Drawing No.
50	280	280	165	500	1288	640	100.0	HS 5000 EO	650.002.000
80 **	300	300	205	620	1560	660	146.0	HS 8000 EO	650.007.000
100	400	400	205	710	1605	740	160.0	HS 10000 EO	650.021.000

\*\* 100 kN at a pressure of 0.8 Mpa (8 bar)

Free space of at least 15 mm around moving parts!

# HS 5000 / 8000 / 10000 EO

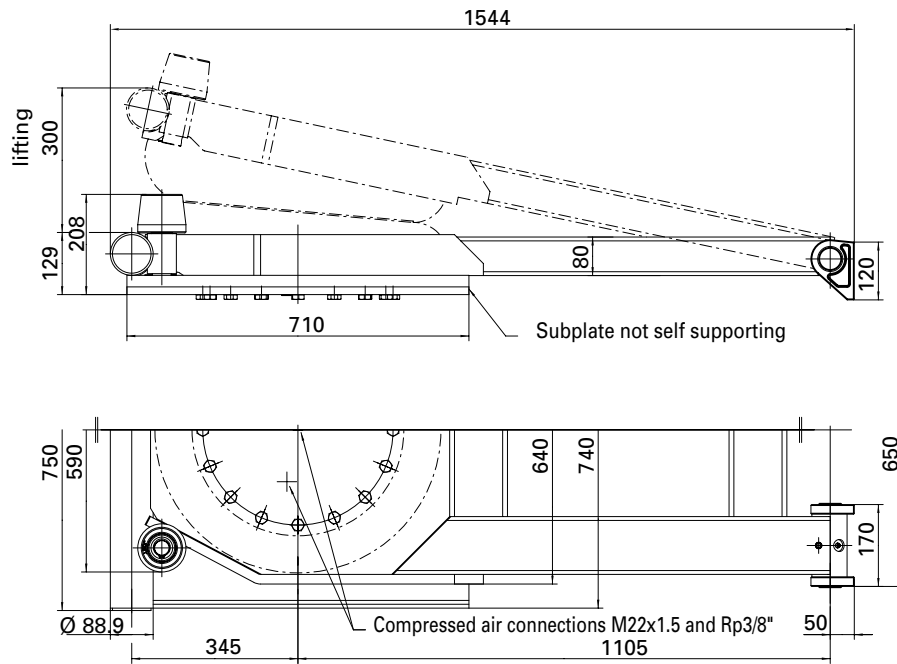
## Spare parts



Item	Description	Quantity	HS 5000 EO	HS 8000 EO	HS 10000 EO
1	Pneumatic bellow	1	212.030.000	212.014.000	212.034.000
2	Bead ring	2	212.017.000	212.005.000	212.005.000
3	Guide roller	2	655.002.010	655.002.016	655.002.016
4	Locking ring	2	915.000.190		
5	Washer	2	000.006.028		
6	Pivot pin	2	655.012.002	655.007.003	655.007.003
7	Chassis bearing	4	650.007.005	650.007.005	650.007.005
8	Grease nipple	2	905.000.185	905.000.185	905.000.185
11	Clamping pin 13x80	2	NT0031800	NT0031800	NT0031800
17	Countersunk bolt M16x25	16		000.001.001	000.001.001
18	Hex bolt M8x20	32	000.001.076		
19	Hex bolt M16x25	16		000.001.002	000.001.002
21	Hex nut M20	4		000.002.002	000.002.002

# HS 8000 EON

Low design with guide roller on top

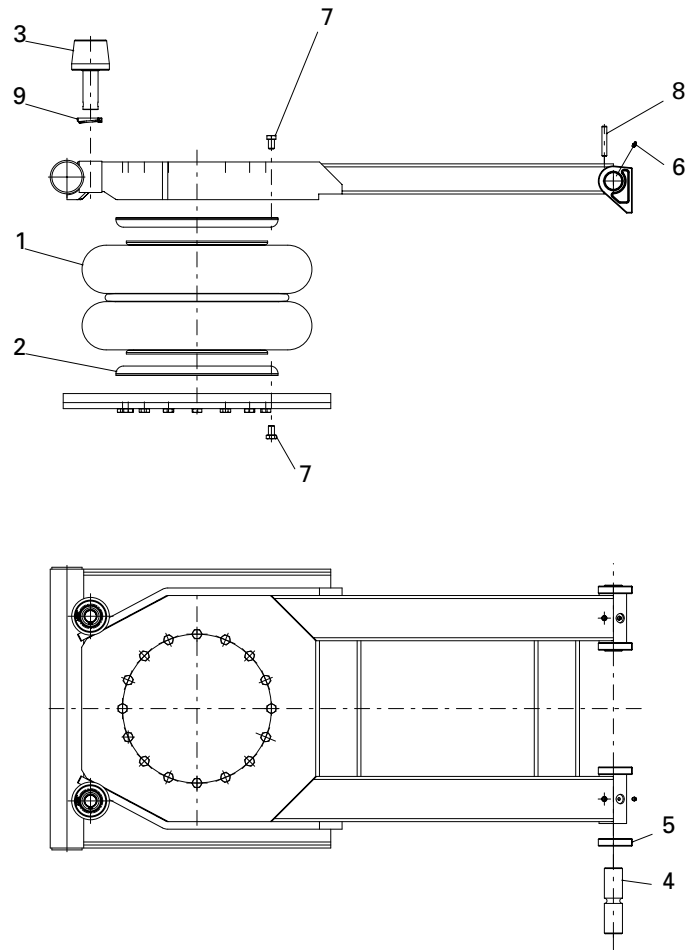


## Selection table / available versions

Weight (kg)	Order No.	Drawing No.
169.0	HS 8000 EON	650.313.000

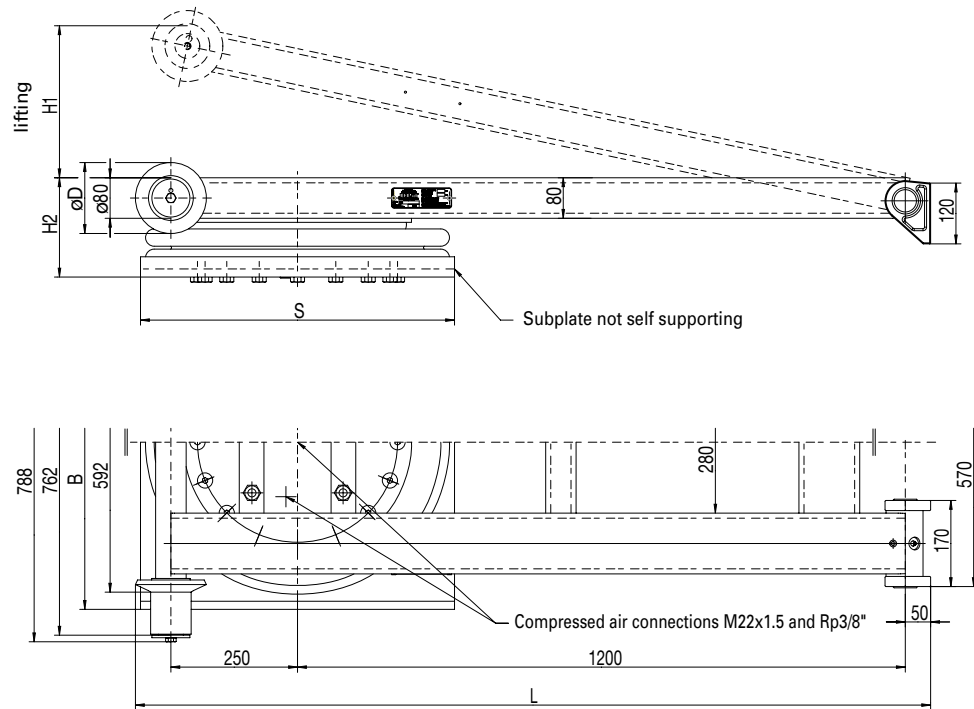
# HS 8000 EON

## Spare parts



Item	Description	Quantity	HS 8000 EON
1	Pneumatic bellow	1	212.013.000
2	Bead ring	2	212.005.000
3	Guide roller	2	650.002.073
4	Pivot pin	2	655.007.003
5	Chassis bearing	4	650.007.005
6	Grease nipple	2	905.000.185
7	Hex bolt M16x25	32	000.001.002
8	Clamping pin 13x80	2	NT0031800
9	Folding pin	2	000.008.008

# HS 8000 / 10000 ES



## Selection table / available versions

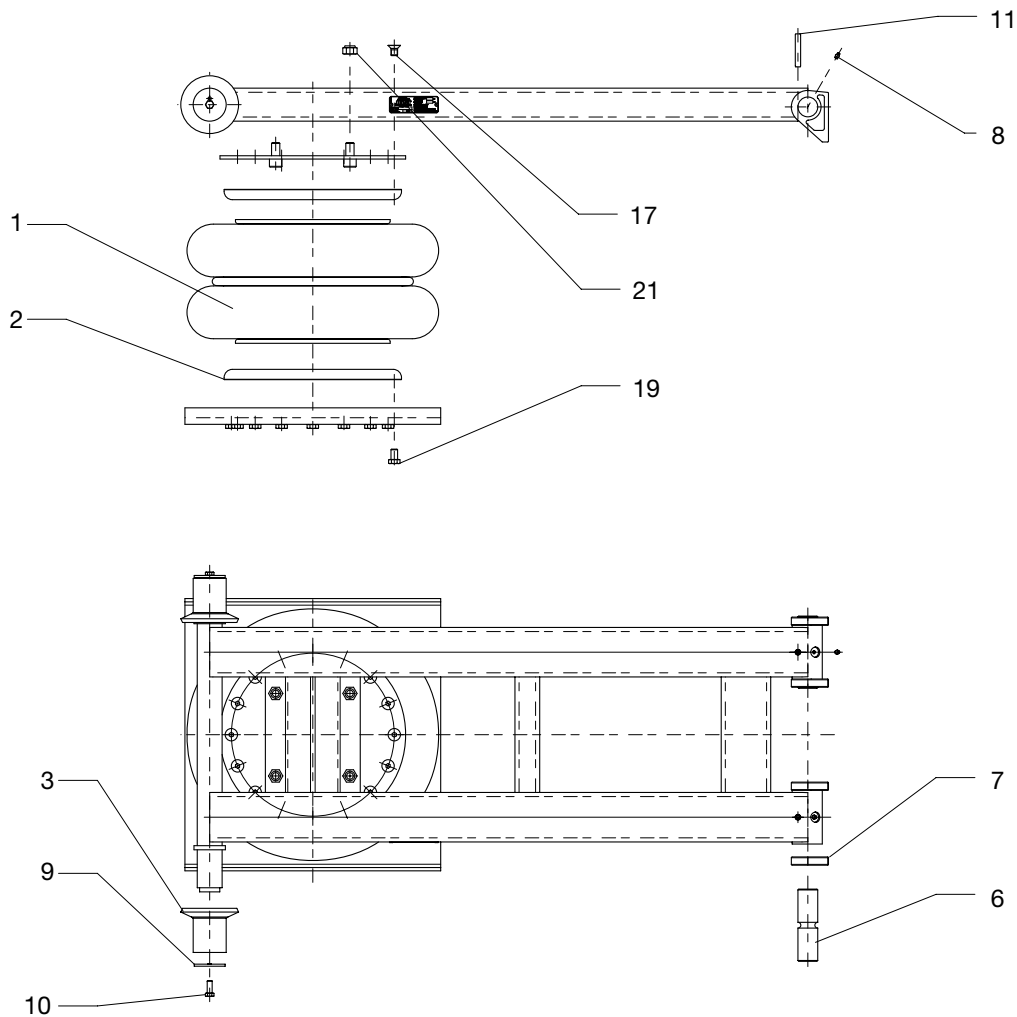
Lifting capacity (kN)	Hub (mm)	H1 (mm)	H2 (mm)	S (mm)	L (mm)	B (mm)	D (mm)	Weight (kg)	Order No.	Drawing No.
80 **	300	300	195	620	1570	660	∅ 140	134.0	HS 8000 ES	650.011.000
100	400	400	195	710	1570	740	∅ 140	147.0	HS 10000 ES	650.017.000

\*\* 100 kN at a pressure of 0.8 Mpa (8 bar)

Free space of at least 15 mm around moving parts!

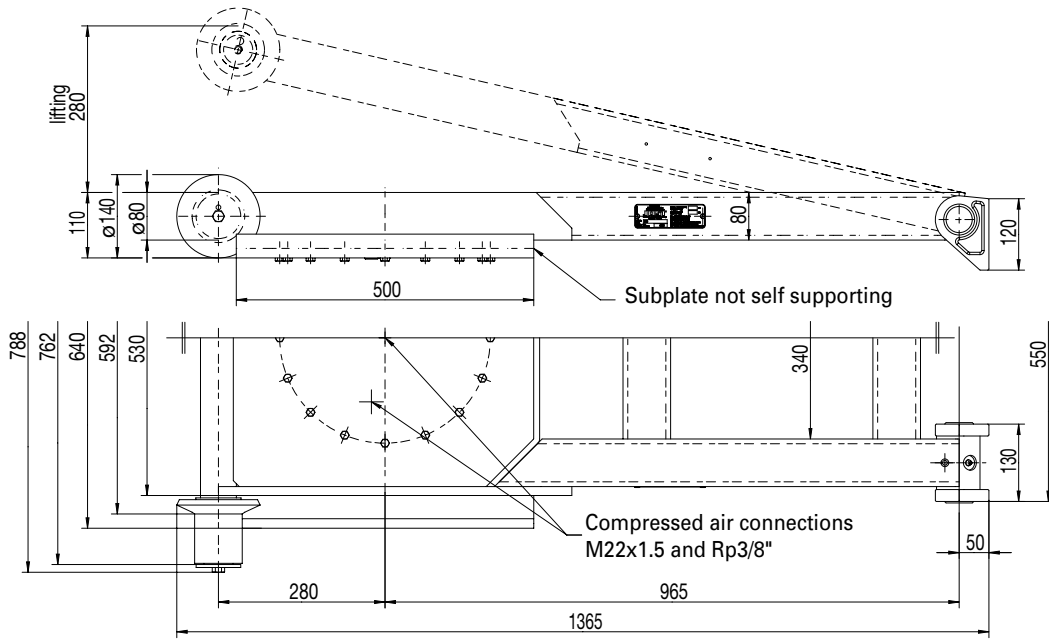
# HS 8000 / 10000 ES

## Spare parts

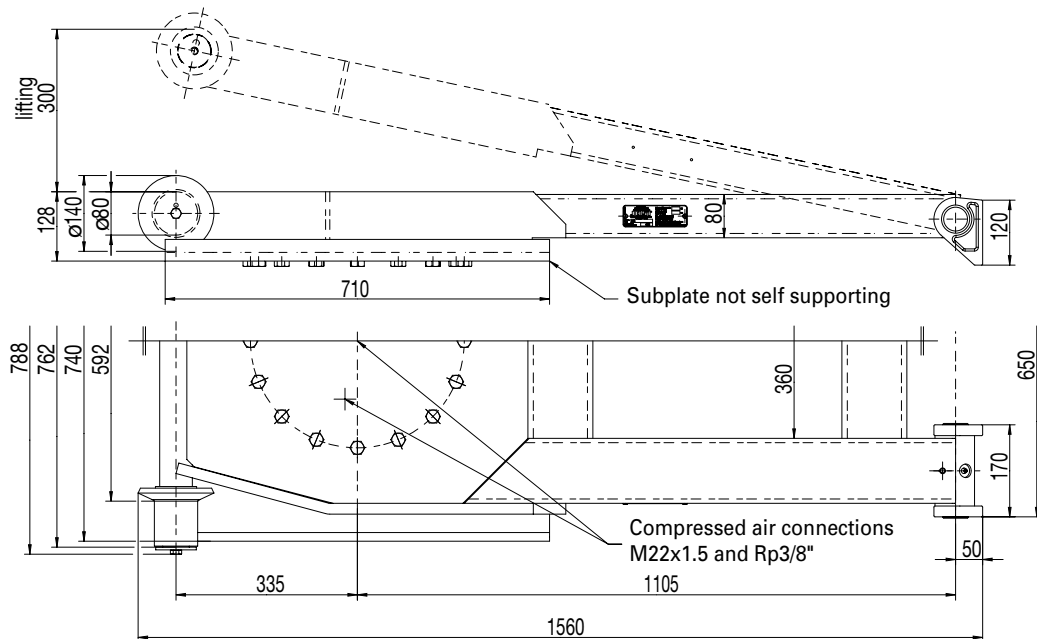


Item	Description	Quantity	HS 8000 ES	HS 10000 ES
1	Pneumatic bellow	1	212.014.000	212.034.000
2	Bead ring	2	212.005.000	212.005.000
3	Guide roller	2	655.002.012	655.002.012
6	Pivot pin	2	655.007.003	655.007.003
7	Chassis bearing	4	650.007.005	650.007.005
8	Grease nipple	2	905.000.185	905.000.185
9	Cover	2	655.033.032	655.033.032
10	Hex bolt M12x30	2	000.001.007	000.001.007
11	Clamping pin 13x80	2	NT0031800	NT0031800
17	Countersunk bolt M16x25	16	000.001.001	000.001.001
19	Hex bolt M16x25	16	000.001.002	000.001.002
21	Hex nut M20	4	000.002.002	000.002.002

# HS 5000 / 8000 ESN



HS 5000 ESN



HS 8000 ESN

## Selection table / available versions

Lifting capacity (kN)	Hub (mm)	Weight (kg)	Order No.	Drawing No.
50	280	105.0	HS 5000 ESN	650.076.000
80 **	300	160.0	HS 8000 ESN	650.014.000

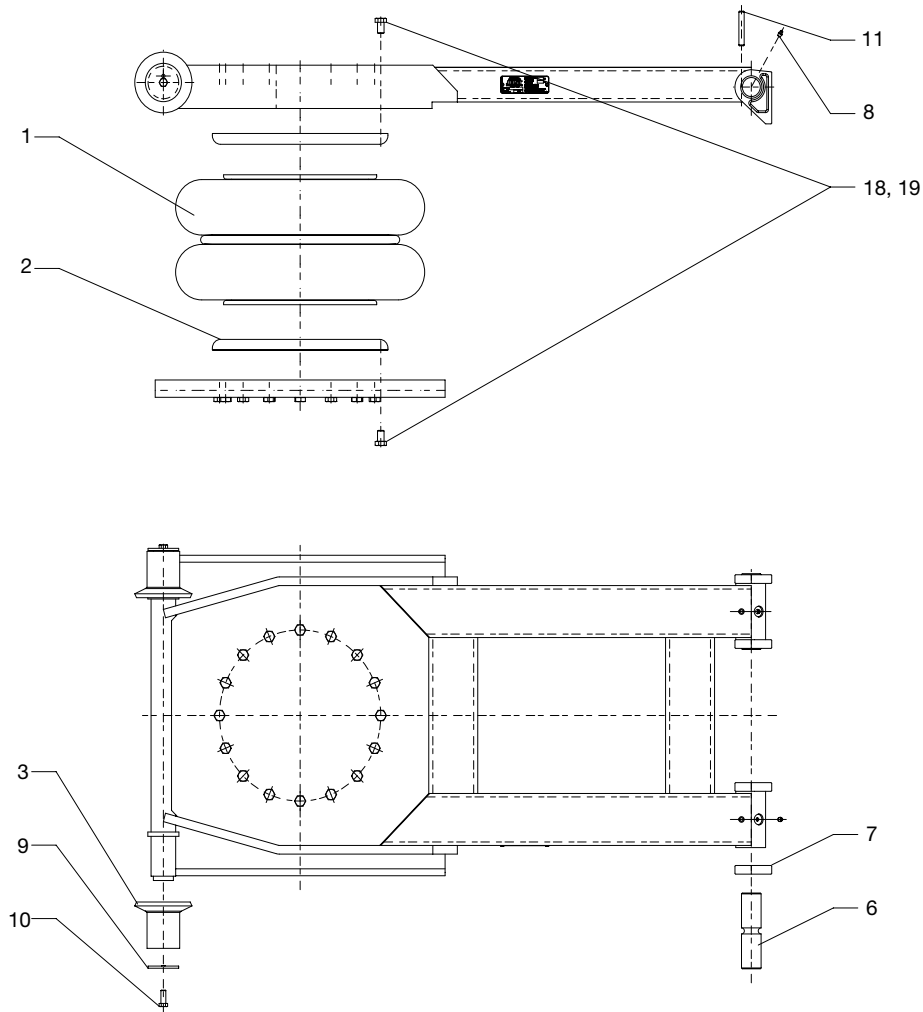
\*\* 100 kN at a pressure of 0.8 Mpa (8 bar)

Free space of at least 15 mm around moving parts!



# HS 5000 / 8000 ESN

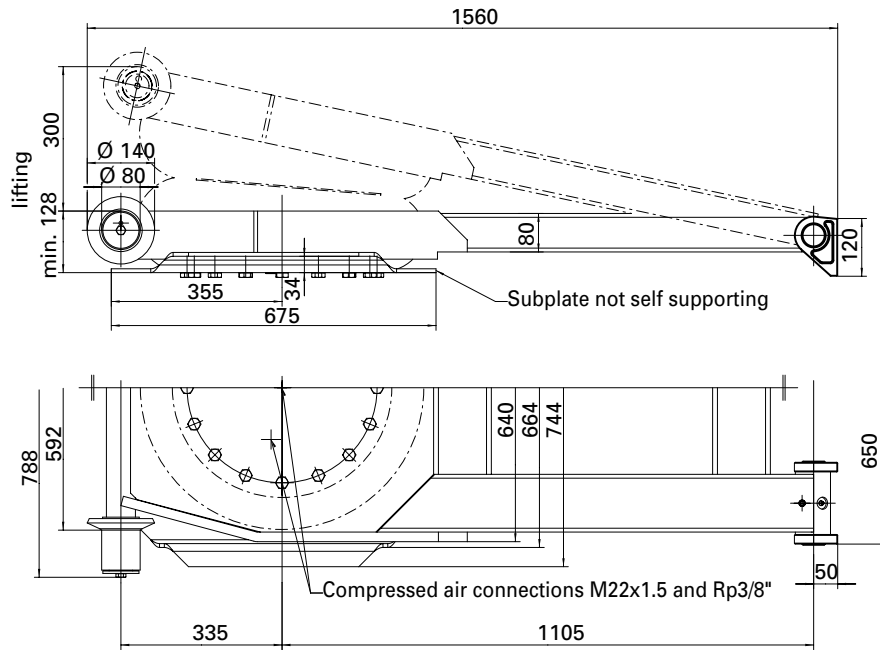
## Spare parts



Item	Description	Quantity	HS 5000 ESN	HS 8000 ESN
1	Pneumatic bellow	1	212.030.000	212.013.000
2	Bead ring	2	212.017.000	212.005.000
3	Guide roller	2	655.002.012	655.002.012
6	Pivot pin	2	650.012.002	655.007.003
7	Chassis bearing	4	650.007.005	650.007.005
8	Grease nipple	2	905.000.185	905.000.185
9	Cover	2	655.033.032	655.033.032
10	Hex bolt M12x30	2	000.001.007	000.001.007
11	Clamping pin 13x80	2	NT0031800	NT0031800
18	Hex bolt M8x20	32	000.001.076	
19	Hex bolt M16x25	32		000.001.002

# HS 8000 ESN 04

Model with cranked lower plate for installation in mounting angles with a construction height < 130 mm

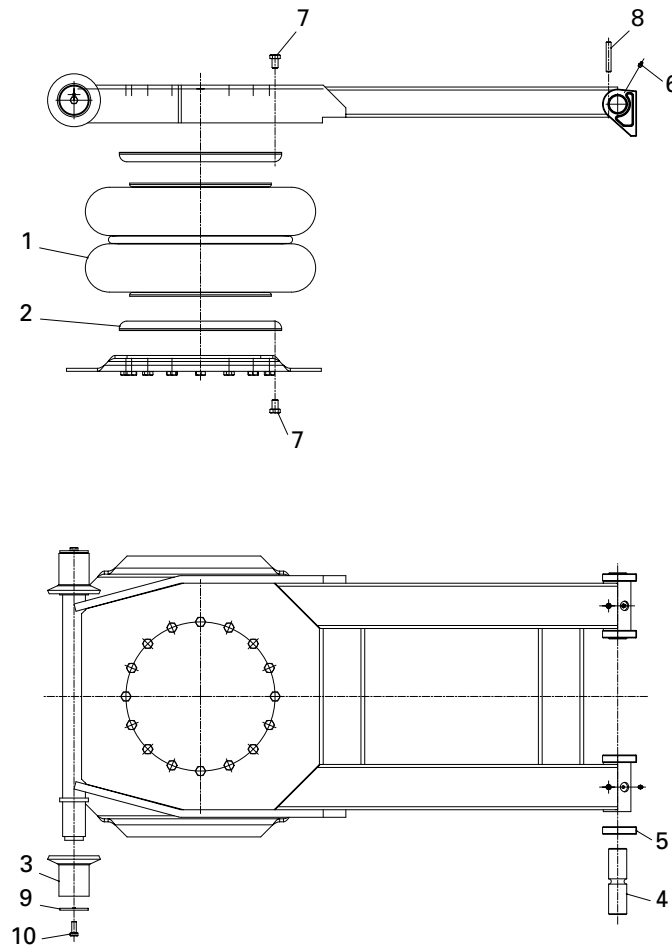


## Selection table / available versions

Weight (kg)	Order No.	Drawing No.
155.0	HS 8000 ESN04	650.310.000

# HS 8000 ESN 04

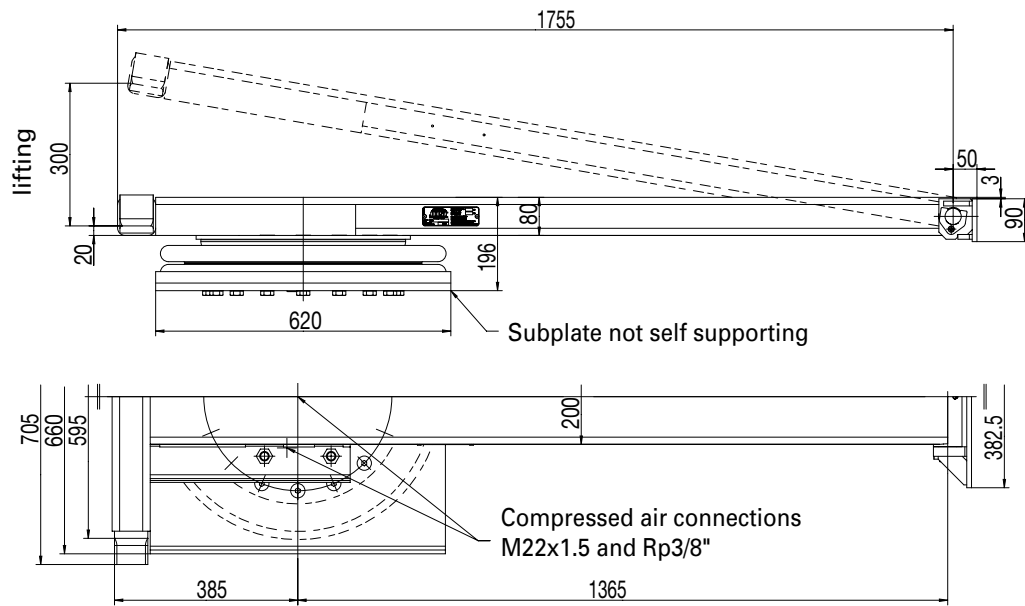
## Spare parts



Item	Description	Quantity	HS 8000 ESN 04
1	Pneumatic bellow	1	212.013.000
2	Bead ring	2	212.005.000
3	Guide roller	2	655.002.012
4	Pivot pin	2	655.007.003
5	Chassis bearing	4	650.007.005
6	Grease nipple	2	905.000.185
7	Hex bolt M16x25	32	000.001.002
8	Clamping pin 13x80	2	NT0031800
9	Cover	2	655.033.032
10	Hex bolt M12x30	2	000.001.007

# HS 8300 ES-W1

For installation in containers without mounting angles. Swap body lifting device can be positioned in the tunnel area of the container.

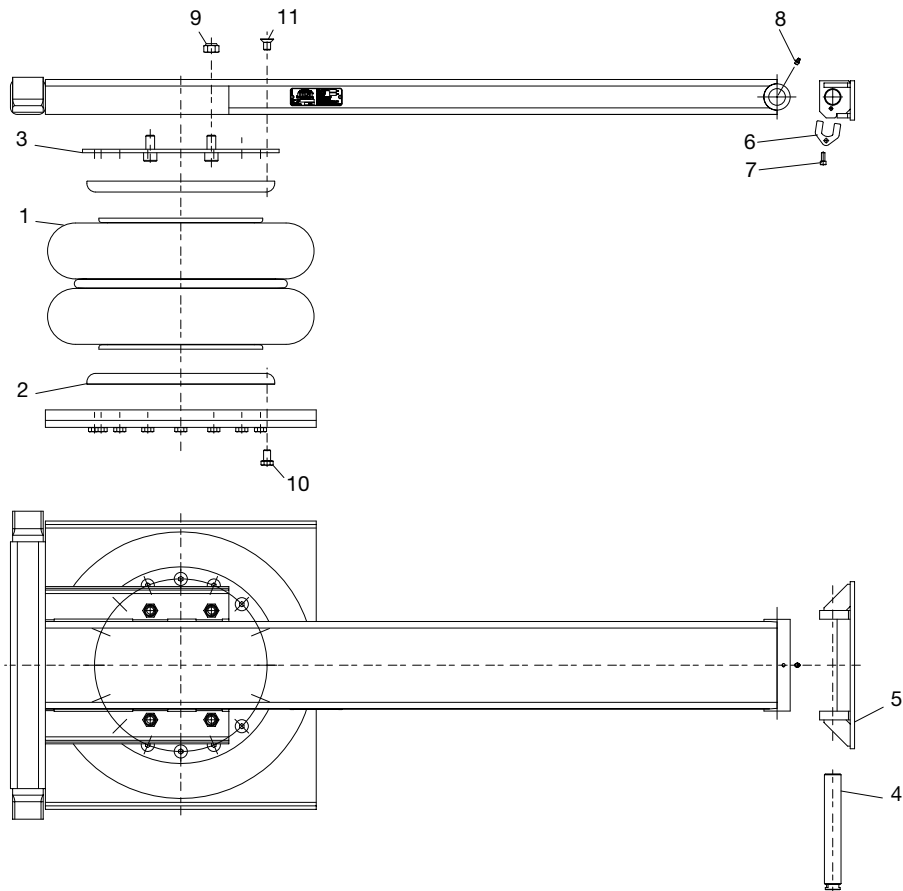


## Selection table / available versions

Weight (kg)	Order No.	Drawing No.
124.0	HS 8300 ES-W1	650.121.000

# HS 8300 ES-W1

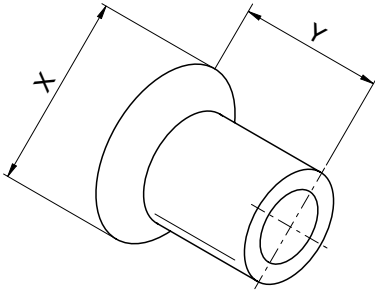
## Spare parts



Item	Description	Quantity	HS 8300 ES-W1
1	Pneumatic bellow	1	212.014.000
2	Bead ring	2	212.005.000
3	Lifting plate top	1	650.050.008
4	Pivot pin	1	655.050.019
5	Chassis bearing	1	650.050.010
6	Locking plate	1	HR0000192
7	Hex bolt M8x20	1	NT00233300
8	Grease nipple	1	905.000.185
9	Hex nut M20	4	000.002.002
10	Hex bolt M16x25	16	000.001.002
11	Countersunk bolt M16x25	16	000.001.001



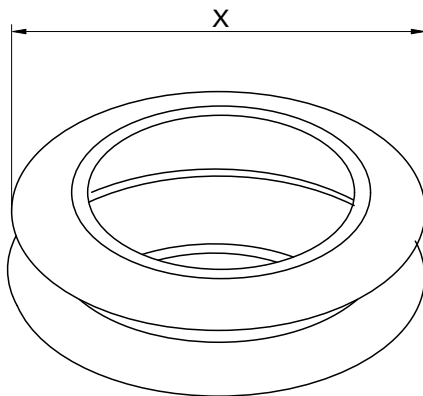
## Guide roller, side



### Selection table / available versions

X (mm)	Y (mm)	Order No.
140	108	655.002.012

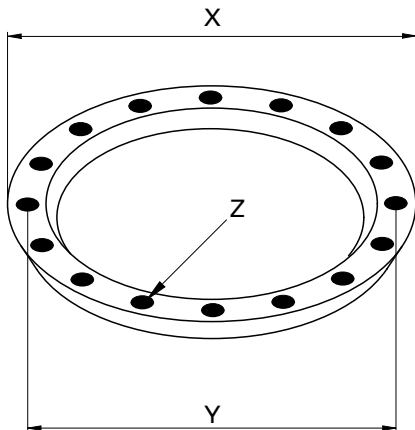
## Lifting bellow



### Selection table / available versions

X (mm)	Description	Order No.
418	Lifting bellow 50 kN	212.030.000
600	Lifting bellow 80 kN	212.013.000
670	Lifting bellow 100 kN	212.034.000
-	Lifting bag 80 kN mounted with bead rings	212.039.000

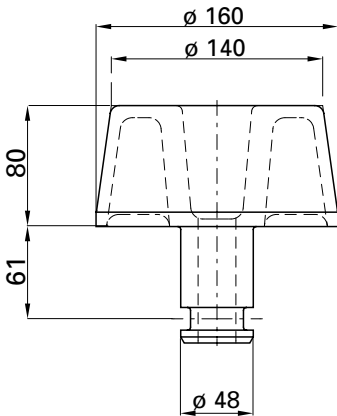
## Bead ring



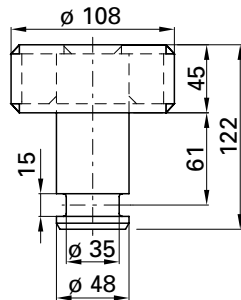
### Selection table / available versions

for lifting bellow	X (mm)	Y (mm)	Z	Order No.
212.030.000	380	354	M8	212.017.000
212.014.000				
212.034.000	430	395	M16	212.005.000

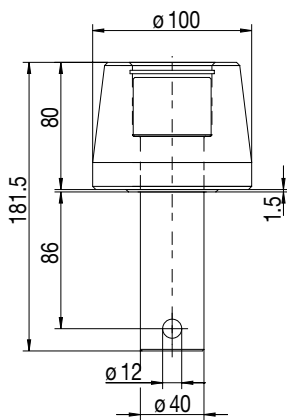
# Guide rollers



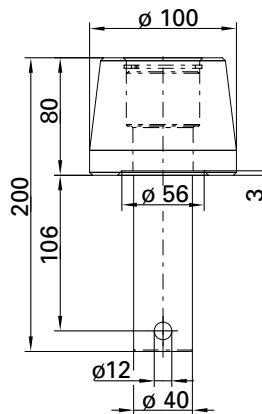
655.002.016



650.002.042



650.002.073



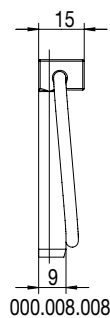
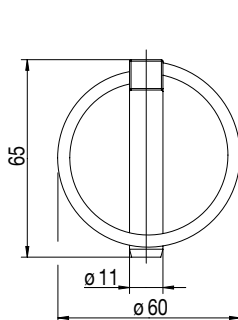
650.002.075

## Selection table / available versions

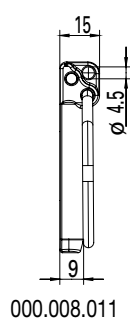
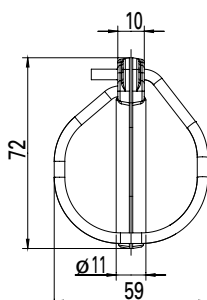
Weight (kg)	Description	Order No.
5.7	ER 160 GOR, Cast steel, without edge	655.002.016
2.9	ER-108 N, Steel, low guide tunnel	650.002.042
4.5	ER 100-80, Steel, small guide roller	650.002.073
5.3	ER 100-100 L, Steel, small guide roller	650.002.075

All guide rollers are delivered galvanized.

# Folding pin for guide rollers



000.008.008



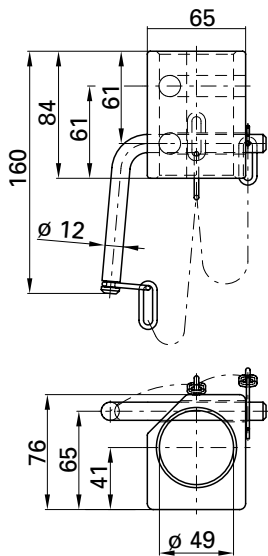
000.008.011

## Selection table / available versions

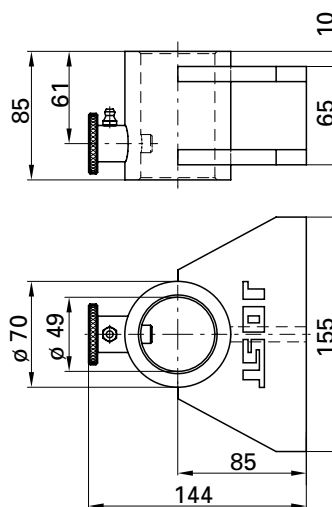
Weight (kg)	Description	Order No.
0.06	Folding pin for guide roller 650.002.073 and 650.002.075	000.008.008
0.07	Folding pin for guide roller with drilling for safety chain	000.008.011

# Guide roller bearings 650.002.019 + 650.002.039

The guide roller bearings 650.002.019 + 650.002.039 are used to mount guide rollers with a journal diameter of 48 mm.



650.002.019



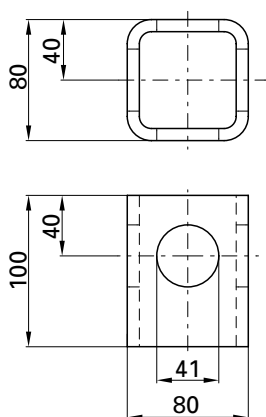
650.002.039

### Selection table / available versions

Weight (kg)	Description	Order No.
2.0	LER 161 G	650.002.019
1.9	LER 160	650.002.039

# Guide roller bearings 650.002.055

The guide roller bearing 650.002.055 is used to mount guide rollers with a journal diameter of 40 mm.



650.002.055

### Selection table / available versions

Weight (kg)	Description	Order No.
1.5	LER 100	650.002.055

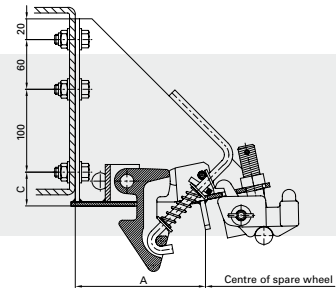
All guide rollers are delivered raw.





# Spare wheel holder

JOST spare wheel holders are used to mount spare truck wheels with press-in depth.



## Product overview spare wheel holder

Number of bolt holes piece	Bolt circle diameter (mm)	Centering diameter (mm)	Maximum rim width (mm)	Weight (kg)	Order No.	Drawing No.	Figure see page ...
6	205	161	12	8.5	ERH 6-205	902.011.000	123
6	245	202	12	8.6	ERH 6-245	902.013.000	123
8	275	221	16	14.3	ERH 8-275	902.014.000	123
10	335	281	16	16.4	ERH 10-335	902.012.000	123

Surface: housing raw, mounting parts galvanised

### Notes:

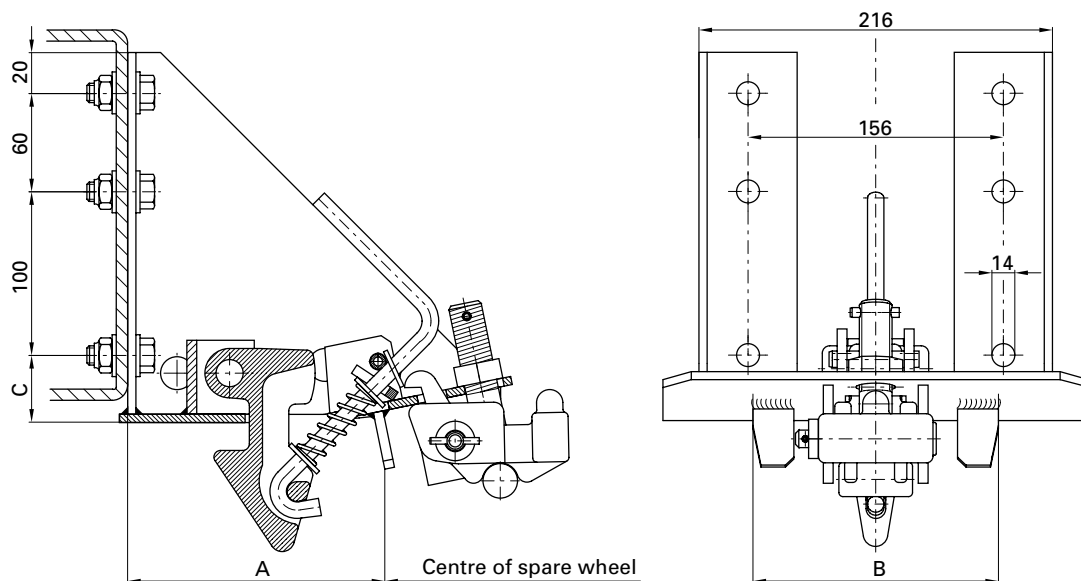
Refer to the installation instructions and the operating instructions.

The fixing elements are not supplied.

See maximum vehicle width!

The spare wheel holders are not suitable for aluminium wheel rims.

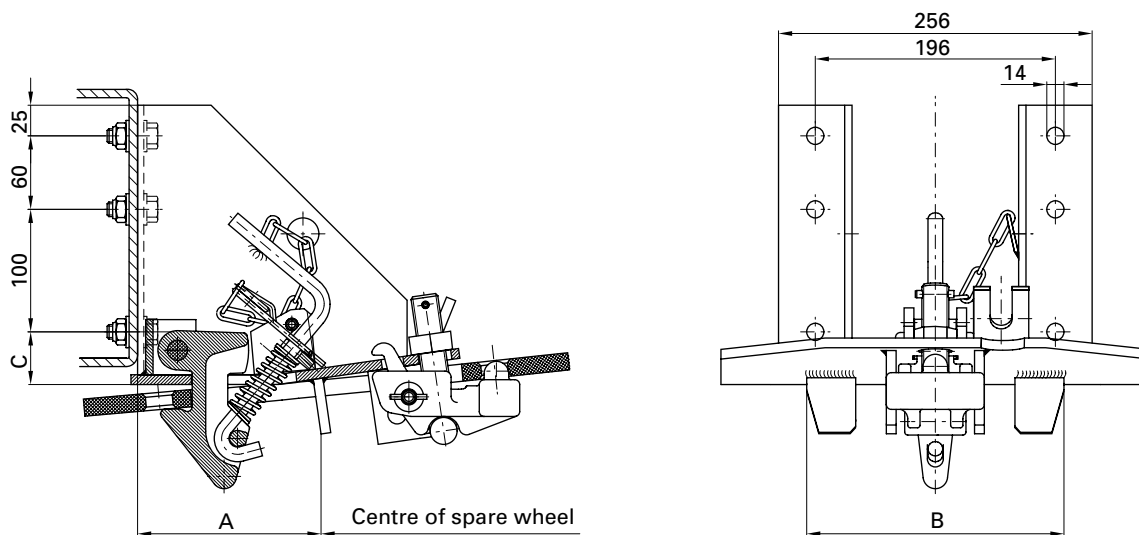
# ERH 6-205, ERH 6-245



## Selection table / available versions

A (mm)	B (mm)	C (mm)	Bolt circle (mm)	Rim width max. (mm)	Weight (kg)	Order No.	Drawing No.
ca. 158	150	45	205	12	8.5	ERH 6-205	902.011.000
ca. 138	190	45	245	12	8.6	ERH 6-245	902.013.000

# ERH 8-275, ERH 10-335

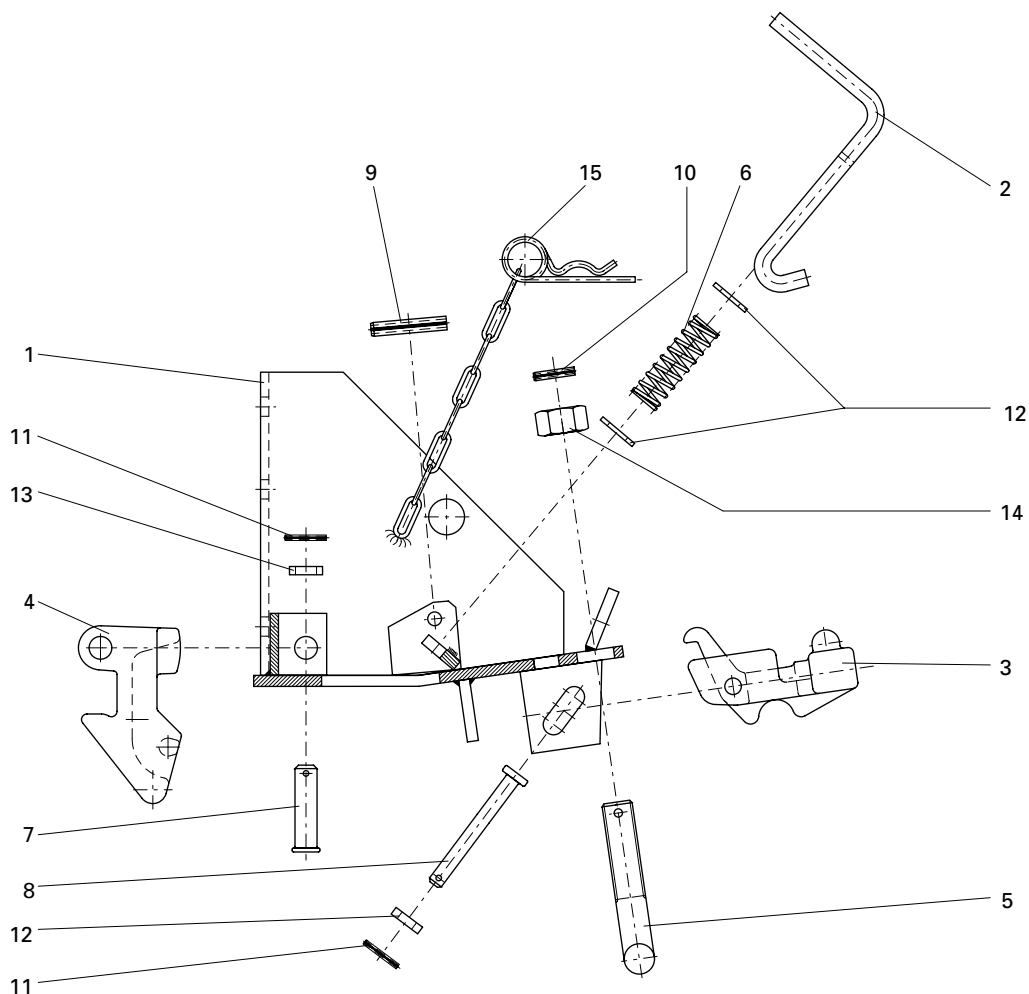


## Selection table / available versions

A (mm)	B (mm)	C (mm)	Bolt circle (mm)	Rim width max. (mm)	Weight (kg)	Order No.	Drawing No.
ca. 150	210	43	275	16	14.3	ERH 8-275	902.014.000
ca. 188	270	43	335	16	16.4	ERH 10-335	902.012.000

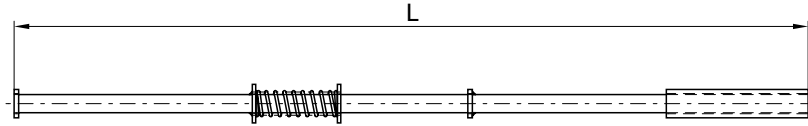
# Spare wheel holder

## Spare parts



Pos.	Description	ERH 6-205	ERH 6-245	ERH 8-275	ERH 10-335
1	Housing	902.011.100	902.013.100	902.014.100	902.012.100
2	Crow bar	902.011.200	902.013.200	902.012.200	902.012.200
3	Clamp	902.011.003	902.011.003	902.012.003	902.012.003
4	Hook	902.011.004	902.011.004	902.012.004	902.012.004
5	Hammer bolt M20x1,5 Hammer bolt M22	902.011.005	902.011.005	902.012.005	902.012.005
6	Compression spring	902.011.008	902.011.008	640.001.033	640.001.033
7	Rivet bolt 16x60	902.011.012	902.011.012	902.011.012	902.011.012
8	Rivet bolt 10,7x81 Rivet bolt 10,7x96	902.011.013	902.011.013	902.012.013	902.012.013
9	Clamping pin 10x55	000.003.023	000.003.023	000.003.023	000.003.023
10	Clamping pin 6x30	000.003.024	000.003.024	000.003.024	000.003.024
11	Clamping pin 4x30	000.003.017	000.003.017	000.003.017	000.003.017
12	Washer A12	NT0059400	NT0059400	NT0059400	NT0059400
13	Washer A17	000.006.009	000.006.009	000.006.009	000.006.009
14	Hex nut M20x1,5 Hex nut M22 vz	000.002.015	000.002.015	000.002.018 000.002.018	000.002.018 000.002.018
15	Safety pin			000.008.001	000.008.001

# Installation lever



*Not supplied*

## Selection table / available versions

L (mm)	for spare wheel holder	Order No.
900	ERH 8-275, ERH 10-335	902.000.002



## General information

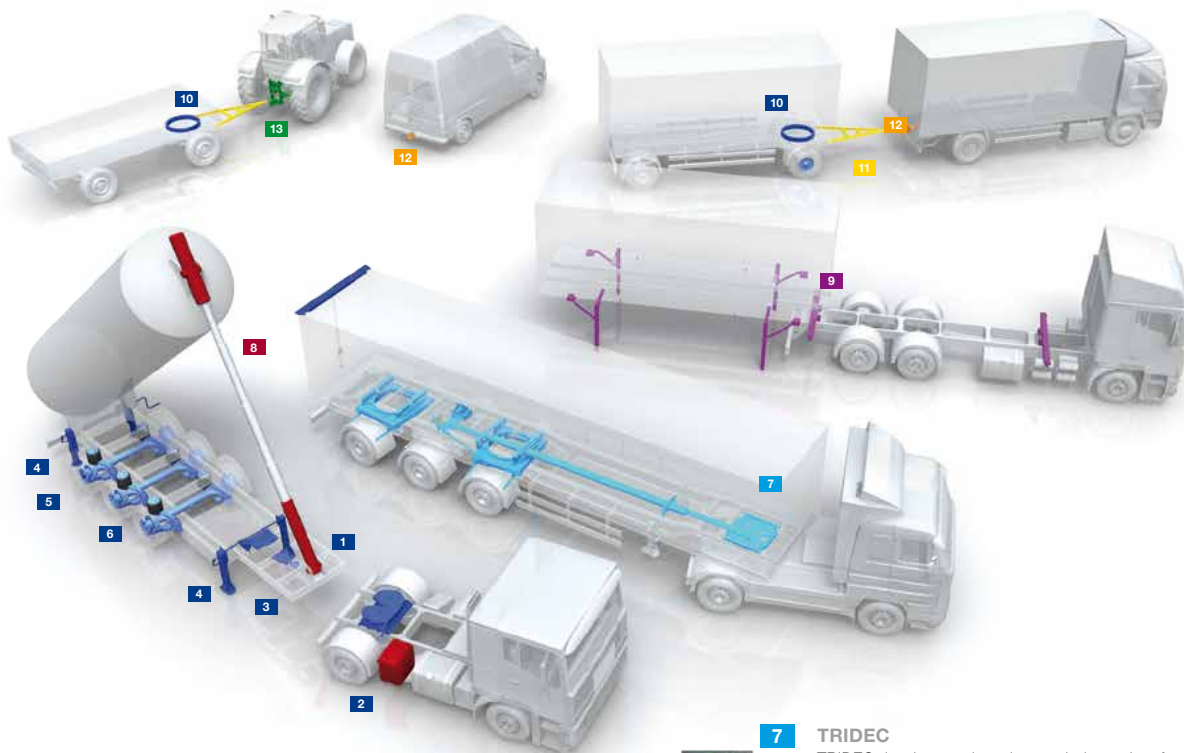
This catalogue contains our complete range of products and the appropriate spare parts for **Container equipment and intermodal transports**. The dimensions given are those most frequently encountered. The models with their numerous variations are depicted by way of the type designations.

We reserve the right to make **changes to the technical specifications** of all the products depicted in this catalogue. Please refer to the appropriate documentation for installation, assembly and repair instructions. You can find further technical details and information (e.g. mounting and operating instructions) as well as terms of guarantee at [www.jost-world.com](http://www.jost-world.com).

### **General information**

Available product series and designs are specified in the respective selection tables by means of an order reference number.

If you do not intend to unpack and fit the products immediately on delivery, please store them in a dry place. According to their weight the products are transported, in carton, in crates or on Euro pallets. We recommend the use of a lifting truck, forklift or crane for handling pallets or crates.



**1 Systems**  
Sensor-controlled systems monitor and automate manual processes, thus providing for more safety and efficiency in your fleet.



**2 Fifth wheel couplings**  
We offer a wide selection of fifth wheel couplings, 2" and 3 1/2" in a wide variety of mounting heights, bearing types and models. The program is completed by mounting plates, sliders and dual height fifth wheel systems.



**3 King pins**  
King pins are available in 2" and 3 1/2" for all systems in various models.



**4 Modul landing gear**  
Any customer specs can be fulfilled thanks to the landing gear's modular construction with variable mounting and bolting heights, its differing crank and connection shaft lengths and its four different foot types. Furthermore, JOST offers a multitude of special landing gears for special applications.



**5 Hubodometer**  
The range of products includes various hubodometers for calculating the distance driven, independent of the vehicle, for all types of wheeled vehicles.



**6 JOST Achsen System**  
JOST Achsen Systeme – Home of Mercedes-Benz TrailerAxleSystems – offers weight-saving trailer axles for a wide range of uses. Innovative products from the axle series DCA revolutionised the trailer market in a long-lasting way.



**7 TRIDEC**  
TRIDEC develops and produces – independent from axle or trailer manufacturer – mechanically, hydraulically and electronically controlled steering systems for trailers as well as axle suspension systems.



**8 On-vehicle hydraulic systems**  
Edbro is a market leader in on-vehicle hydraulic systems including front end, underbody and ejector cylinders, waste handling equipment and customised hydraulic kit solutions.



**9 Container equipment**  
Parts for alternating systems, supports, locks and bolsters, swap body lifting devices, guide rollers and bearings – all components required in a flexible fleet.



**10 Ball bearing turntables**  
The ball bearing turn tables and slewing rings were the first products that JOST produced. The wide range of top-quality ball bearing turntables is based on this experience.



**11 Drawbars and drawbar eyes**  
Drawbars and towing eyes are available in various models and can be designed to suit the customer's specific needs.



**12 Towing hitches**  
There is a multi-faceted range of products for road traffic available – towing hitches, hook coupling, towing eyes, accessories, the multi-functional alternating system VARIOBLOC and special models.



**13 Agricultural hitches**  
An extraordinarily extensive range of products for agriculture and forestry: Towing hitches, trailer trestles, clutch carriers, towing eyes, drawbars and accessories.