

BPW Repair Kits



BPW-Repsatz 31111601e

we think transport



Valid: **1.3.2016**

This list shows repair kits for BPW trailer axles, steering axles, air suspensions and drawbars. Additional spare parts as per BPW spare parts catalogues.

Repair kits are only available as complete kit!

Current versions and additional informations can be found online at www.bpw.de.

Subject to change (without notice).

 -parts are embossed with BPW Code no.

Contents

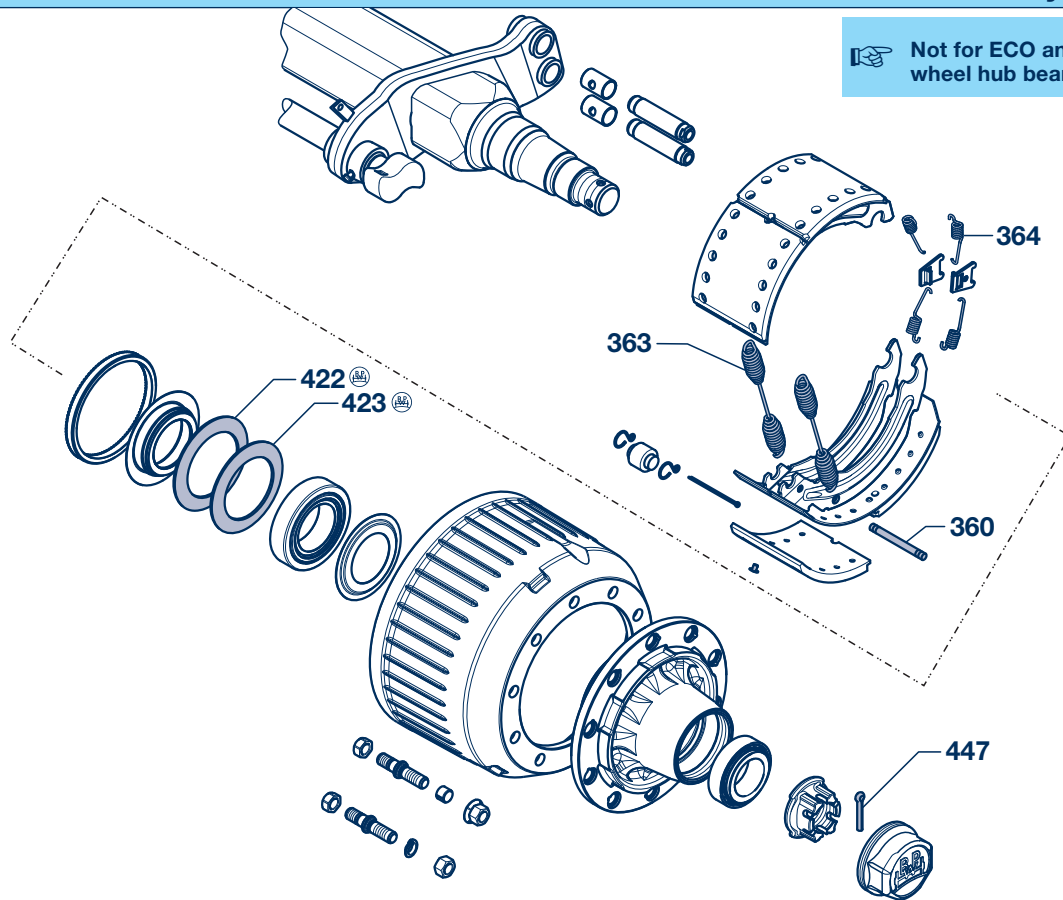
		Page		
		Axle Series		
⊙		H.. / R..	KH.. / KR..	NH.. / NR..
⊙	1 Repair kits for BPW axles with drum brake	4 - 8		
1.1	Brake SN 42..			
1.2	Brake SN 36..		10 - 13	
1.3	Brake SN 30..			14 - 16
1.4	Brake shoe roller	19	19	18 / 19
1.5	Support bearing	20	20	20
1.6	Brake camshaft bearing - rigid axles	22 - 23	22 - 23	22 - 23
1.7	Brake camshaft bearing - steering axles series LL	24 / 25	24 / 25	24 / 25
1.8	Slack adjuster kits (AGS)	26 / 27	26 / 27	26 / 27
⊙	2 Repair kits for BPW axles with ECO disc (TSB)	SH..	SK..	
2.1	BPW ECO Disc Trailer disc brakes complete (BPW TSB)	28	28	
2.2	Guide pins (BPW TSB)	29	29	
2.3	Sealing cap (BPW TSB)	30	30	
2.4	Seal for guide pins (BPW TSB)	31	31	
2.5	Tappets (BPW TSB)	32	32	
2.6	Brake lining kits (BPW TSB)	33	33	
2.7	Retaining clip (BPW TSB)	34	34	
2.8	Brake disc covers (BPW TSB)	35	35	
⊙	3 Repair kits for BPW axles with KNORR disc brake	SH..	SK..	
3.1	Brake disc covers (KNORR)	36 / 37	36 / 37	
3.2	Brake lining kits (KNORR)	38	38	
⊙	4 Repair kits hub bearings	H.. / SH..	K.. / SK..	N.. / SN..
4.1	Roller bearings - conventional bearing	40 - 43	40 - 43	40 - 43
4.2	Roller bearings - ECO / ECO MAXX Unit	44 / 45	44 / 45	44 / 45
4.3	Roller bearings - ECO ^{Plus}	46 / 47	46 / 47	46 / 47
4.4	Roller bearings - ECO Plus 2 Unit	48 / 49	48 / 49	48 / 59
4.5	Roller bearings - ECO Plus 3 Unit	50 / 51	50 / 51	50 / 51
⊙	5 Repair kits complete hubs	H.. / SH..	K.. / SK..	N..
5.1	Complete hubs for BPW axles with drum brake	52	52	52
5.2	Complete hubs for BPW axles with disc brake	53	53	
⊙	6 5 Repair kits for steering axles H / SH K / SK N	H.. / SH..	K.. / SK..	N..
6.1	Steering bolt bearing, series LL	54	54	54
6.2	Steering bolt bearing, series L	55	55	55
⊙	7 6 Repair kits for air suspensions O SL AL	O (AC)	SL	AL
7.1	Spring pivot bolt bearings, leaf spring width 70 mm	56 / 57	56 / 57	56 / 57
7.2	Spring pivot bolt bearings, leaf spring width 100 mm	58 / 59	58 / 59	58 / 59
7.3	Shock absorber bushes	60	60	60
⊙	8 Repair kits for ECO Air COMPACT running gear systems	AC		
8.1	Axle clamping	62 / 63		
8.2	Spring pivot bolt bearing / Bush for Führungslenker	62 / 63		
8.3	Shock absorber attachment	62 / 63		
8.4	Shaped part for two-side axle lift	62 / 63		
⊙	9 Repair kits for drawbars	PZ		
9.1	Clamping bolts for drawbars	64		
⊙	10 Grease filling, bearing adjustment	H.. / SH..	K.. / SK..	N..
10.1	Grease filling, bearing adjustment, conventional	66	66	66
10.2	Grease filling, bearing adjustment, ECO / ECO MAXX	67	67	67
10.3	Grease filling, bearing adjustment, ECO ^{Plus}	68	68	68
10.4	Grease filling, bearing adjustment, ECO Plus 2	69	69	69
10.5	Grease filling, bearing adjustment, ECO Plus 3	70	70	70
10.6	Grease sprays for greasing taper roller bearings	71	71	71

1 Repair kits for BPW axles with drum brake

1.1 Brake SN 42..

Brake SN 42..

Axle type H.. / R..



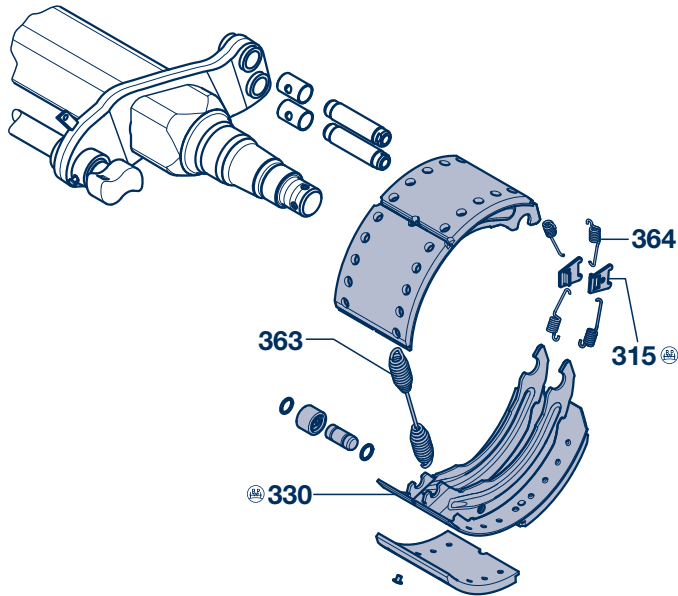
			Axle type	Brake	Year of manuf.			
			H.. / R.. 8 - 9t	SN 4216-2 SN 4218-2 SN 4220-2	1984 - 1995 1984 - 1995 1984 - 1995	H.. / R.. 10 - 12t	SN 4218-2 SN 4220-2 SN 4222-2	1984 - 1995 1984 - 1995 1984 - 1995
Item	Description	Quantity / Pieces	BPW Code no.	Dimension				
305	Repair kit brake, without brake shoes, with hub sealing, item 360 - 364, 422 - 447		09.801.02.01.0	for 1 axle		09.801.02.02.0	for 1 axle	
360	Splined pin	4	03.001.08.05.0	Ø 12 x 90		03.001.08.05.0	Ø 12 x 90	
363	Return spring	4	05.397.46.07.0	Ø 25 / 4 x 262		05.397.46.07.0	Ø 25 / 4 x 262	
364	Return spring	8	03.397.44.06.0	Ø 21 / 4 x 105		03.397.44.06.0	Ø 21 / 4 x 105	
422	Ring (Nylon)	2	03.310.97.31.0	Ø 110 / 141 x 2.5		03.310.98.21.0	Ø 128 / 165 x 2.5	
423	Ring (Nylon)	2	03.310.97.32.0	Ø 104 / 136 x 2.5		03.310.97.30.0	Ø 128 / 157 x 2.5	
447	Split pin	2	02.6201.82.01	8 x 50 / 1234		02.6201.84.01	8 x 63 / 1234	

Repair kits for BPW axles with drum brake 1

Brake SN 42.. 1.1

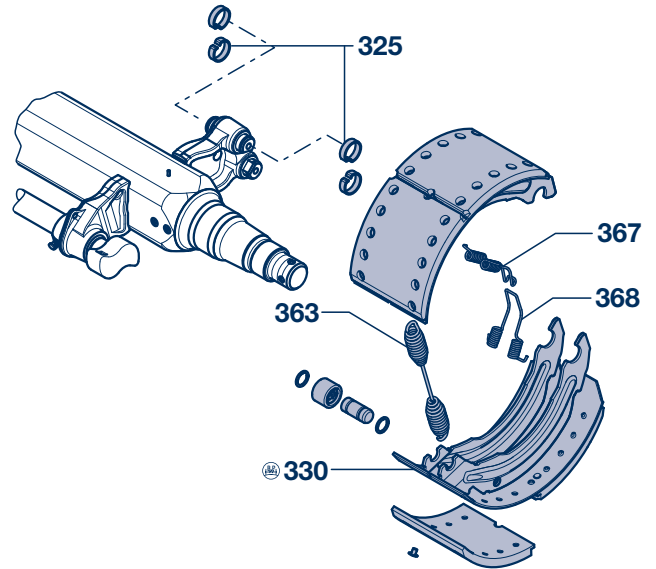
Brake SN 42..

Axle type H.. / R..



Design features up to 1995:

Brake anchor plate and brake bolt 2-piece, brake shoes fixed using **shaped plate (item 315)**.



Design features from 1995 onwards:

Brake anchor plate and brake bolt 1-piece, brake shoes fixed using **'C' Clip (item 325)**.

			Axle type		Brake	Year of manuf.	
			H.. / R.. 8 - 12t	SN 4218	1984 →	H.. / R.. 8 - 18t	SN 4220 1984 →
Item	Description	Quantity / Pieces	BPW Code no.	Dimension			
327	Repair kit brake, without brake shoes, item 315, 325, 363 - 368		09.801.02.44.0	for 1 axle		09.801.02.44.0	for 1 axle
328	Repair kit brake, with brake shoes, item 327 + 330		09.801.02.39.0	for 1 axle		09.801.02.38.0	for 1 axle
315	Shaped plate	4	03.167.23.09.0			03.167.23.09.0	
325	'C' Clip	8	03.188.02.02.0			03.188.02.02.0	
330	Brake shoe assembly with lining	4	05.091.46.14.1			05.091.27.82.1	
363	Return spring	2	05.397.58.03.0	Ø 34 / 5 x 274		05.397.58.03.0	Ø 34 / 5 x 274
364	Return spring	8	03.397.44.06.0	Ø 21 / 4 x 105		03.397.44.06.0	Ø 21 / 4 x 105
367	Return spring (Retention spring)	2	03.397.33.12.0	Hook		03.397.33.12.0	Hook
368	Return spring (Retention spring)	2	03.397.33.13.0	Eye		03.397.33.13.0	Eye

The axle beam and the brake were modified when the BPW 95 brake / ECO Drum brake was introduced. The aforementioned repair kits cover the versions before and after 1995. The illustrations above show the designation of the particular components.

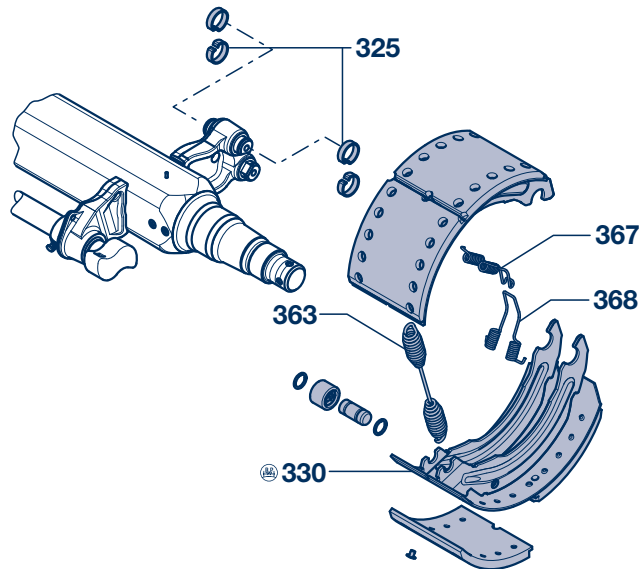
H

1 Repair kits for BPW axles with drum brake

1.1 Brake SN 42..

Brake SN 42..

Axle type H.. / R..



			Axle type	Brake	Year of manuf.	
			H.. / R.. 8 - 12t	SN 4218	1995 →	
					H.. / R.. 8 - 18t	SN 4220 1995 →
Item	Description	Quantity / Pieces	BPW Code no.	Dimension		
327	Repair kit brake, without brake shoes, item 315, 325, 363 - 368		09.801.06.79.0	for 1 axle	09.801.06.79.0	for 1 axle
328	Repair kit brake, with brake shoes, item 327 + 330		09.801.07.39.0	for 1 axle	09.801.07.49.0	for 1 axle
325	'C' Clip	8	03.188.02.02.0		03.188.02.02.0	
330	Brake shoe assembly with lining	4	05.091.46.32.1		05.091.47.04.1	
363	Return spring	2	05.397.58.03.0	Ø 34 / 5 x 274	05.397.58.03.0	Ø 34 / 5 x 274
367	Return spring (Retention spring)	2	03.397.33.12.0	Hook	03.397.33.12.0	Hook
368	Return spring (Retention spring)	2	03.397.33.13.0	Eye	03.397.33.13.0	Eye

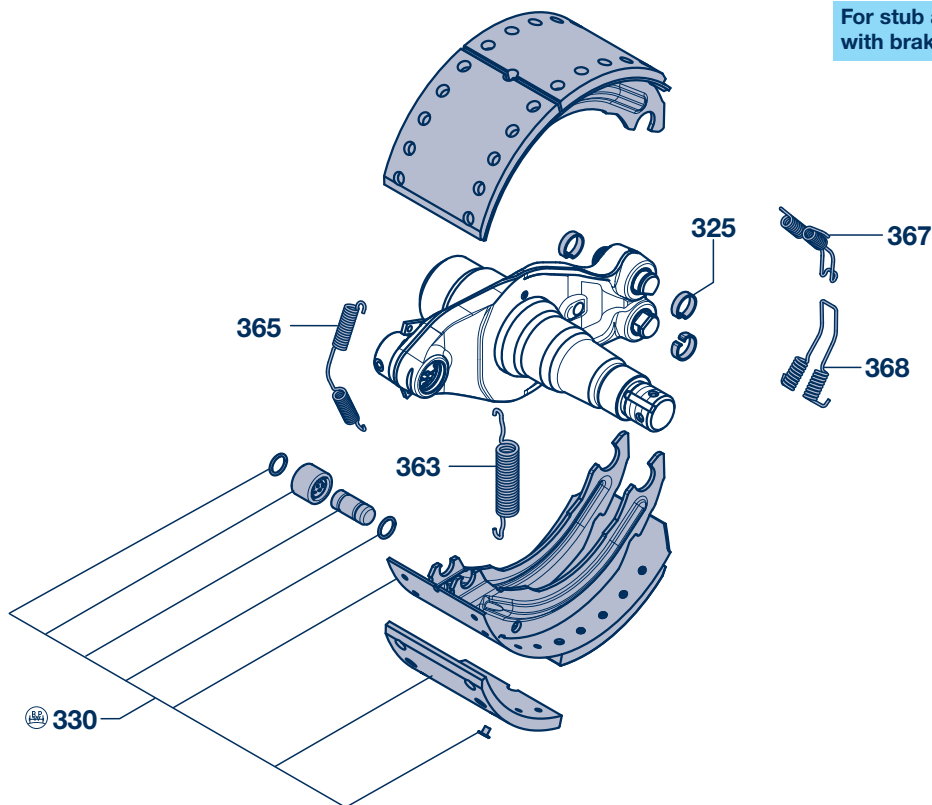
Repair kits for BPW axles with drum brake 1

Brake SN 4218 ECO Drum 1.1

Brake SN 4218 ECO Drum

Axle type MVBST 10010

For stub axle MVBST 10010 with brake SN 4218 ECO Drum



			Axle type	Brake	Year of manuf.
			H. / R. 8 - 12t	SN 4218	1995 →
Item	Description	Quantity / Pieces	BPW Code no.	Dimension	
328	Repair kit brake, with brake shoes, item 325, 330, 363 - 368		09.801.07.48.0	for 1 axle side	
325	'C' Clip	4	03.188.02.02.0		
330	Brake shoe assembly with lining	2	05.091.46.32.1		
363	Return spring	1	03.397.46.14.0	Ø 25.5 / 4.5 x 200	
365	Return spring	1	03.397.34.20.0	Ø 16 / 3.6	
367	Return spring (Retention spring)	1	03.397.33.12.0	Hook	
368	Return spring (Retention spring)	1	03.397.33.13.0	Eye	

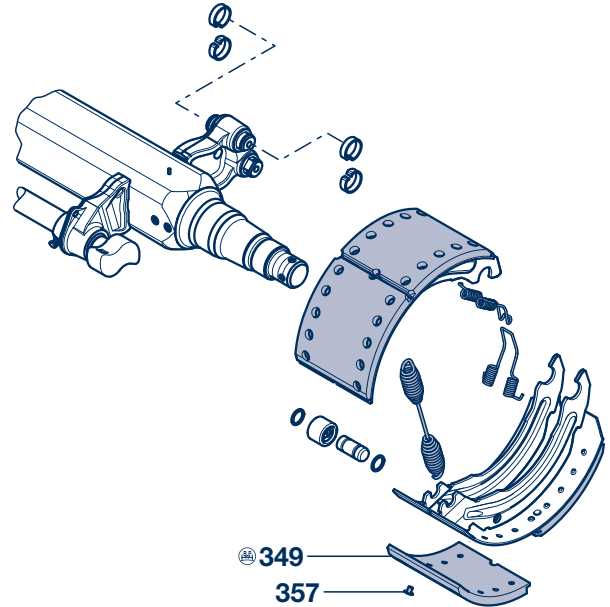
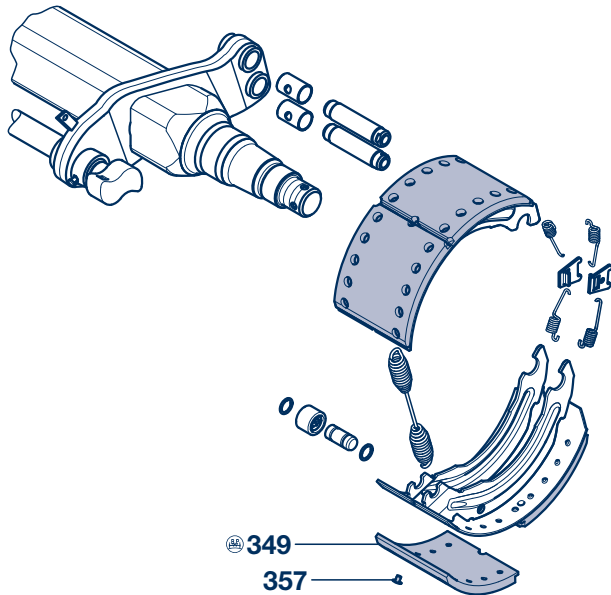
H

1 Repair kits for BPW axles with drum brake

1.1 Brake linings SN 42..

Brake linings SN 4218 / 4220

Axle type H.. / R..



			Axle type	Brake	Year of manuf.	
			H.. / R.. 6 - 12t	SN 4218	all	H.. / R.. 8 - 20t
						SN 4220
Item	Description	Quantity / Pieces	BPW Code no.	Dimension		all
349	Repair kit brake lining	8 linings for 1 axle	09.801.07.41.0 *	18 mm	09.801.07.45.0 *	18 mm
			09.801.07.42.0 *	19 mm	09.801.07.46.0 *	19 mm
			09.801.07.43.0 *	20 mm	09.801.07.47.0 *	20 mm
357	Niet (VPE with 80 pieces)		02.5805.80.35	B 8 x 15 / 7338	order rivets separately	

Brake linings are only available as kit (09.801...)!

* Rivets not included in repair kit brake lining → order rivets separately

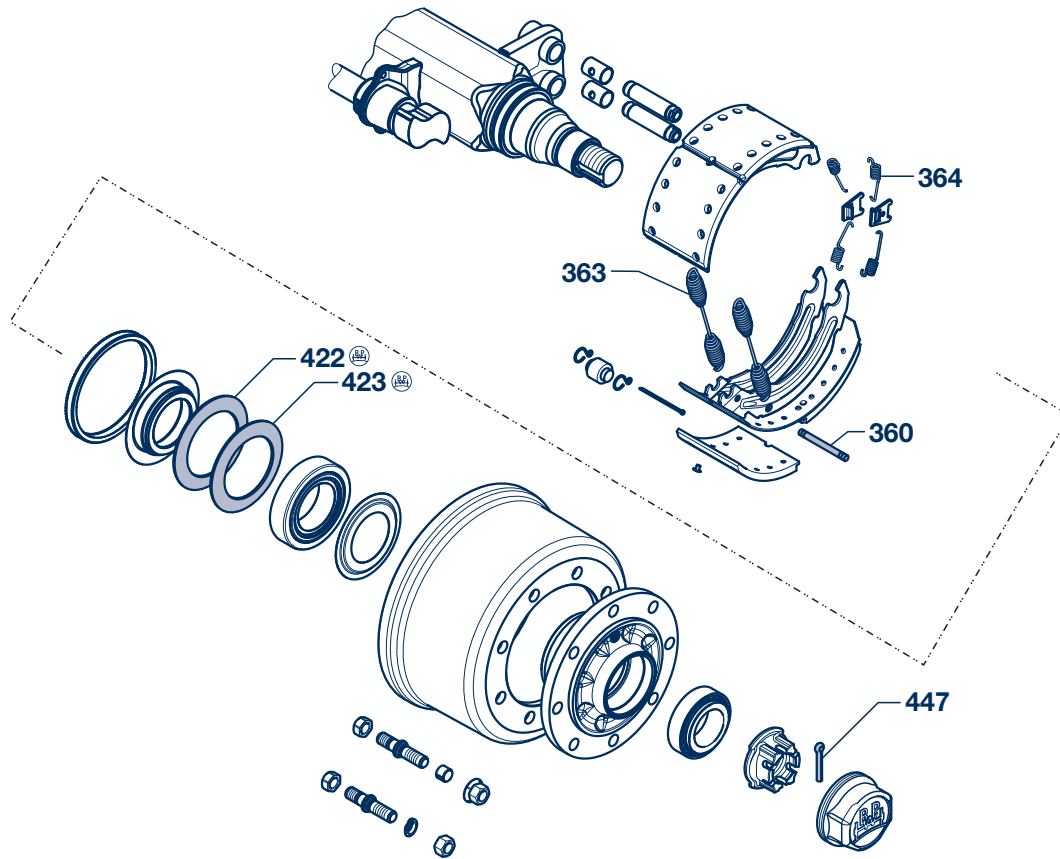
Notes

1 Repair kits for BPW axles with drum brake

1.2 Brake SN 3620

Brake SN 3620

Axle type K..



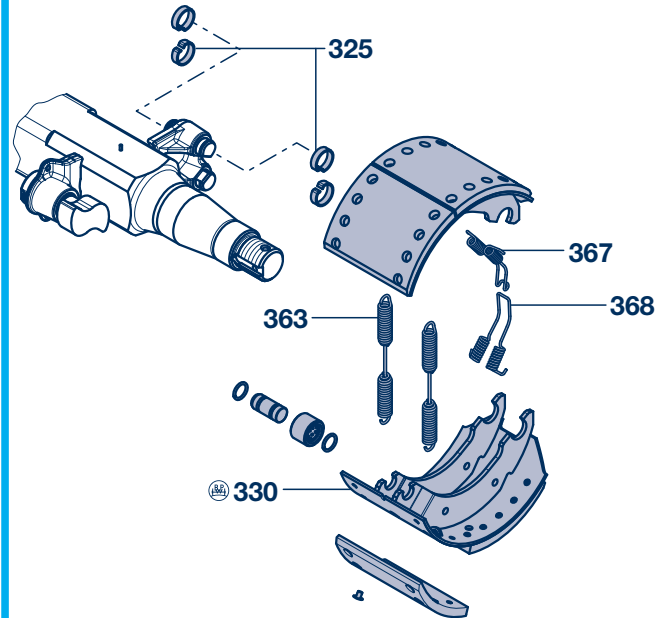
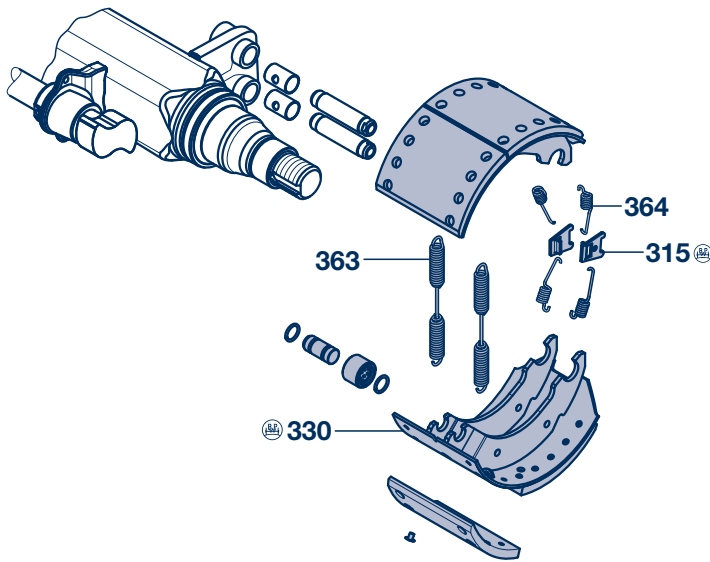
			Axle type	Brake	Year of manuf.
			K.. 8 - 9t	SN 3620	→ 1995
Item	Description	Quantity / Pieces	BPW Code no.	Dimension	
305	Repair kit brake, without brake shoes, with hub sealing, item 360 - 364, 422 - 447		09.801.02.03.0	for 1 axle	
360	Bolt	4	03.084.42.02.0	Ø 12 x 120	
363	Return spring	4	05.397.45.14.0	Ø 24 / 4 x 218	
364	Return spring	8	03.397.44.06.0	Ø 21 / 4 x 105	
422	Ring (Nylon)	2	03.310.97.31.0	Ø 110 / 141 x 2.5	
423	Ring (Nylon)	2	03.310.97.32.0	Ø 104 / 136 x 2.5	
447	Split pin	2	02.6201.82.01	8 x 50 / 1234	

Repair kits for BPW axles with drum brake **1**

Brake SN 3620 **1.2**

Brake SN 3620

Axle type K..



Design features up to 1995:

Brake anchor plate and brake bolt 2-piece, brake shoes fixed using **shaped plate (item 315)**.

Design features from 1995 onwards:

Brake anchor plate and brake bolt 1-piece, brake shoes fixed using **'C' Clip (item 325)**.

Item	Description	Quantity / Pieces	Axle type		Brake		Year of manuf.	
			K.. 8 - 12t	SN 3620	→ 1995	K.. 8 - 12t	SN 3620	1995 →
327	Repair kit brake, without brake shoes, item 315, 325, 363 - 368		09.801.02.45.0	for 1 axle		09.801.06.81.0	for 1 axle	
328	Repair kit brake, with brake shoes, item 327 + 330		09.801.02.40.0		for 1 axle			
315	Shaped plate	4	03.167.23.09.0			-		
325	'C' Clip	8	03.188.02.02.0			03.188.02.02.0		
330	Brake shoe assembly with lining	4	05.091.19.22.1			05.091.19.22.1		
363	Return spring	2	05.397.46.13.0	Ø 24.5 / 4 x 236		05.397.46.13.0	Ø 24.5 / 4 x 236	
364	Return spring	8	03.397.44.06.0	Ø 21 / 4 x 105		03.397.44.06.0	Ø 21 / 4 x 105	
367	Return spring (Retention spring)	2	03.397.33.12.0	Hook		03.397.33.12.0	Hook	
368	Return spring (Retention spring)	2	03.397.33.13.0	Eye		03.397.33.13.0	Eye	

The axle beam and the brake were modified when the BPW 95 brake / ECO Drum brake was introduced. The aforementioned repair kits cover the versions before and after 1995. The illustrations above show the designation of the particular components.

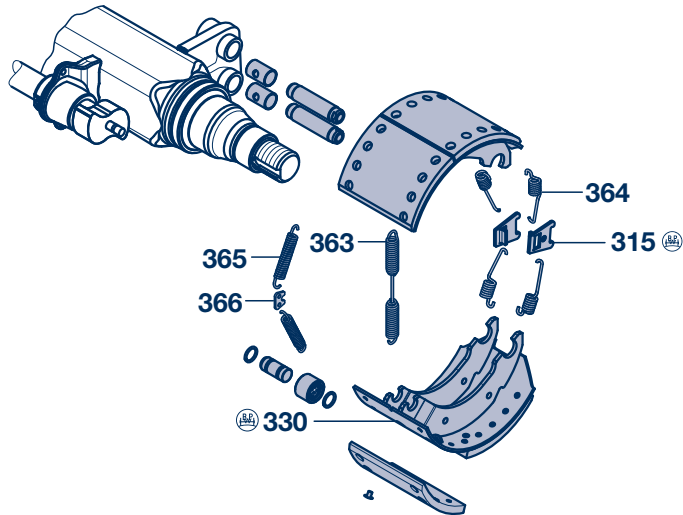
K

1 Repair kits for BPW axles with drum brake

1.2 Brake SN 3616

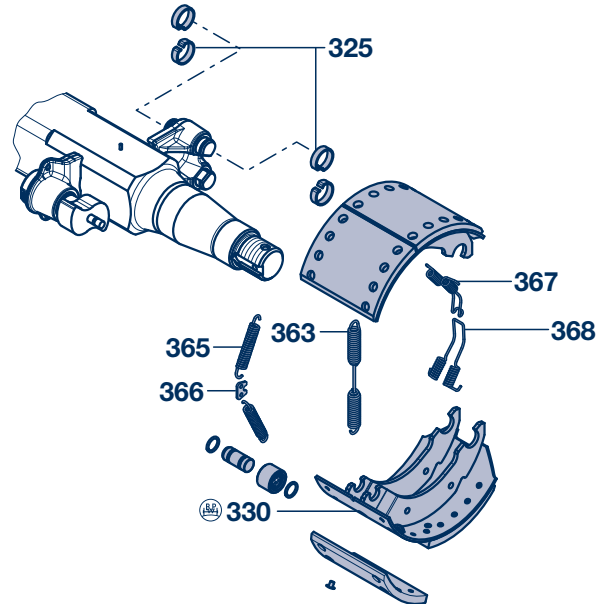
Brake SN 3616

Axle type K..



Design features up to 1995:

Brake anchor plate and brake bolt 2-piece,
brake shoes fixed using **shaped plate (item 315)**.



Design features from 1995 onwards:

Brake anchor plate and brake bolt 1-piece,
brake shoes fixed using **'C' Clip (item 325)**.

Item	Description	Quantity / Pieces	Axle type		Brake		Year of manuf.	
			K.. 6.4 - 9t	SN 3616	1984 →	K.. 6.4 - 9t	SN 3616	1984 →
327	Repair kit brake, without brake shoes, item 315, 325, 363 - 368		09.801.02.46.0	for 1 axle	09.801.06.82.0	for 1 axle		
328	Repair kit brake, with brake shoes, item 327 + 330		09.801.02.41.0	for 1 axle	-			
315	Shaped plate	4	03.167.23.09.0		-			
325	'C' Clip	8	03.188.02.02.0		03.188.02.02.0			
330	Brake shoe assembly with lining	4	05.091.19.24.1		-			
363	Return spring	2	05.397.46.13.0	Ø 24.5 / 4 x 236	05.397.46.13.0	Ø 24.5 / 4 x 236		
364	Return spring	8	03.397.44.06.0	Ø 21 / 4 x 105	-			
365	Return spring	4	03.397.44.10.0	Ø 22 / 4 x 119	03.397.44.10.0	Ø 22 / 4 x 119		
366	Plate	2	03.285.22.05.0		-			
367	Return spring (Retention spring)	2	03.397.33.12.0	Hook	03.397.33.12.0	Hook		
368	Return spring (Retention spring)	2	03.397.33.13.0	Eye	03.397.33.13.0	Eye		



The axle beam and the brake were modified when the BPW 95 brake / ECO Drum brake was introduced. The aforementioned repair kits cover the versions before and after 1995. The illustrations above show the designation of the particular components.

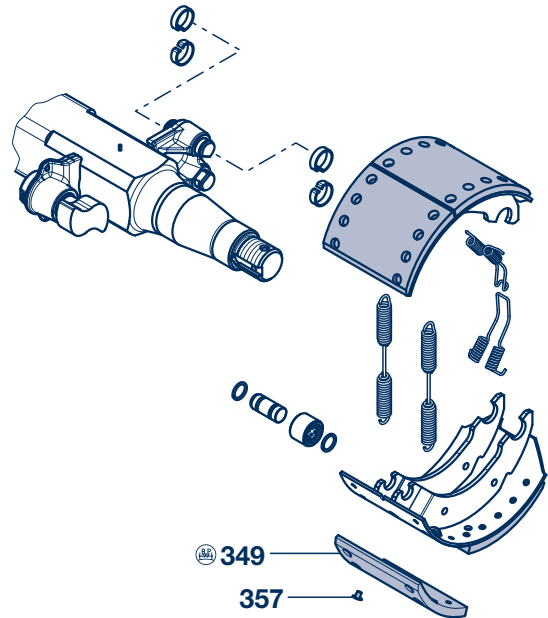
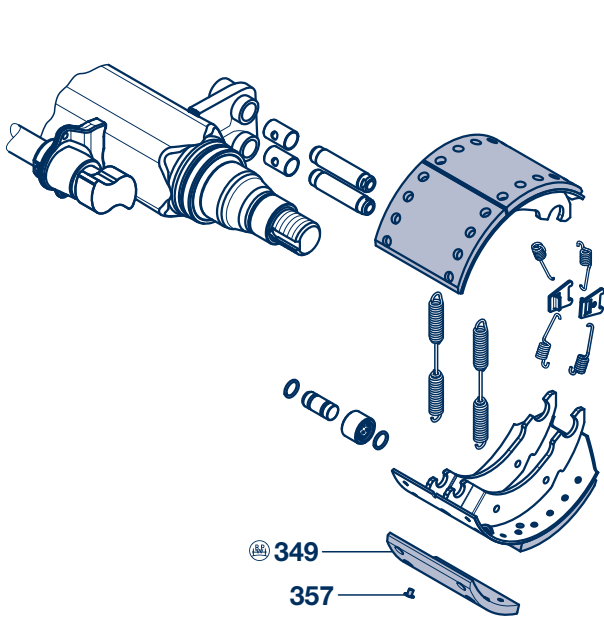
Repair kits for BPW axles with drum brake **1**

Brake linings SN 3620 **1.2**

Brake linings SN 3620

Axle type K..

K



			Axle type	Brake	Year of manuf.
			K.. 6 - 12t	SN 3620	all
Item	Description	Quantity / Pieces	BPW Code no.	Dimension	
349	Repair kit brake lining	8 linings	09.801.08.04.0 *	18 mm	for 1 axle
357	Rivet (VPE with 80 pieces)		02.5805.80.35	B 8 x 15 / 7338	order rivets separately

Brake linings are only available as kit (09.801...)!

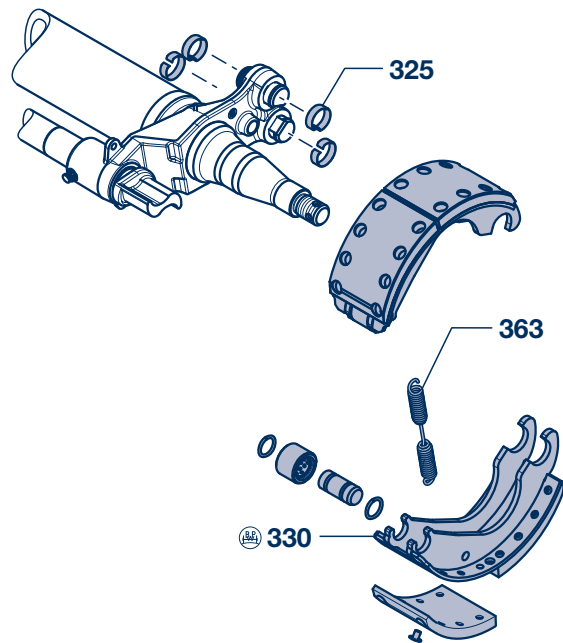
* Rivets not included in repair kit brake lining → **order rivets separately**

1 Repair kits for BPW axles with drum brake

1.3 Brake SN 30..

Brake SN 3010 BPW 95

Axle type N..



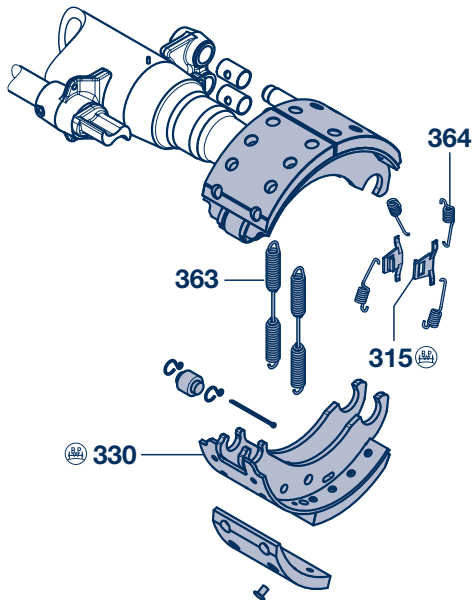
			Axle type	Brake	Year of manuf.
			NR.. 5.5 - 7t	SN 3010	1995 →
Item	Description	Quantity / Pieces	BPW Code no.	Dimension	
305	Repair kit brake, with brake shoes, item 325, 330, 363		09.801.07.74.0	for 1 axle	
325	'C' Clip	8	03.188.02.02.0		
330	Brake shoe assembly with lining	4	05.091.12.27.1		
363	Return spring	2	05.397.34.17.0	Ø 20 / 3.6 x 180	

Repair kits for BPW axles with drum brake 1

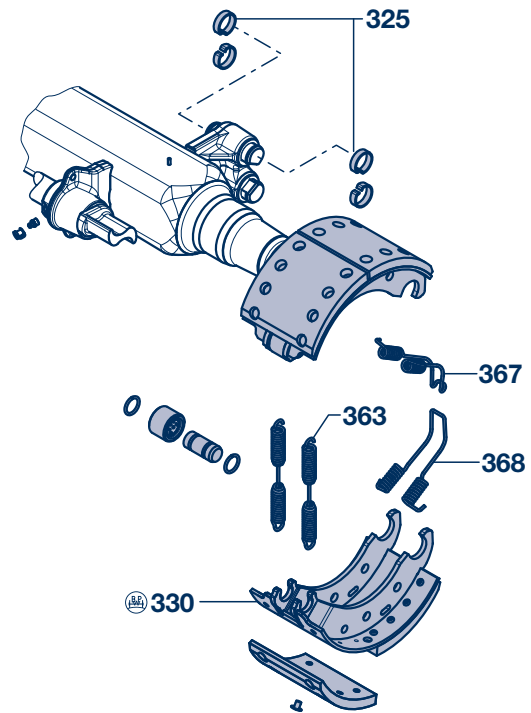
Brake SN 30.. 1.3

Brake SN 30..

Axle type N..



Design features up to 1995:
Brake anchor plate and brake bolt 2-piece,
brake shoes fixed using **shaped plate (item 315)**.



Design features from 1995 onwards:
Brake anchor 1-piece and brake bolt 1-piece,
brake shoes fixed using **'C' Clip (item 325)**.

Item	Description	Quantity / Pieces	Axle type		Brake		Year of manuf.	
			N.. 6 - 9t	N.. 8 - 13t	SN 3015	SN 3020	1990 →	1990 →
Item	Description	Quantity / Pieces	BPW Code no.	Dimension				
327	Repair kit brake, without brake shoes, item 315, 325, 363 - 368		09.801.02.47.0	for 1 axle	09.801.02.47.0		for 1 axle	
328	Repair kit brake, with brake shoes, item 327 + 330		09.801.02.43.0	for 1 axle	09.801.02.42.0		for 1 axle	
315	Shaped plate	4	03.167.24.01.0		03.167.24.01.0			
325	'C' Clip	8	03.188.02.02.0		03.188.02.02.0			
330	Brake shoe assembly with lining	4	05.091.15.05.1		05.091.14.77.1			
363	Return spring	4	05.397.34.17.0	Ø 20 / 3.6 x 180	05.397.34.17.0		Ø 20 / 3.6 x 180	
364	Return spring	8	03.397.44.06.0	Ø 21 / 4 x 105	03.397.44.06.0		Ø 21 / 4 x 105	
367	Return spring (Retention spring)	2	03.397.33.08.0	Hook	03.397.33.08.0		Hook	
368	Return spring (Retention spring)	2	03.397.33.09.0	Eye	03.397.33.09.0		Eye	

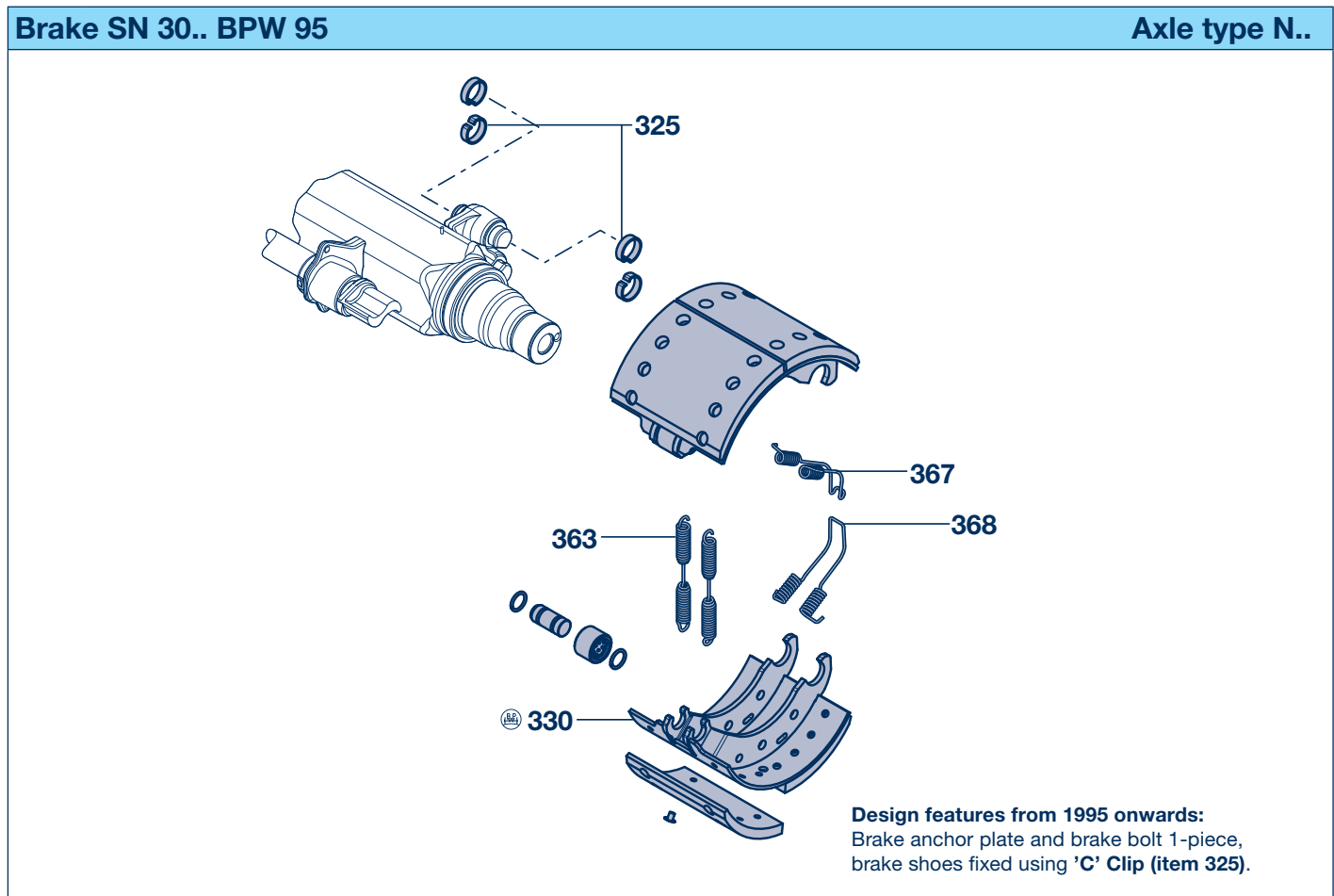
The axle beam and the brake were modified when the BPW 95 brake / ECO Drum brake was introduced. The aforementioned repair kits cover the versions before and after 1995. The illustrations above show the designation of the particular components.

Brake shoes with closed location eyes (Version-1) can not be fitted to brake with split roller (BPW 95).

N

1 Repair kits for BPW axles with drum brake

1.3 Brake SN 30.. BPW 95

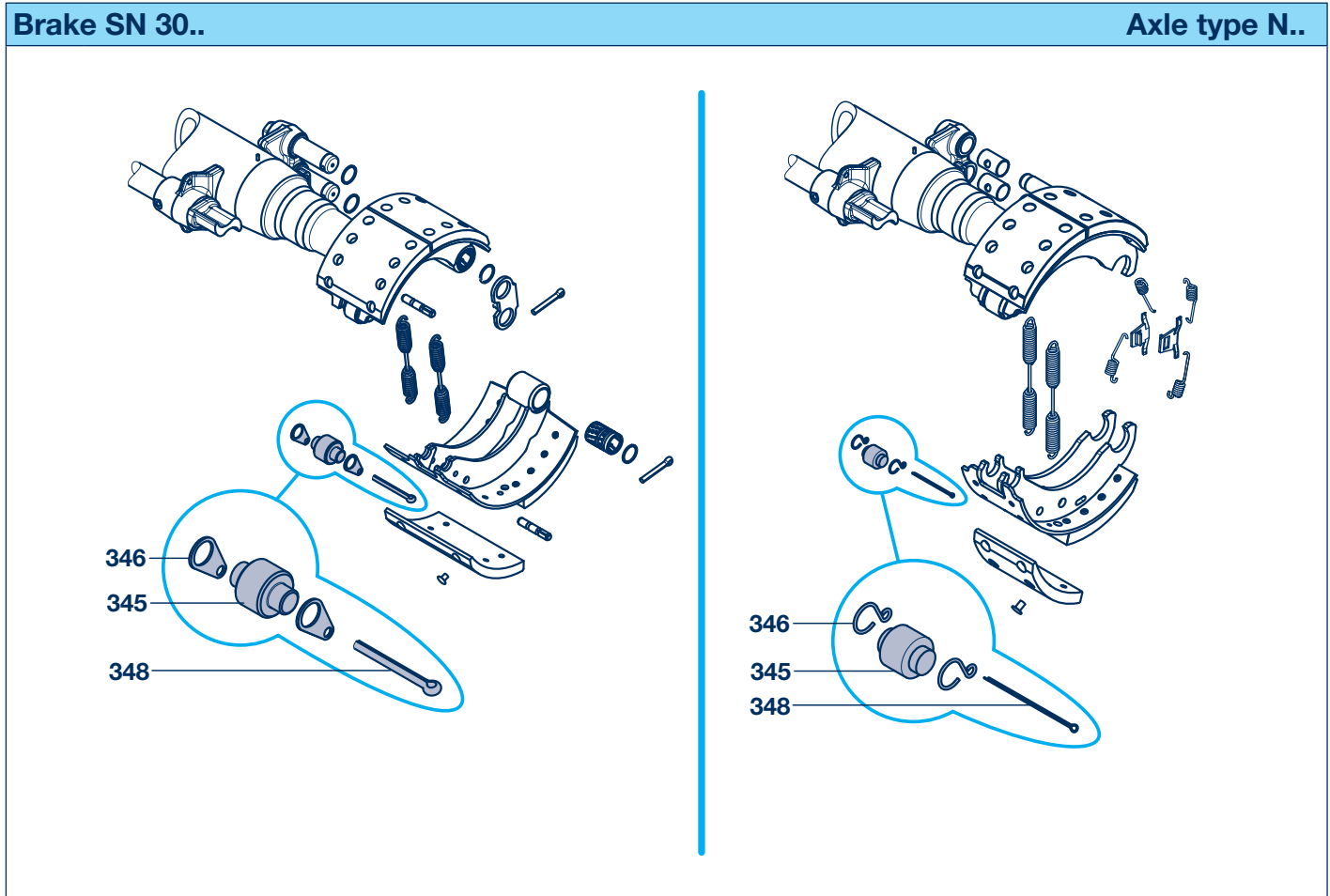


			Axle type	Brake	Year of manuf.	
			N.. 6 - 9t	SN 3015	1995 →	N.. 8 - 13t
						SN 3020
						1995 →
Item	Description	Quantity / Pieces	BPW Code no.	Dimension		
327	Repair kit brake, without brake shoes, item 325, 363 - 368		09.801.06.80.0	for 1 axle	09.801.06.80.0	for 1 axle
328	Repair kit brake, with brake shoes, item 327 + 330		09.801.08.01.0	for 1 axle	09.801.08.02.0	for 1 axle
325	'C' Clip	8	03.188.02.02.0		03.188.02.02.0	
330	Brake shoe assembly with lining	4	05.091.15.05.1		05.091.14.77.1	
363	Return spring	4	05.397.34.17.0	Ø 20 / 3.6 x 180	05.397.34.17.0	Ø 20 / 3.6 x 180
367	Return spring (Retention spring)	2	03.397.33.08.0	Hook	03.397.33.08.0	Hook
368	Return spring (Retention spring)	2	03.397.33.09.0	Eye	03.397.33.09.0	Eye

Notes

1 Repair kits for BPW axles with drum brake

1.4 Brake shoe roller



			Axle type	Brake	Year of manuf.		
			N..	SN 3015-1 SN 3020-1 Brake shoes with closed anchor eye ---.582. / 586.---	1982 - 1989 1982 - 1989	N..	SN 3015 SN 3020 Quick-release brake shoes ---.592. / 596.---
Item	Description	Quantity / Pieces	BPW Code no.	Dimension			
327	Repair kit brake shoe roller, item 345 - 348		09.801.02.11.0	for 1 axle	09.801.02.12.0	for 1 axle	
345	Roller	4	03.331.34.01.0	Ø 26 / 42 x 78	03.331.34.01.0	Ø 26 / 42 x 78	
346	Shackle	8	03.232.13.01.0		-		
346	Circlip	8	-		03.350.00.14.0		
348	Split pin	4	02.6201.83.03	8 x 71 / 1234	02.6201.66.03	6.3 x 90 / 1234	

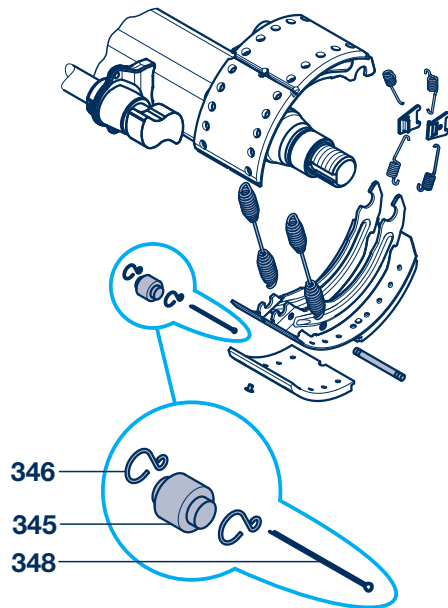
Repair kits for BPW axles with drum brake 1

Brake shoe roller 1.4

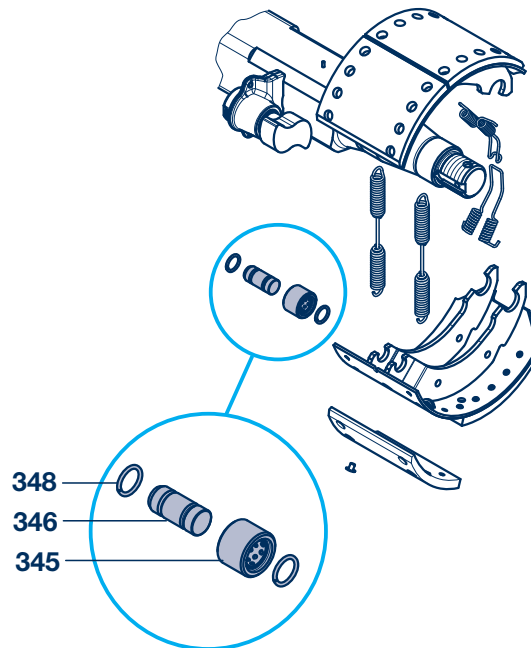
Brake SN 42.. / 36.. / 30..

Axle type H.. / K.. / N..

SN 42..-2
SN 36..



SN 42.. BPW 95 / ECO Drum
SN 36.. BPW 95
SN 30.. BPW 95



Axle type	Brake	Year of manuf.	H.. / R..	SN 42..	1995 →
H.. / R.. 8 - 9t	SN 4216-2	1984 - 1995	K..	SN 36..	1995 →
H.. / R.. 8 - 10t	SN 4218-2	1984 - 1995	N..	SN 30..	1995 →
H.. / R.. 8 - 18t	SN 4220-2	1984 - 1995			
H.. / R.. 12 - 18t	SN 4222-2	1984 - 1995			
K.. 8 - 13t	SN 3620	→ 1995			

Item	Description	Quantity / Pieces	BPW Code no.	Dimension	09.801.02.91.0	for 1 axle side
327	Repair kit brake shoe roller, item 345 - 348		09.801.02.10.0	for 1 axle	09.801.02.91.0	for 1 axle side
345	Roller	4	03.331.34.05.0	Ø 26 / 42 x 78	-	
345	Roller	2	-		05.331.44.02.0	Ø 28 / 45 x 33.5
346	Circlip	8	03.350.00.13.0		-	
346	Bolt	2	-		03.084.75.24.0	Ø 26 x 58.5
348	Split pin	4	02.6201.66.03	6.3 x 90 / 1234	-	
348	Ring	4	-		03.310.70.15.0	Ø 24 / 31 / 3.5

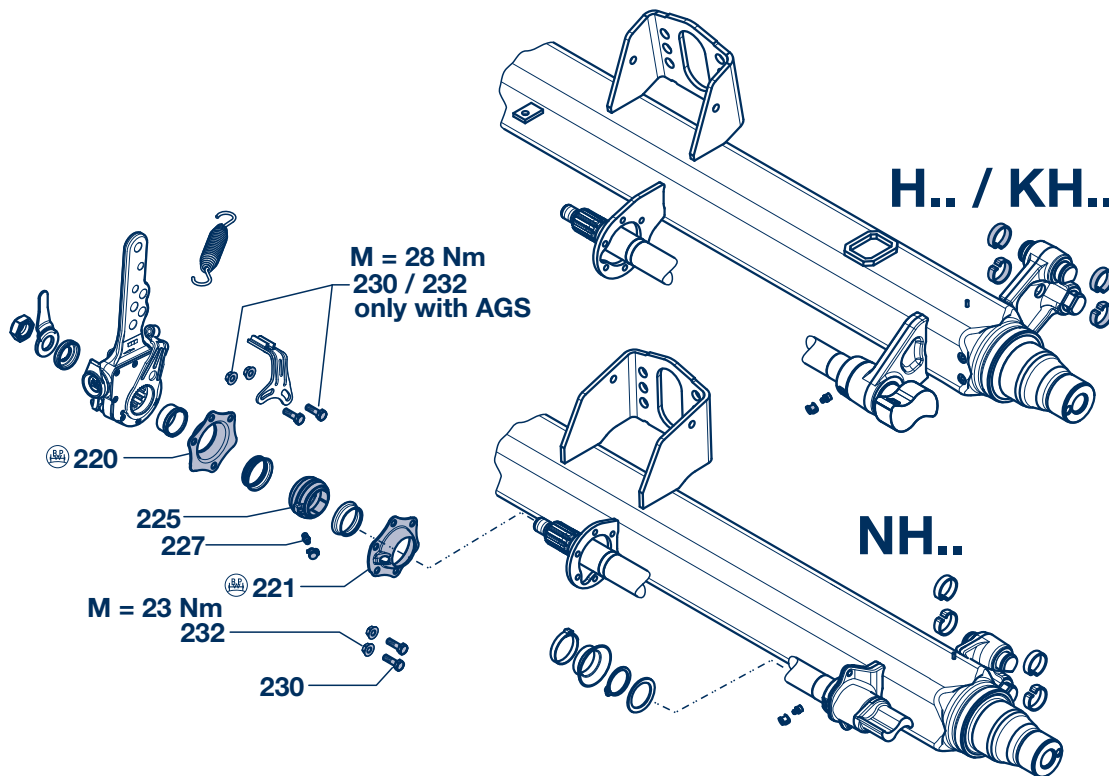
H
K
N

1 Repair kits for BPW axles with drum brake

1.5 Support bearing

Brake SN 42.. / 36.. / 30..

Axle type H.. / K.. / N..

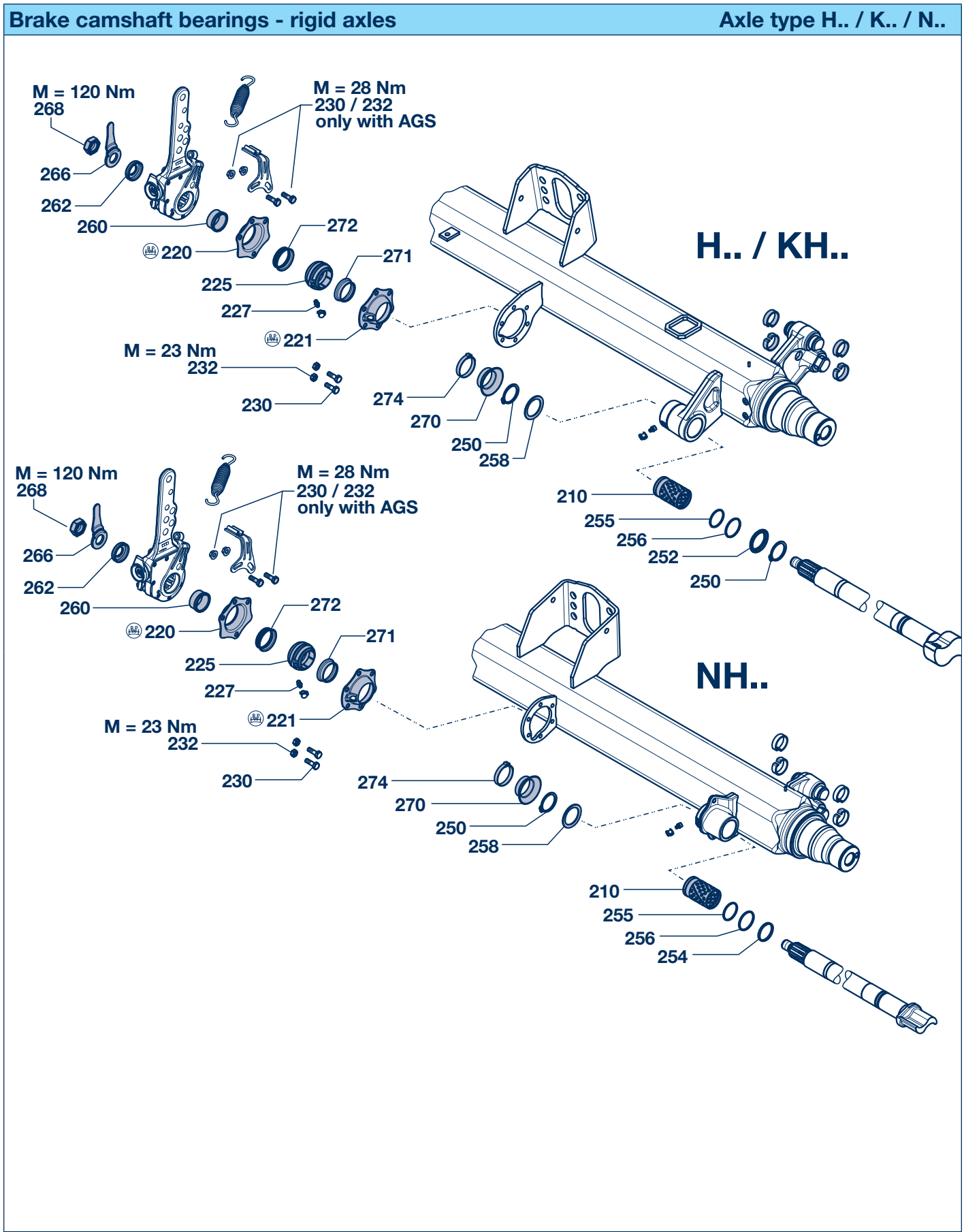


			Axle type	Brake	Year of manuf.
			H.. / R.. 6 - 18t	SN 42..	all
			K.. 6 - 13t	SN 36..	all
			N.. 6 - 13t	SN 30..	all
Item	Description	Quantity / Pieces	BPW Code no.	Dimension	
219	Repair kit support bearing, item 220 - 232, 288, 289		09.801.02.15.1	for 1 axle side	
220	Bearing box	1	03.229.02.18.0		
221	Bearing box (for grease nipple)	1	03.229.02.19.0		
224	Support bearing assy., item 225 + 227	1	05.377.00.07.0	Ø 42 / 60 x 38	
225	Spherical bearing	1	03.113.14.04.0	Ø 42 / 60 x 38	
227	Grease nipple	1	02.6850.17.00	BM 8 x 1 / 71412	
230	Hexagon bolt	4	02.5025.31.88	M 8 x 30 / 933	
232	Lock nut	4	02.5273.49.88	M 8	

Notes

1 Repair kits for BPW axles with drum brake

1.6 Brake camshaft bearings - rigid axles



H
K
N

Repair kits for BPW axles with drum brake 1

Brake camshaft bearings - rigid axles 1.6

Brake camshaft bearings - rigid axles				Axle type H.. / K.. / N..		
Brake camshafts with last digit 3 / 4			Axle type	Brake	Year of manuf.	
			H.. / R.. 6 - 18t	SN 42..	all	H.. / R.. 6 - 18t
			K.. 6 - 13t	SN 36..	all	K.. 6 - 13t
			N.. 6 - 13t	SN 30..	all	N.. 6 - 13t
Item	Description	Quantity / Pieces	BPW Code no.	Dimension		
208	Repair kit brake camshaft bearing, item 210 - 245, 271, 272)		09.801.06.09.1	for 1 axle	09.801.02.13.1	for 1 axle side
210	Bush	2 / 1	03.112.44.34.0	Ø 42 / 46 x 73	03.112.44.34.0	Ø 42 / 46 x 73
220	Bearing box	2 / 1	03.229.02.18.0		03.229.02.18.0	
221	Bearing box (for grease nipple)	2 / 1	03.229.02.19.0		03.229.02.19.0	
224	Support bearing assy., item 225 + 227	2 / 1	05.377.00.07.0		05.377.00.07.0	
225	Spherical bearing	2 / 1	03.113.14.04.0	Ø 42 / 60 x 38	03.113.14.04.0	Ø 42 / 60 x 38
227	Grease nipple	2 / 1	02.6850.17.00	BM 8 x 1 / 71412	02.6850.17.00	BM 8 x 1 / 71412
230	Hexagon bolt	8 / 4	02.5025.31.88	M 8 x 30 / 933	02.5025.31.88	M 8 x 30 / 933
232	Lock nut	8 / 4	02.5273.49.88	M 8	02.5273.49.88	M 8
245	Repair kit brake camshaft bearing, item 250 - 270, 274	2 / 1	09.801.00.43.1	for 1 axle side	09.801.00.43.1	for 1 axle side
250	Circlip	4 / 2	02.5676.01.00	A 42 x 2.5 (N.. 2x)	02.5676.01.00	A 42 x 2.5 (N.. 2x)
252	Ring	2 / 1	03.310.12.24.0	Ø 42 / 46 / 55 x 7	03.310.12.24.0	Ø 42 / 46 / 55 x 7
254	Ring	2 / 1	03.310.81.02.0	Ø 42 / 46 x 4 (only N..)	03.310.81.02.0	Ø 42 / 46 x 4 (only N..)
255	'O'-Ring	2 / 1	02.5677.37.42	Ø 37 x 2.6 (black)	02.5677.37.42	Ø 37 x 2.6 (black)
256	'O'-Ring	2 / 1	02.5679.23.00	Ø 40 x 2.5 (green)	02.5679.23.00	Ø 40 x 2.5 (green)
258	Seal	2 / 1	03.120.42.02.0	Ø 42 / 56 x 2	03.120.42.02.0	Ø 42 / 56 x 2
260	Bush	2 / 1	03.113.03.06.0	Ø 37.4 / 45 x 21.3	03.113.03.06.0	Ø 37.4 / 45 x 21.3
262	Washer	2 / 1	03.320.11.16.1	Ø 22.5 / 42 x 10.5	03.320.11.16.1	Ø 22.5 / 42 x 10.5
268	Lock nut	2 / 1	03.260.14.08.0	M 22 x 1.5 / SW 32	03.260.14.08.0	M 22 x 1.5 / SW 32
270	Seal	2 / 1	03.120.43.14.0	Ø 41 x 25	03.120.43.14.0	Ø 41 x 25
270	Seal	2 / 1	03.120.43.19.0 ¹⁾	Ø 41/37 x 25	03.120.43.19.0 ¹⁾	Ø 41/37 x 25
271	Seal	2 / 1	03.120.42.09.0	Ø 42 x 15	03.120.42.09.0	Ø 42 x 15
272	Seal	2 / 1	03.120.42.08.0	Ø 45 x 13.5	03.120.42.08.0	Ø 45 x 13.5
274	Circlip	2 / 1	03.350.30.02.0	Ø 49 x 9	03.350.30.02.0	Ø 49 x 9

¹⁾ with new camshaft 10 / 14 -

H

K

N

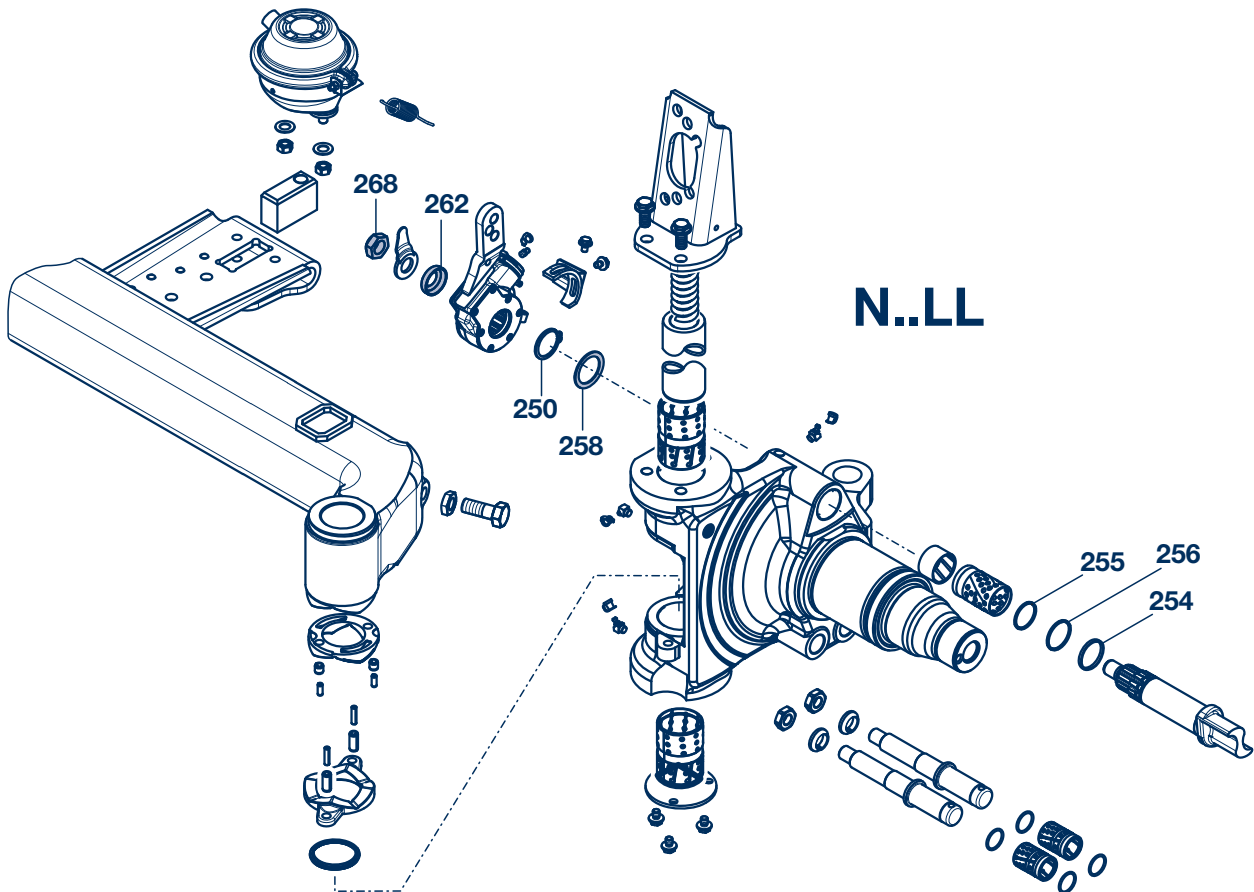
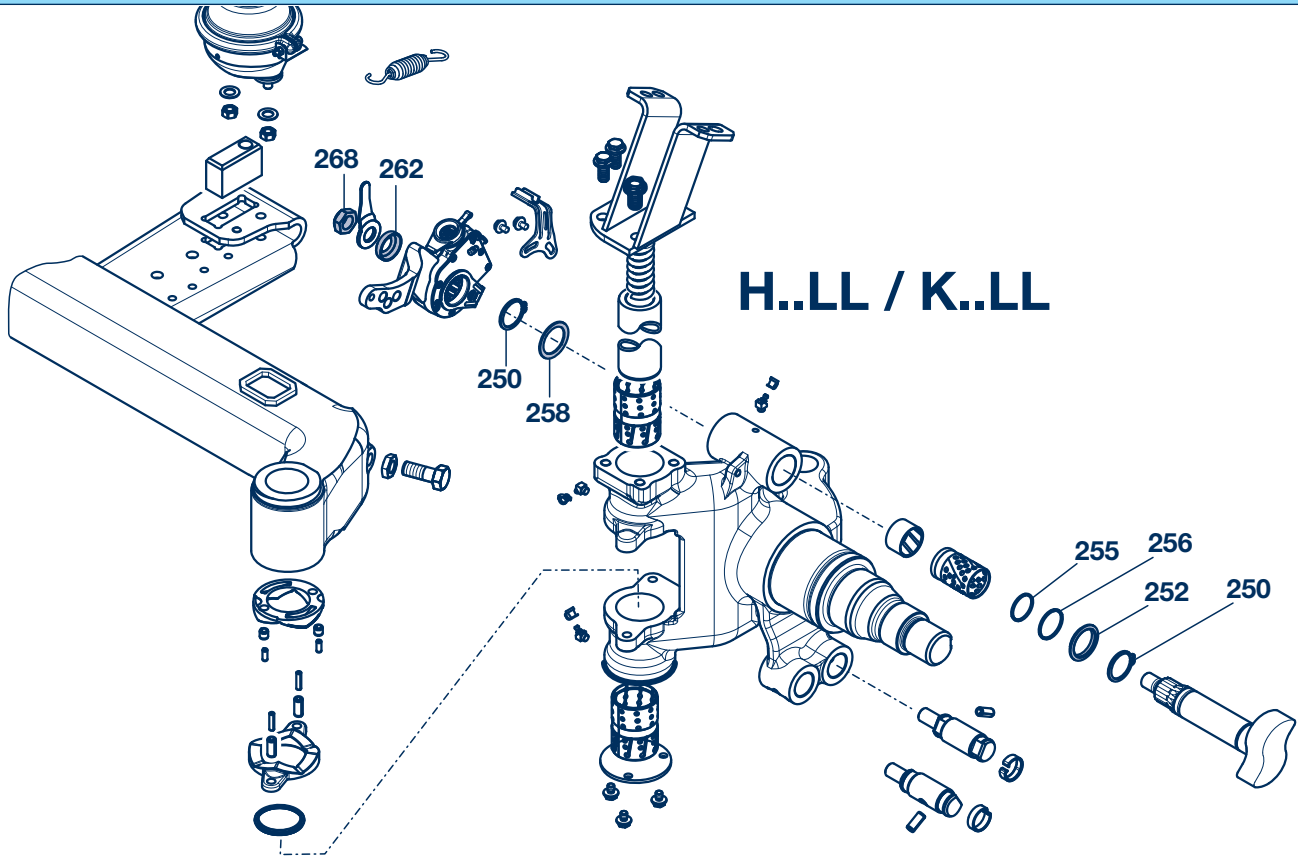
1 Repair kits for BPW axles with drum brake

1.7 Brake camshaft bearings - steering axles series LL

Brake camshaft bearings - steering axles series LL

Axle type H.. / K.. / N..

H
K
N



Repair kits for BPW axles with drum brake 1

Brake camshaft bearings - steering axles series LL 1.7

Brake camshaft bearings - steering axles series LL			Axle type H.. / K.. / N..		
			Axle type	Brake	Year of manuf.
			H..LL 8 - 12t	SN 42..	all
			K..LL 8 - 12t	SN 36..	all
			N..LL 8 - 12t	SN 30..	all
Item	Description	Quantity / Pieces	BPW Code no.	Dimension	
208	Repair kit brake camshaft bearing, item 250 - 268)		09.801.00.41.0	for 1 axle side	
250	Circlip	2	02.5676.01.00	A 42 x 2.5 (N.. 2x)	
252	Ring	1	03.310.12.24.0	Ø 42 / 46 / 55 x 7	
254	Ring	1	03.310.81.02.0	Ø 42 / 46 x 4 (only N..)	
255	'O'-Ring	1	02.5677.37.42	Ø 37 x 2.6 (black)	
	e.g.				
	'O'-Ring	1	02.5677.30.40	Ø 34 x 4	
256	'O'-Ring	1	02.5679.23.00	Ø 40 x 2.5 (green)	
258	Seal	1	03.120.42.02.0	Ø 42 / 56 x 2	
262	Washer	1	03.320.11.16.1	Ø 22.5 / 42 x 10.5	
268	Lock nut	1	03.260.14.08.0	M 22 x 1.5 / SW 32	

H

K

N

1 Repair kits for BPW axles with drum brake

1.8 Automatic slack adjuster kits (AGS)

Automatic slack adjuster kits (AGS)						
BPW Code no.		Possible cylinder connection		Dimension		
Slack adjuster	Slack adjuster kit	Quantity holes	Lever lengths (HL (Ø 14))	Fig.	α	β
05.174.82.21.3	05.574.82.43.3	6	120 / 135 / 150 / 165 (180 = Ø 11 / 250 = Ø 14)	A	120°	-
05.174.82.22.3	05.574.82.55.3	5	120 / 135 / 150 / 165 (180 = Ø 11)	B	120°	-
05.174.82.24.3	05.574.82.44.3	6	120 / 135 / 150 / 165 (180 = Ø 11 / 250 = Ø 14)	A	180°	-
05.174.82.31.3	05.574.82.67.3	5	120 / 135 / 150 / 165 (180 = Ø 11)	B	180°	-
05.174.82.32.3	05.574.82.66.3	5	120 / 135 / 150 / 165 (180 = Ø 11)	B	210°	-
05.174.82.40.3	05.574.82.45.3	7	120 / 135 / 150 / 165 (180 = Ø 11 / 244 = Ø 9 / 250 = Ø 14)	A	210°	-
05.174.82.44.3	05.574.82.46.3	5	120 / 135 / 150 / 165 (180 = Ø 11)	B	60°	-
05.174.82.47.3	05.574.82.86.3	4	120 / 135 / 150 / 165	B	210°	-
05.174.82.63.3	05.574.82.87.3	6	120 / 135 / 150 / 165 (180 = Ø 11 / 250 = Ø 14)	A	24°	-
05.174.82.67.3	05.574.83.01.3	5	120 / 135 / 150 / 165 (180 = Ø 11)	B	24°	-
05.174.82.75.3	05.574.83.08.3	5	120 / 135 / 150 / 165 (180 = Ø 11)	B	60°	-
05.174.83.04.3	05.574.82.88.3	6	120 / 135 / 150 / 165 (180 = Ø 11 / 250 = Ø 14)	A	210°	-
05.174.83.05.3	05.574.83.07.3	6	120 / 135 / 150 / 165 (180 = Ø 11 / 250 = Ø 14)	A	60°	-
05.174.83.06.3	05.574.82.68.3	5	120 / 135 / 150 / 165 (180 = Ø 11)	B	60°	-
05.174.88.07.1 / 08.1	05.574.88.01.1	4	150 / 165 / 180 (205 = Ø 9.5)	C	30°	43°
05.174.88.09.1 / 10.1	05.574.88.02.1	4	150 / 165 / 180 (205 = Ø 9.5)	C	30°	43°
05.174.88.12.1 / 13.1	05.574.88.19.1	3	148 / 165 / 182	D	60°	16°
05.174.88.14.1 / 15.1	05.574.88.10.1	4	150 / 165 / 180 (205 = Ø 9.5)	C	30°	43°
05.174.88.16.1 / 17.1	05.574.88.06.1	2	152 / 170	E	66°	31°
05.174.88.21.3 / 22.3	05.574.88.34.3	3	152 / 170 (210 = Ø 9.5)	F	210°	17°
05.174.88.51.3	05.574.88.22.3	4	120 / 135 / 150 / 165 (180 = Ø 11)	~ B	210°	17°
05.174.88.68.3 / 69.3	05.574.88.23.3	3	150 / 165 / 180	~ A	60°	-
05.174.88.70.3 / 71.3	05.574.88.24.3	4	150 / 165 / 180 (205 = Ø 9.5)	C	30°	43°
05.174.88.74.3 / 75.3	05.574.88.25.3	4	150 / 165 / 180 (205 = Ø 9.5)	C	30°	43°
05.174.88.81.3 / 82.3	05.174.88.27.3	3	150 / 165 / 180	F	215°	27°
05.174.88.83.3 / 84.3	05.574.88.28.3	3	150 / 165 / 180	E	66°	31°
05.174.88.87.3 / 88.3	05.574.88.39.3	4	150 / 165 / 180 (205 = Ø 9.5)	C	30°	30°
05.174.88.93.3 / 94.3	05.574.88.31.3	4	149 / 165 / 181 (205 = Ø 9.5)	D	235°	12°
05.174.88.95.3 / 96.3	05.574.88.32.3	4	149 / 165 / 181 (205 = Ø 9.5)	D	235°	12°
05.174.89.05.3	05.574.88.46.3	3	150 / 165 (180 = Ø 11)	G	180°	29°
05.174.89.12.3 / 13.3	05.574.89.05.3	4	149 / 165 / 181 (205 = Ø 9.5)	F	180°	26°

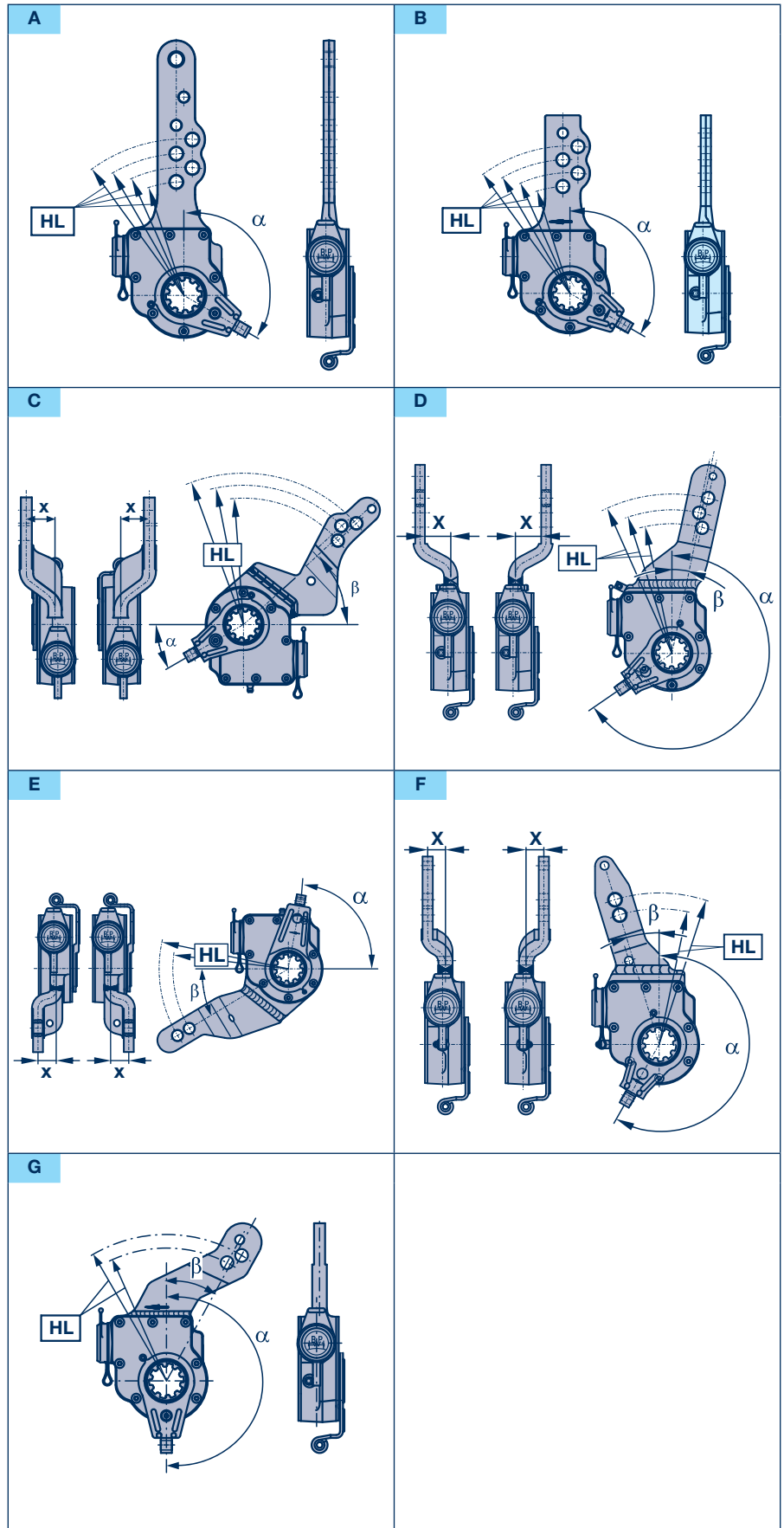
Further types upon request.

The slack adjuster assembly contains not only the slack adjusters but also the necessary assembly components!

Repair kits for BPW axles with drum brake 1

Automatic slack adjuster kits (AGS) 1.8

Crank value X	for axle type	Remark
-	H / K	AGS-2
-	H / K	AGS-2
-	H / K / N	AGS-2
-	H / K / N	AGS-2
-	H / K / N	AGS-2
-	H / K	AGS-2
-	Stummel / MB	AGS-0
-	H..HLL	hanging cyl. / AGS-0
-	H / K / N	AGS-2
-	H / K / N	AGS-2
-	H / K	AGS-2
-	H / K / N	AGS-2
-	H / K	AGS-2
-	H / K	AGS-2
44.5	H..LS	AGS-1
34	H..LS	AGS-1
27	N..L	AGS-1
26	H..LS	AGS-1
16	K..LS	AGS-1
20	K..ZL	ABS-0
-	H / K / N	AGS-2
9	H..HLL	AGS-0
34	H..LL	AGS-0
19	H..LL	AGS-0
9	N..LL	AGS-0
21	K..LL	AGS-0
36	NM..L	AGS-0
36	K..ZL	AGS-0
21	NM..L	AGS-0
-	N	AGS-2
21	NM..L	AGS-0



H
K
N

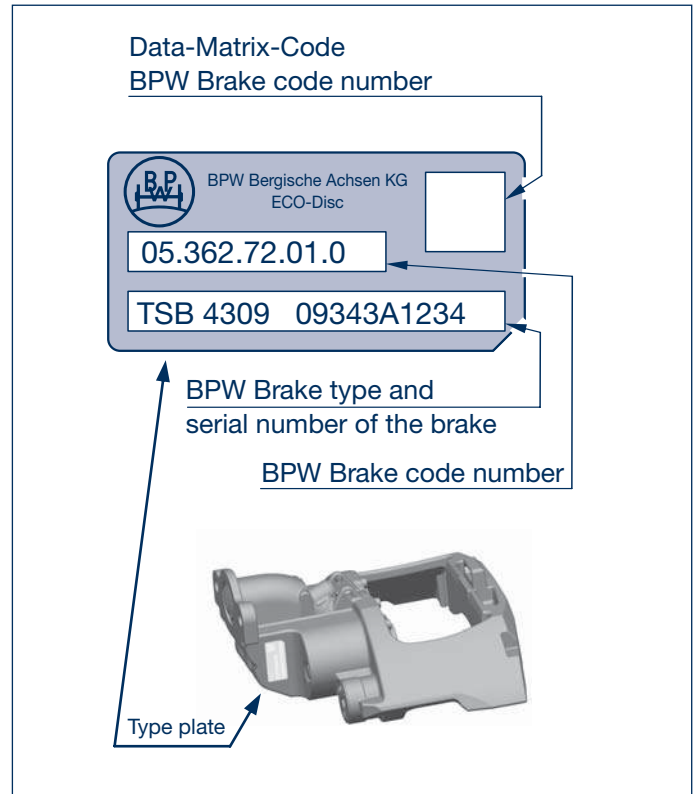
2 Repair kits for BPW axles with ECO Disc brake (TSB)

2.1 BPW ECO Disc Trailer disc brakes complete (BPW TSB)

Type plate

There is a manufacturer's nameplate fixed onto each brake calliper, on which are stamped the data necessary for the identification of the brake in question.

- ⊙ BPW Brake code number
- ⊙ Brake type + serial number
- ⊙ For replacement, brake callipers will only be supplied as a complete replacement brake calliper (**09.362**) with complete lining set, see table below

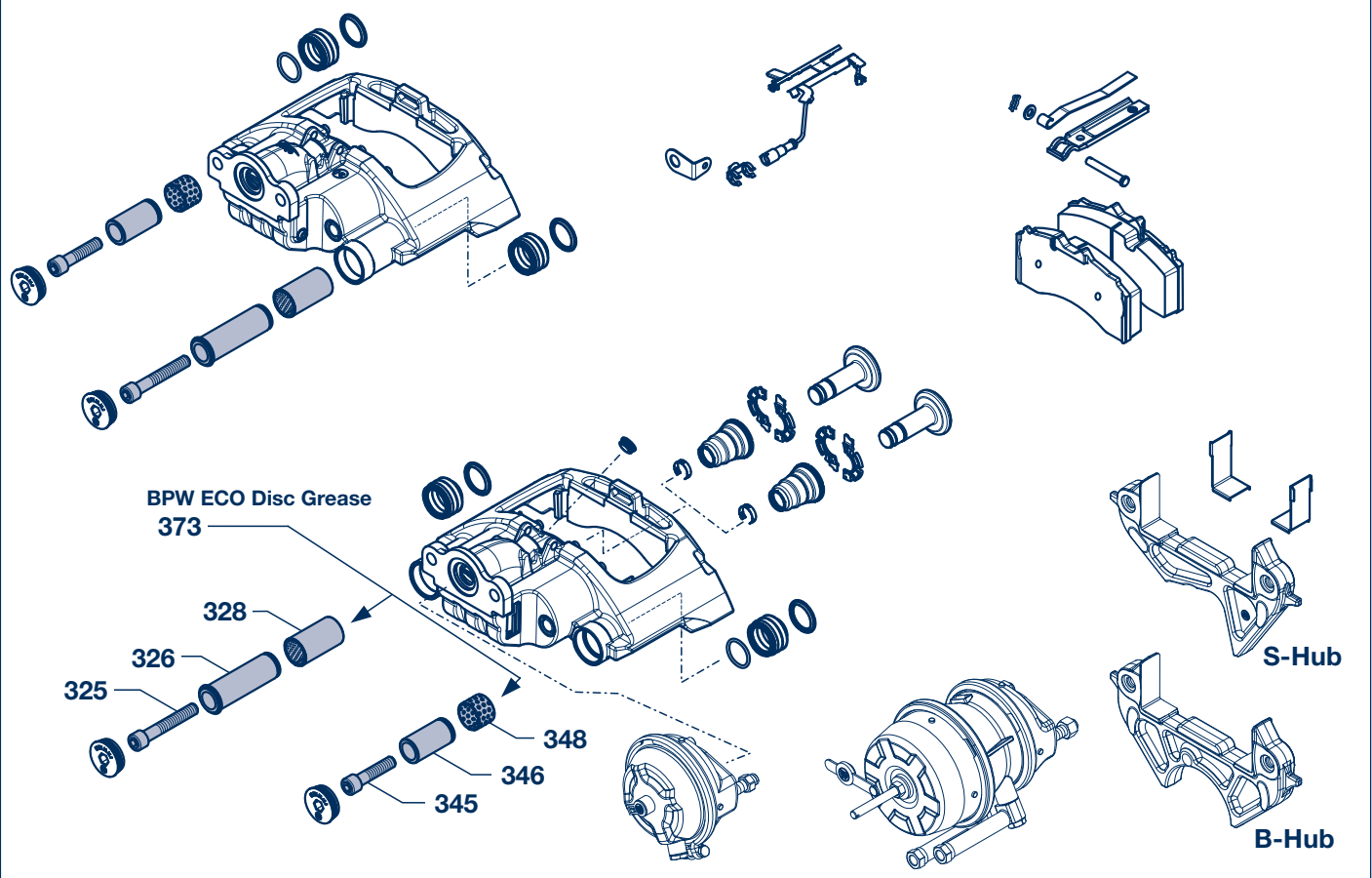


BPW code number on the brake calliper	Brake	Brake lining	BPW replacement brake calliper cpl. with brake pads → 7 / 2011	BPW replacement brake calliper cpl. with brake pads 8 / 2011 →
05.362.72.03.0	TSB 3709	BPW 8200	09.362.72.03.0 *	09.362.72.13.0
05.362.72.04.0			09.362.72.04.0 *	09.362.72.14.0
05.362.72.03.0		BPW 8101	09.362.72.03.1 *	09.362.72.13.1 *
05.362.72.04.0			09.362.72.04.1 *	09.362.72.14.1 *
05.362.72.01.0	TSB 4309	BPW 8200	09.362.72.01.0 *	09.362.72.11.0
05.362.72.02.0			09.362.72.02.0 *	09.362.72.12.0
05.362.72.01.0		BPW 8101	09.362.72.01.1 *	09.362.72.11.1 *
05.362.72.02.0			09.362.72.02.1 *	09.362.72.12.1 *
05.362.72.05.0	TSB 4312	BPW 8301	09.362.72.05.0 *	09.362.72.15.0
05.362.72.06.0			09.362.72.06.0 *	09.362.72.16.0
			* = No longer available, replaced by the new version (8 / 2011 →)	

Repair kits for BPW axles with ECO Disc brake (TSB) 2

Guide pine (BPW TSB) 2.2

Guide pine **BPW ECO Disc TSB 3709 / 4309 / 4312**



				Axle type Brake					
				SK..	TSB 3709	SH..	TSB 4309	SH..	TSB 4312
				----	616----	----	617----	----	618----
Item	Description	Quantity / Pieces	Dimension / Remark	BPW Code no.					
323	Repair kit guide pins, item 325, 326, 328, 345, 346, 348, 373		for 1 axle side	09.801.07.61.0					
325	Cylinder head bolt	1	M 16 x 1.5 x 100 - 10.9	02.5016.70.16					
326	Guide pin, long (Fixed bearing)	1	Ø 17 / 26 / 37 x 123	05.001.00.41.0					
328	Guide bush (Fixed bearing)	1	Ø 37 / 41 x 73	03.112.33.13.0					
345	Cylinder head bolt	1	M 16 x 1.5 x 70 - 10.9	02.5015.78.16					
346	Guide pin, short (Floating bearing)	1	Ø 17 / 26 / 36 x 70	03.001.00.35.0					
348	Guide bush (Floating bearing)	1	Ø 37 / 41 x 30	03.112.33.14.0					
373	BPW ECO Disc Grease	1	25 g	02.1040.60.00					

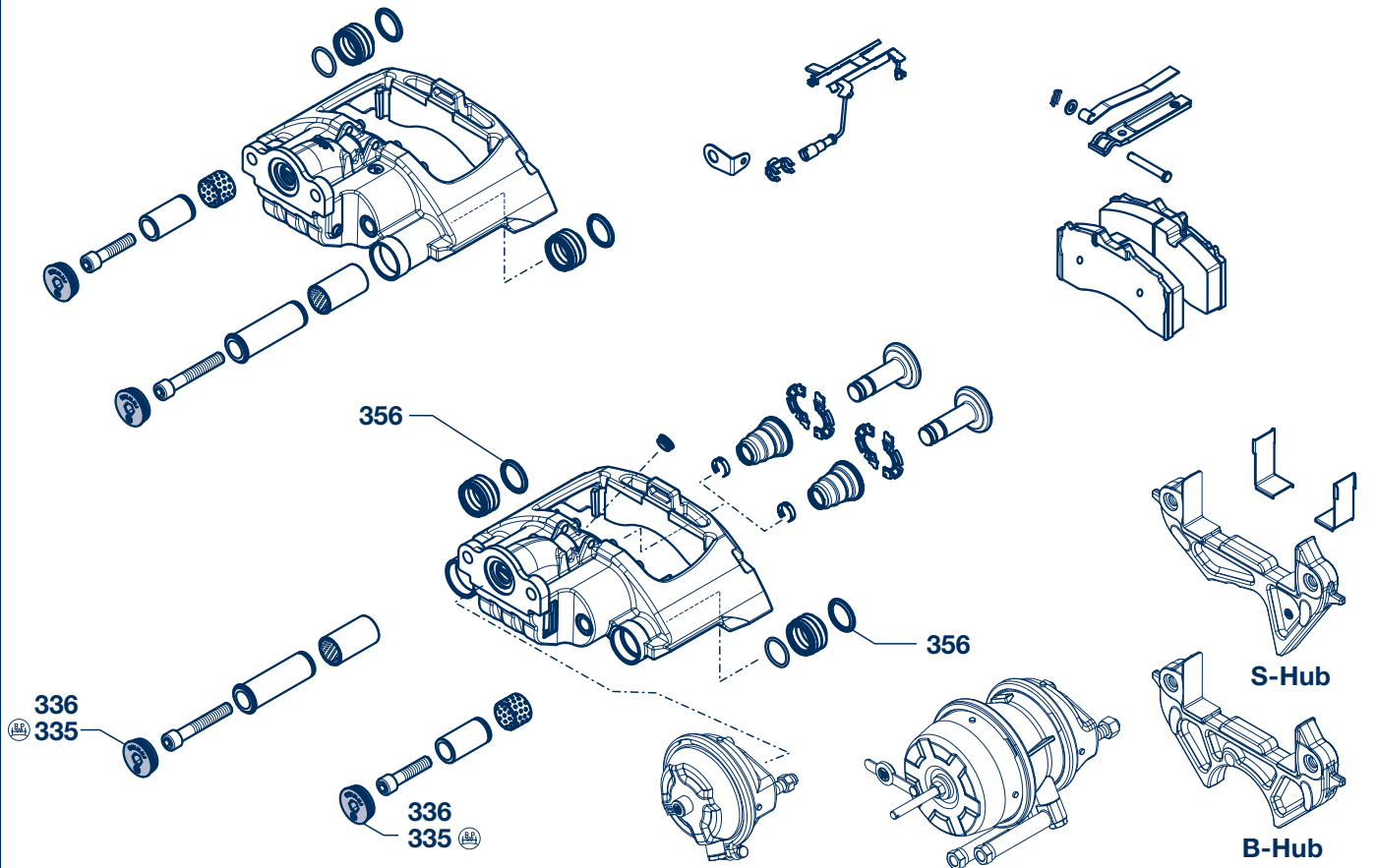
SH
SK

2 Repair kits for BPW axles with ECO Disc brake (TSB)

2.3 Sealing cap (BPW TSB)

Sealing cap

BPW ECO Disc TSB 3709 / 4309 / 4312



Axle type		Brake			
SK..	TSB 3709	SH..	TSB 4309	SH..	TSB 4312
	---.616---		---.617---		---.618---

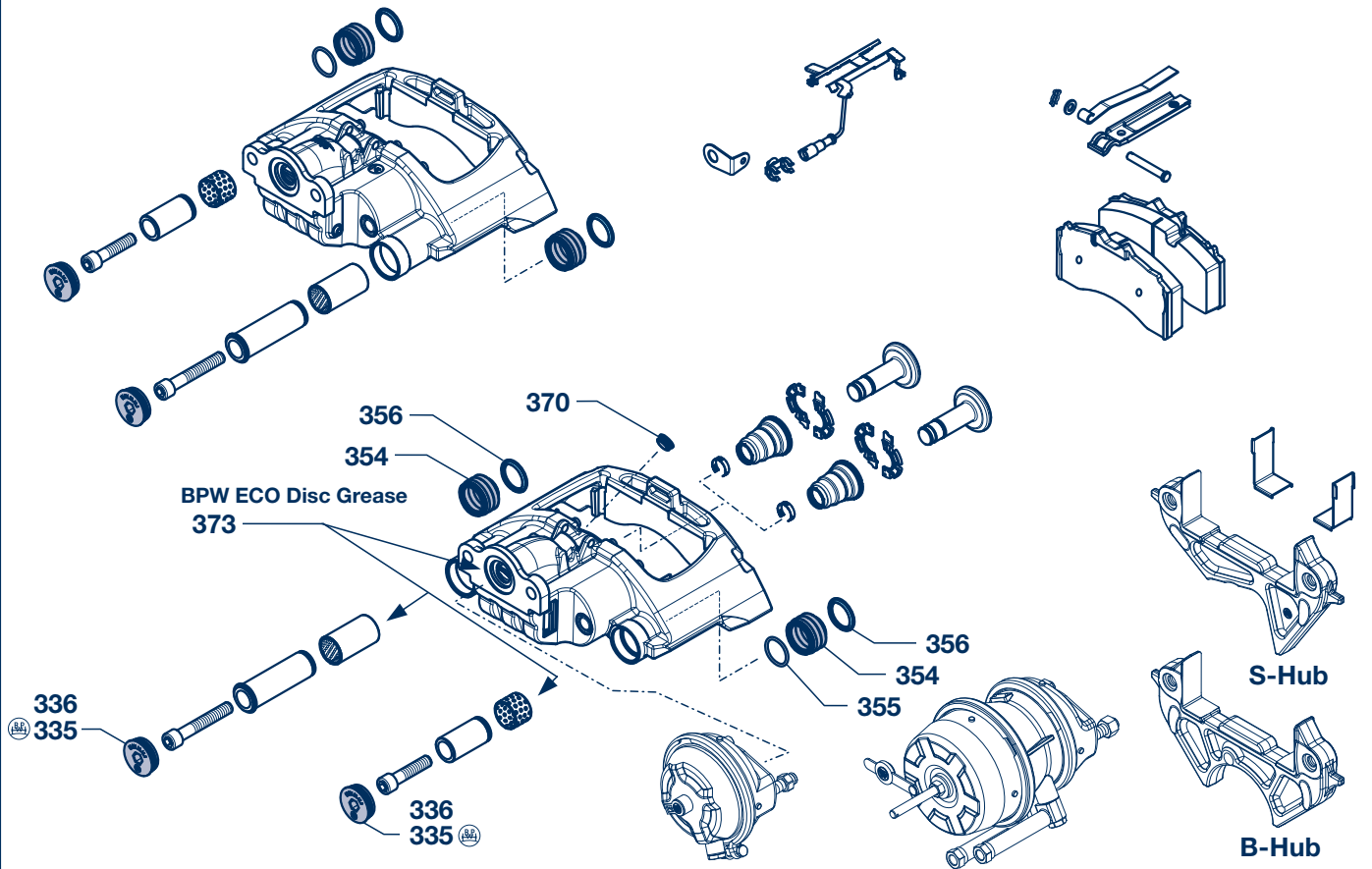
Item	Description	Quantity / Pieces	Dimension / Remark	BPW Code no.
334	Repair kit sealing cap, item 335 + 356		for 1 axle side	09.801.07.87.0
335	Sealing cap, incl. item 336	2	M 49 x 1.5	05.001.00.45.0
336	'O'-Ring	2	Ø 45 x 2	02.5679.97.40
356	Ring	2	Ø 38 / 48 x 5	03.310.11.19.0

Repair kits for BPW axles with ECO Disc brake (TSB) 2

Seal for guide pins (BPW TSB) 2.4

Seal for guide pins

BPW ECO Disc TSB 3709 / 4309 / 4312

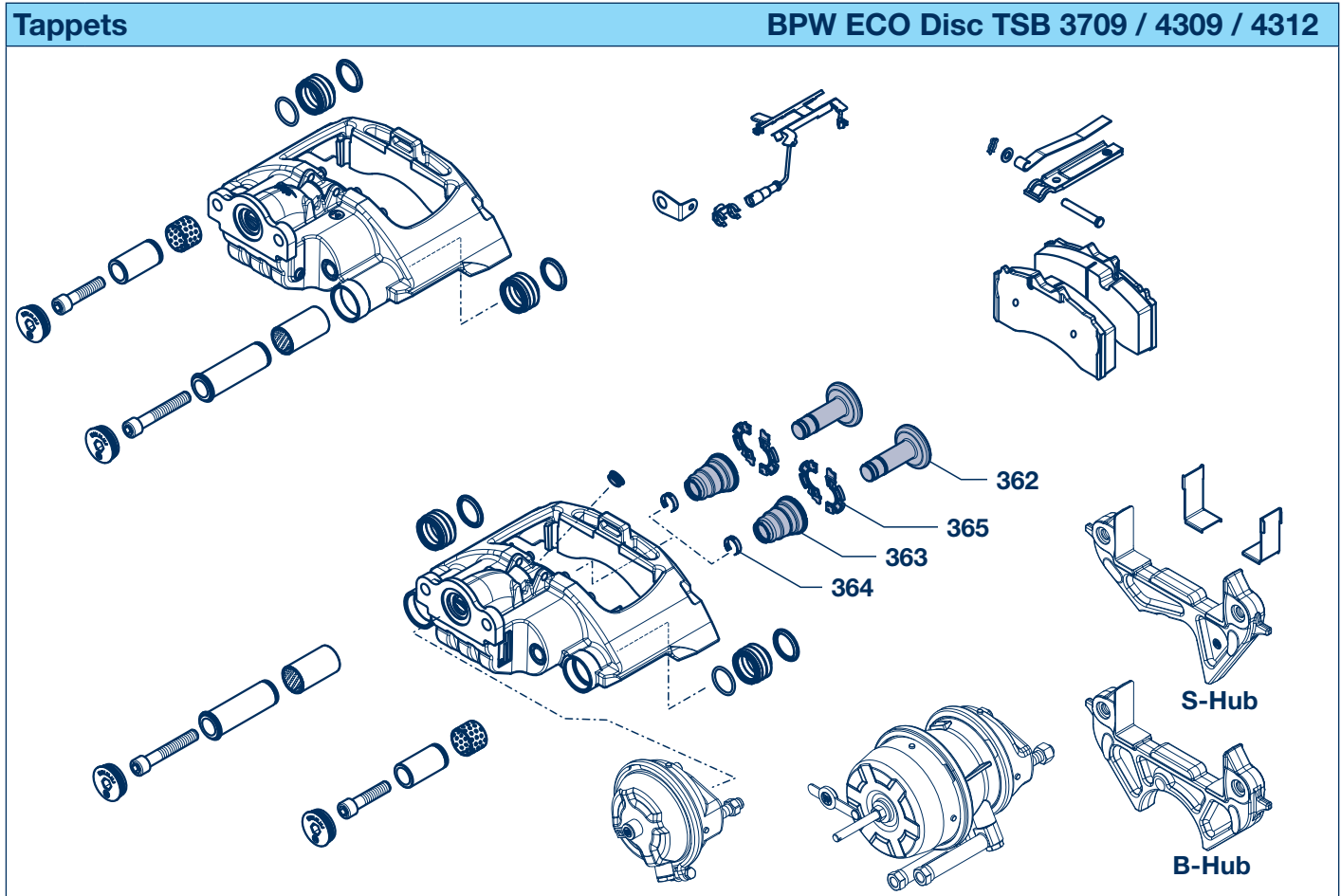


				Axle type Brake					
				SK..	TSB 3709	SH..	TSB 4309	SH..	TSB 4312
				----616.---	----617.---	----618.---
Item	Description	Quantity / Pieces	Dimension / Remark	BPW Code no.					
352	Repair kit seal for guide pins, item 335, 354, 355, 356, 370, 373		for 1 axle side	09.801.07.62.0					
335	Sealing cap, incl. item 336	2	M 49 x 1.5	05.001.00.45.0					
336	'O'-Ring	2	Ø 45 x 2	02.5679.97.40					
354	Bellow	2	Ø 52 x 34	05.130.08.27.0					
355	'O'-Ring	1	Ø 36 x 3.5	02.5679.98.40					
356	Ring	2	Ø 38 / 48 x 5	03.310.11.19.0					
370	Plug	1	Ø 24 x 9	02.3704.69.00					
373	BPW ECO Disc Grease	1	25 g	02.1040.60.00					

SH
SK

2 Repair kits for BPW axles with ECO Disc brake (TSB)

2.5 Tappets (BPW TSB)



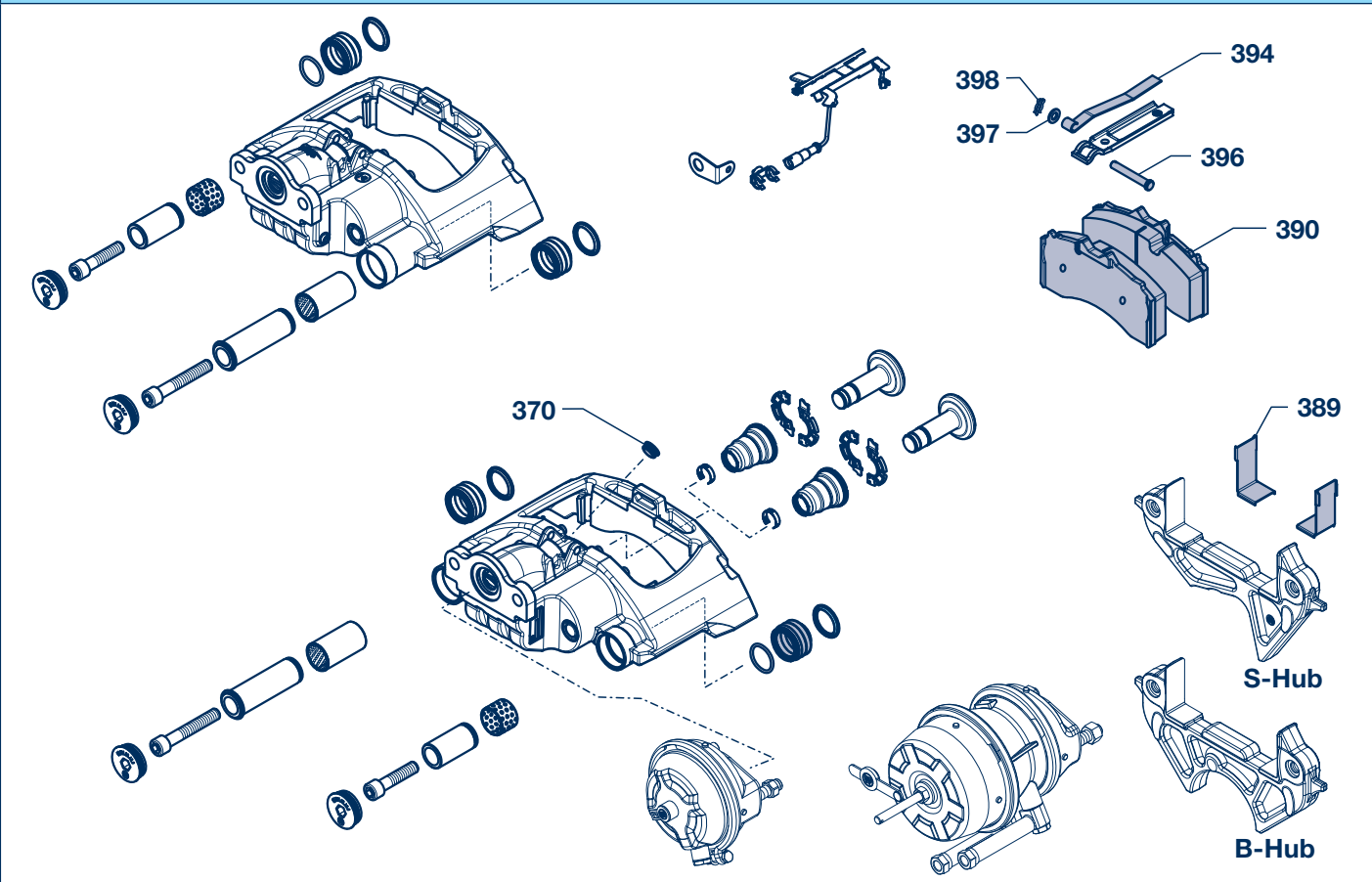
				Axle type Brake					
				SK..	TSB 3709	SH..	TSB 4309	SH..	TSB 4312
				----616.---	----617.---	----618.---
Item	Description	Quantity / Pieces	Dimension / Remark	BPW Code no.					
360	Repair kit tappets, item 362 - 365		for 1 axle side	09.801.07.63.1					
362	Tappet	2	Ø 24 / 27 / 84.5 x 94.5	03.127.18.03.0					
363	Bellow	2	Ø 26 / 55 x 17	05.130.07.07.0					
364	Holding clamp	2	Ø 25 x 7	03.001.57.01.0					
365	Dirt seal	2	Ø 55 x 1.5	03.121.30.15.0					

Repair kits for BPW axles with ECO Disc brake (TSB) 2

Brake lining kits (BPW TSB) 2.6

Brake lining kits

BPW ECO Disc TSB 3709 / 4309 / 4312



				Axle type Brake		
				SK.. TSB 3709 ---.616---	SH.. TSB 4309 ---.617---	SH.. TSB 4312 ---.618---
Item	Description	Quantity / Pieces	Dimension / Remark	BPW Code no.		
388	Repair kit brake lining, item 370, 389, 390, 394, 396 - 398		for 1 axle (BPW 8200) (BPW 8301)	09.801.07.94.0	09.801.07.96.0	09.801.07.98.0
370	Plug	2		02.3704.69.00		
389	Wearing plate	4		03.163.04.02.1	03.163.04.03.1	03.163.04.04.1
390	Brake lining *	4	(BPW 8200) (BPW 8301)	05.092.90.12.1 *	05.092.90.13.1 *	- 05.092.90.20.1 *
394	Clamping spring	2		03.352.00.08.0		
396	Bolt	2	Ø 8 / 10 / 14 x 75	03.084.32.33.0		
397	Washer	2	Ø 10.5 galv.	02.5404.10.04		
398	Lock	2		02.3301.31.00		

* not loose available - see repair kit brake lining (item 388)

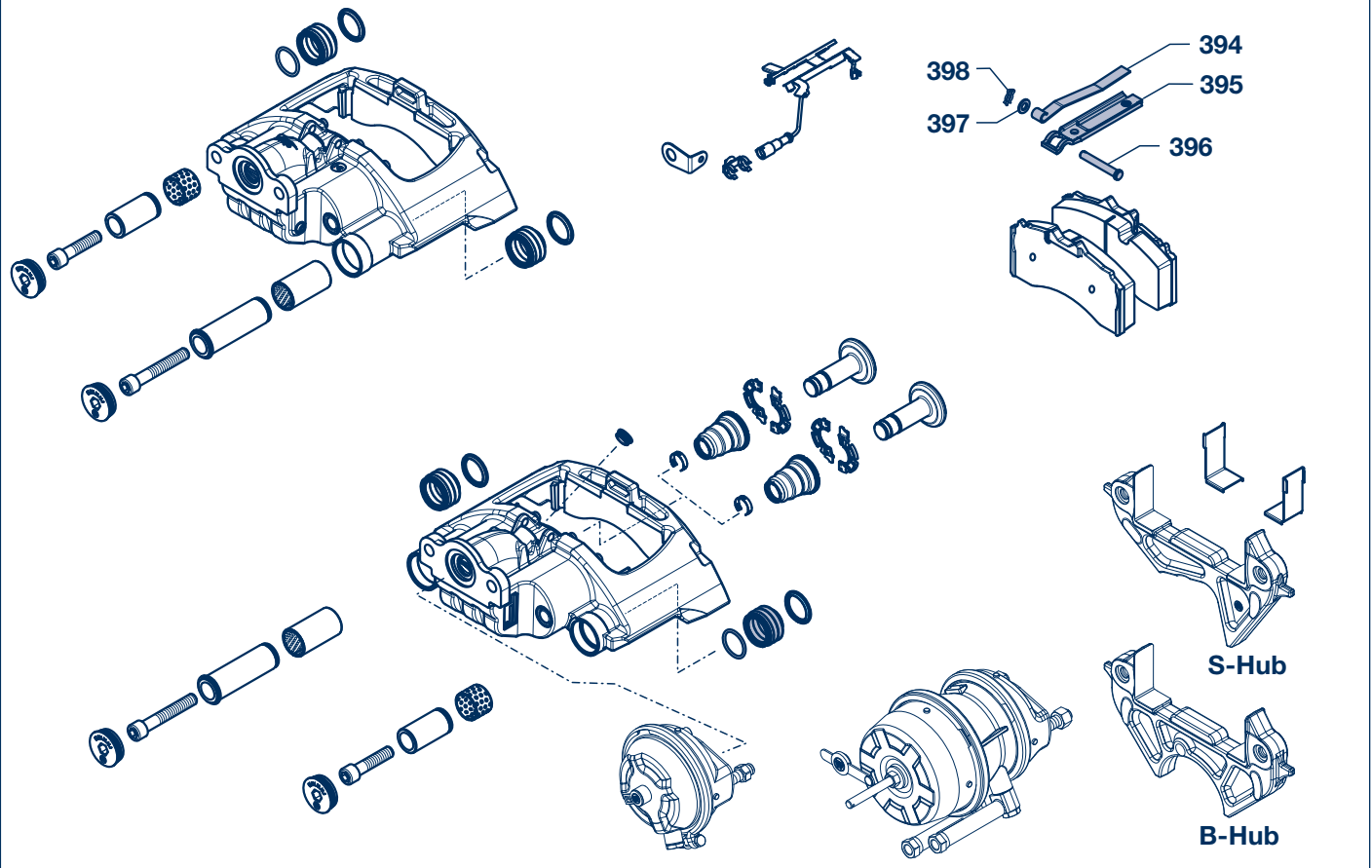
SH
SK

2 Repair kits for BPW axles with ECO Disc brake (TSB)

2.7 Retaining clip (BPW TSB)

Retaining clip

BPW ECO Disc TSB 3709 / 4309 / 4312



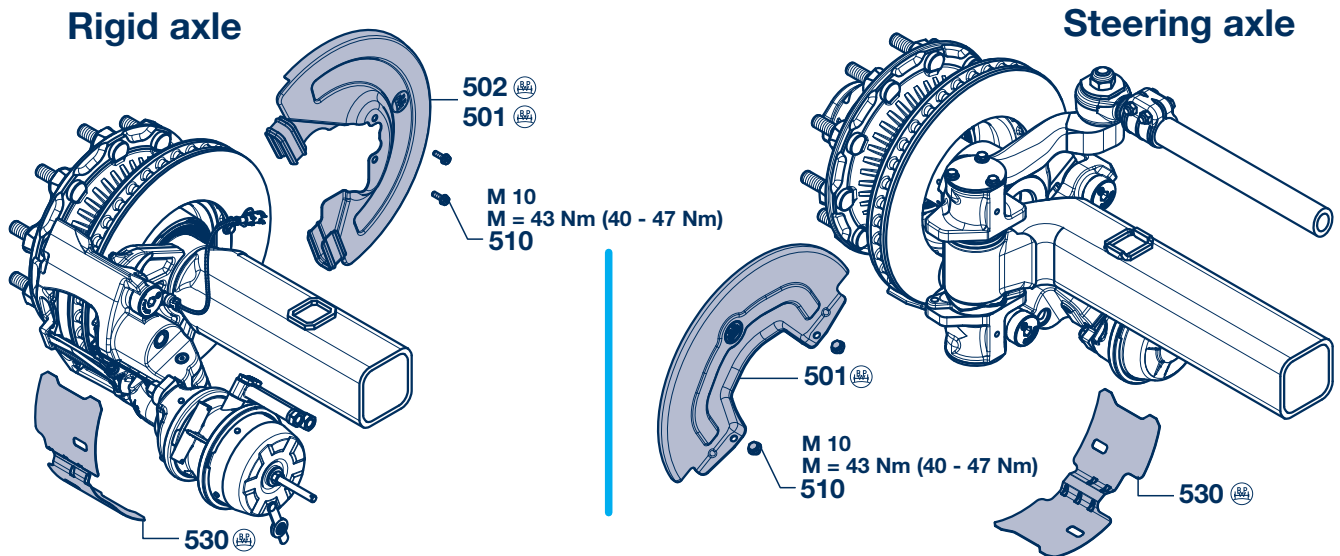
Axle type		Brake			
SK..	TSB 3709	SH..	TSB 4309	SH..	TSB 4312
	---.616---		---.617---		---.618---

Item	Description	Quantity / Pieces	Dimension / Remark	BPW Code no.
393	Repair kit retaining clip, item 394 - 398		for 1 axle	09.801.07.68.1
394	Clamping spring	2		03.352.00.08.1
395	Retaining clip	2		03.001.00.54.0
396	Bolt	2	Ø 8 / 10 / 14 x 75	03.084.32.33.0
397	Washer	2	Ø 10.5 galv.	02.5404.10.04
398	Lock	2		02.3301.31.00

Repair kits for BPW axles with ECO Disc brake (TSB) 2

Brake disc covers (BPW TSB) 2.8

Brake disc covers **BPW ECO Disc TSB 3709 / 4309 / 4312**



Item	Description	Dimension	BPW Code no.		
			TSB 3709 ---.616.---	TSB 4309 ---.617.---	TSB 4312 ---.618.---
			□ 120	□ 120	□ 120 / □ 150

Rigid axles					
500	Supplementary installation kit cover plates, item 501 - 510	for 1 axle	09.801.07.51.0	09.801.07.52.0	09.801.07.53.0
501	Disc cover		03.010.71.59.0	03.010.71.61.0	03.010.71.57.0
502	Disc cover		03.010.71.60.0	03.010.71.62.0	03.010.71.58.0
510	Locking screw	M 10 x 15	02.5071.22.00	02.5071.22.00	02.5071.22.00
513	Seal	Ø 7 / 10 / 13	-	02.5681.78.00	-

Steering axles					
500	Supplementary installation kit cover plates, item 501 - 510	for 1 axle	05.801.50.48.0	05.801.50.47.0	09.801.07.53.0
501	Disc cover		03.010.71.64.0	03.010.71.63.0	03.010.71.57.0
502	Disc cover		-	-	03.010.71.58.0
510	Locking screw	M 10 x 15	02.5071.22.00	02.5071.22.00	02.5071.22.00

Brake pad slot protectors					
530	Brake pad protector *	for 1 axle side	03.010.95.32.0		

* is mounted under the pad retaining clip without any additional attachment parts

SH
SK

3 Repair kits for BPW axles with KNORR-Disc brake

3.1 Brake disc covers (KNORR)

SH
SK

Rigid BPW axles with KNORR-Disc brakes	
Axial	Tangential
Steering BPW axles with KNORR-Disc brakes	
Axial	Tangential

Repair kits for BPW axles with KNORR-Disc brake **3**

Brake disc covers (KNORR) **3.1**

Brake disc covers (KNORR-Disc brake)										
KNORR-Disc brake					SB 3745		SB 4309		SB 4345	
					Brake connection					
					Axial		-		-	
					Tangential		-		-	
BPW Code no.										
Axle type	Axle load	ET	Axle beam	Disc covers cpl. (Retrofit kit), item 500 (item 501 - 510)	Disc covers, item 501 / 502					
Rigid BPW axles										
SKHB.. SKHS.. SKHZ..	9t 9 - 10t 9 - 10t	0 / 120	□ 120	09.801.06.16.0	03.010.91.53.0	⊙		Retrofit with offset 120 since 3/2001		
SKH..	9t	0	□ 120	09.801.06.38.0	03.010.91.74.0		⊙			
SKH..	10t	0	□ 120	09.801.06.49.0	03.010.91.79.0 03.010.91.80.0		⊙			
SKHB..	9t	120	□ 120	09.801.06.39.0 09.801.07.30.0 *	03.010.91.75.0 03.010.71.05.0 *		⊙ ⊙			
SH..	9 - 10t	0	□ 120	09.801.06.40.0	03.010.91.76.0			⊙		⊙
SHB..	9t	120	□ 120	09.801.06.41.0 09.801.07.31.0 *	03.010.91.77.0 03.010.71.06.0 *			⊙ ⊙		
SH..	9 - 10t	0	□ 120	09.801.06.17.1	03.010.91.62.0				⊙	
SH..	12t	0	□ 150	09.801.06.18.1	03.010.91.63.0				⊙	
SH..	12t	0	□ 150	09.801.06.42.0	03.010.91.78.0					⊙
Hexagon bolts M 10 x 15 (item 510)					02.5071.22.00	⊙	⊙	⊙	⊙	⊙
BPW Steering axles										
SKH..LL SKM..LL	9t 9 - 10t	0	□ 120 ■ 120	09.801.06.19.0	03.010.91.58.0 L 03.010.91.59.0 R	⊙		Threaded holes necessary in the steering housing (see drawing)		
SKH..LL SKM..LL	9t 9 - 10t	0	□ 120 ■ 120	09.801.06.38.0	03.010.91.74.0		⊙			
SKHB..LL	9t	120	□ 120	09.801.06.39.0 09.801.07.30.0 *	03.010.91.75.0 03.010.71.05.0 *		⊙ ⊙			
S..LL	9 - 10t	0	□ 120	09.801.06.40.0	03.010.91.76.0			⊙		
SHB..LL	9t	120	□ 120	09.801.06.41.0 09.801.07.31.0 *	03.010.91.77.0 03.010.71.06.0 *			⊙ ⊙		
S..LL	9 - 10t	0	□ 120	09.801.06.40.0	03.010.91.76.0					⊙
S..LL	9 - 10t	0	□ 120	05.801.51.52.0	03.010.91.60.0 L 03.010.91.61.0 R				⊙	
SH..LL	9 - 12t	0	□ 150	09.801.06.42.0	03.010.91.78.0					⊙
Hexagon bolts M 10 x 15 (item 510)					02.5071.22.00	⊙	⊙	⊙	●	⊙
* = ECO Plus 2										

SH

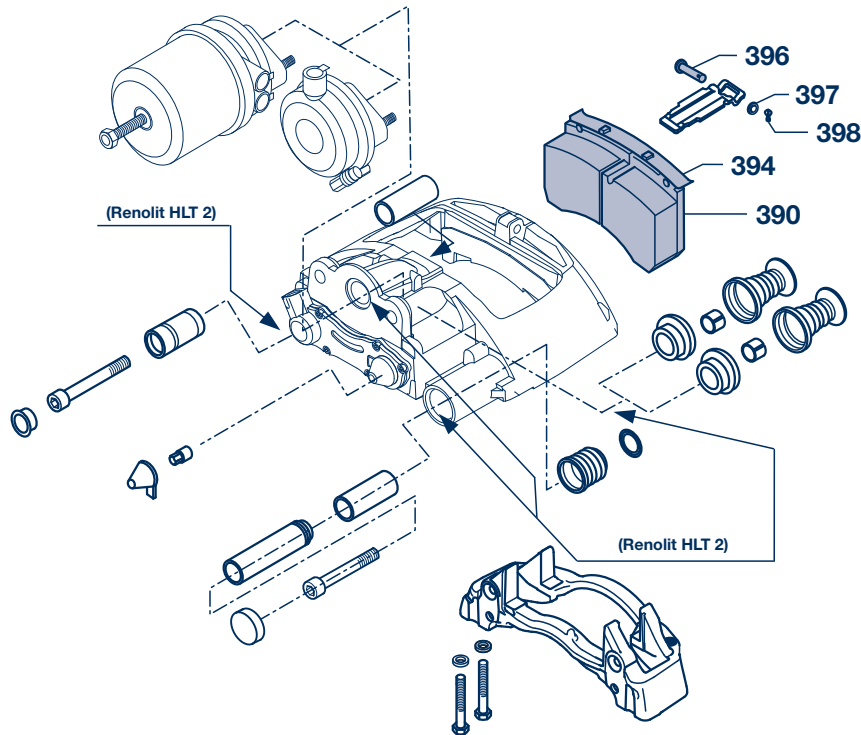
SK

3 Repair kits for BPW axles with KNORR-Disc brake

3.1 Brake lining kits (KNORR)

Brake lining kits

BPW SB 3745 / 4309 / 4345



Axle type Brake

SK..	SB 3745	SH..	SB 4309	SH..	SB 4345
---	612---	---	613---	---	614---
---	610---	---	---	---	609---

Item	Description	Quantity / Pieces	Dimension / Remark	BPW Code no.		
388	Repair kit brake lining, item 390 - 398		for 1 axle	09.801.08.15.0	09.801.08.16.0	09.801.08.17.0
390	Brake lining *	4		05.092.90.22.0 *	05.092.90.23.0 *	05.092.90.24.0 *
394	Clamping spring	4			03.352.00.07.0	
396	Bolt	2	Ø 10 / 16 x 48 / 52.5		03.084.33.16.0	
397	Washer	2	Ø 10.5 galv.		02.5404.10.04	
398	Lock	2			02.3301.31.00	

* Not available as individual items - see repair kit brake lining (item 388)

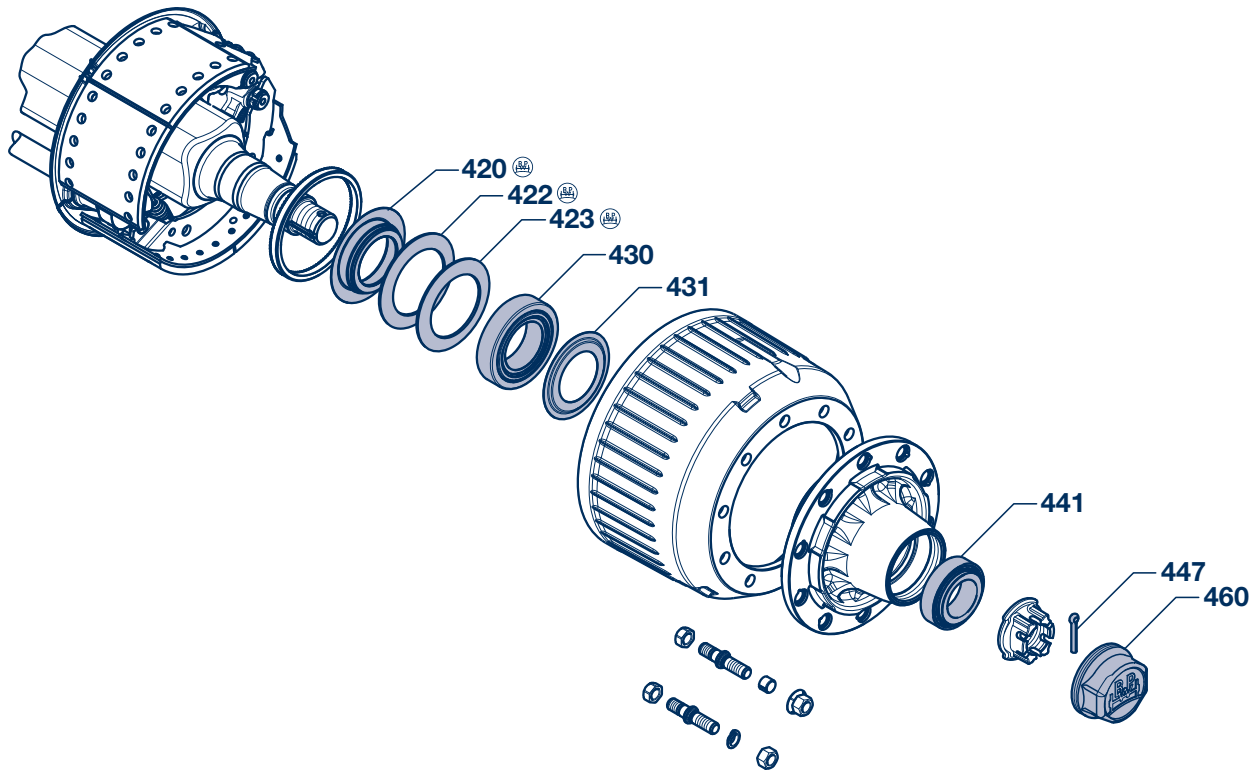
Notes

4 BPW Repair kits hub bearings

4.1 Conventional bearing

Roller bearings

Conventional bearing



			Axle type	Brake	Year of manuf.			
			H.. / R.. 6 - 9t K.. 6 - 9t	all all	→ 12 / 1994 → 12 / 1994	H.. / R.. 10 - 12t K.. 10 - 12t	all all	→ 12 / 1994 → 12 / 1994
Item	Description	Quantity / Pieces	BPW Code no.	Dimension				
418	Repair kit roller bearing, with thrust washer and hub cap, item 420 - 460		09.801.02.17.0	for 1 axle side		09.801.02.18.0	for 1 axle side	
419	Repair kit roller bearing, without thrust washer and hub cap, item 422 - 447		09.801.02.24.0	for 1 axle side		09.801.02.98.0	for 1 axle side	
420	Thrust washer	1	05.370.06.48.0	Ø 80 / 104 / 115 / 142 x 22		05.370.07.43.0	Ø 96 / 120 / 136 / 166 x 22	
422	Ring (Nylon)	1	03.310.97.31.0	Ø 110 / 141 x 2.5		03.310.98.21.0	Ø 128 / 165 x 2.5	
423	Ring (Nylon)	1	03.310.97.32.0	Ø 104 / 136 x 2.5		03.310.97.30.0	Ø 120 / 157 x 2.5	
430	Roller bearing	1	02.6410.24.00	33116		02.6410.23.00	33118	
431	Dust cover	1	03.010.04.15.0	Ø 84 / 129 x 5.5		03.010.05.22.0	Ø 94 / 149 x 5.5	
441	Roller bearing	1	02.6410.25.00	32310		02.6410.22.00	33213	
447	Split pin	1	02.6201.82.01	8 x 50 / 1234		02.6201.84.01	8 x 63 / 1234	
460	Hub cap	1	03.212.23.09.0	M 115 x 2		03.212.24.07.0	M 125 x 2	

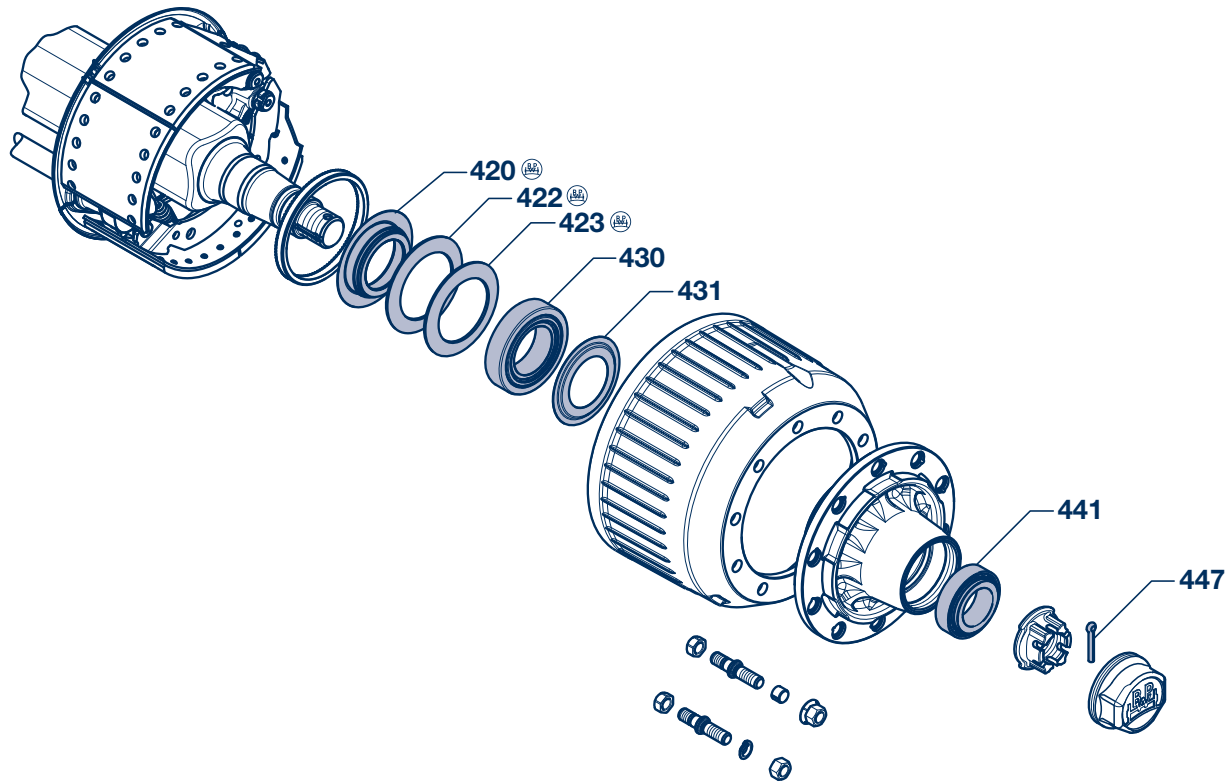
Grease filling and bearing adjustment see page 66.

BPW Repair kits hub bearings 4

Conventional bearing 4.1

Roller bearings

Conventional bearing



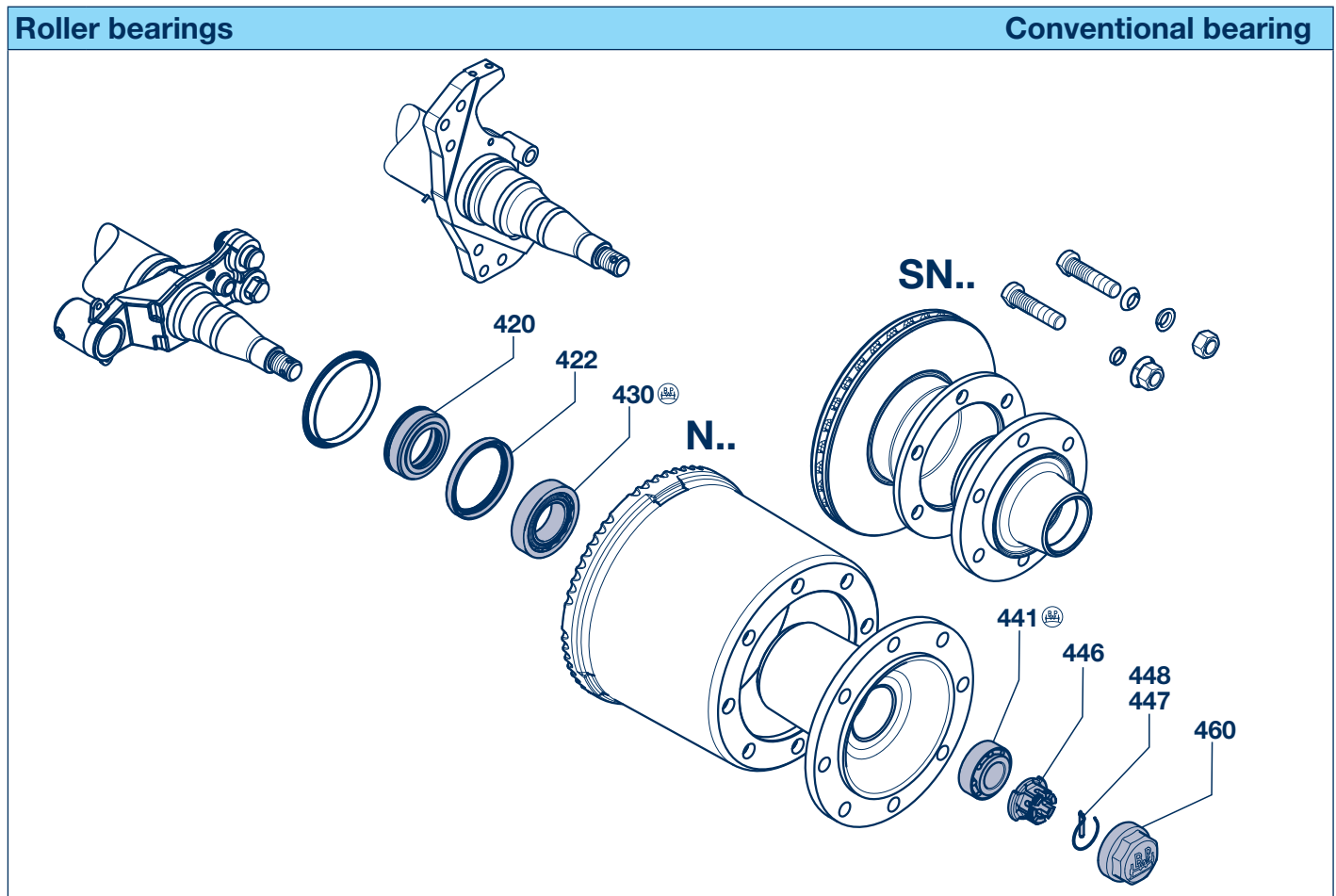
			Axle type	Brake	Year of manuf.
			H.. 14t	all	-> 12 / 1994
Item	Description	Quantity / Pieces	BPW Code no.	Dimension	
418	Repair kit roller bearing, without hub cap, item 420 - 447		09.801.07.12.0	for 1 axle side	
420	Thrust washer	1	05.370.07.20.0		
422	Ring (Nylon)	1	03.310.38.21.0	Ø 130 / 186 x 4	
423	Ring (Nylon)	1	03.310.38.20.0	Ø 124 / 181 x 4	
430	Roller bearing	1	02.6410.28.00	32219	
431	Dust cover	1	03.010.05.21.0	Ø 99 / 169 x 8.5	
441	Roller bearing	1	02.6410.29.00	33215	
447	Split pin	1	02.6202.03.01	10 x 71 / 1234	

Grease filling and bearing adjustment see page 66.

H
K
N

4 BPW Repair kits hub bearings

4.1 Conventional bearing



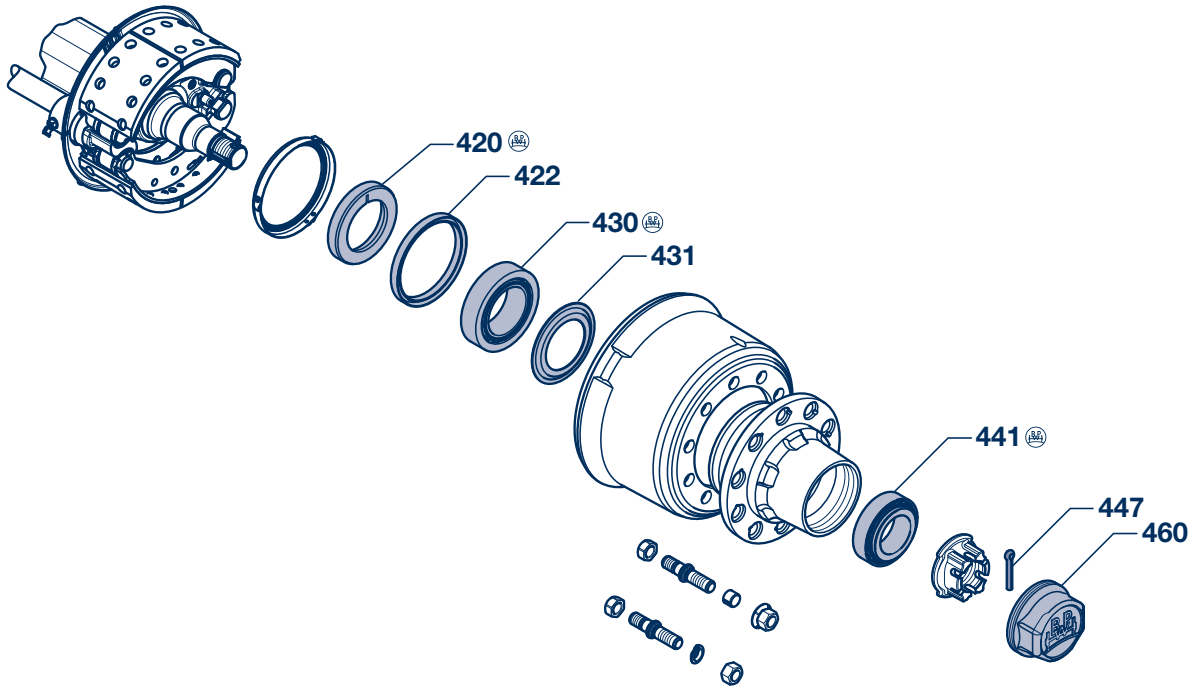
			Axle type	Brake
			N.. 4 - 5.5t	SN 3010 BPW 95
			SN.. 5.5t	SB 3307 / 3308
Item	Description	Quantity / Pieces	BPW Code no.	Dimension
418	Repair kit roller bearing, with thrust washer and hub cap, item 420 - 460		09.801.07.86.0	for 1 axle side
420	Thrust washer	1	03.370.06.53.0	Ø 62 / 78 / 100 x 24
422	Oil seal	1	02.5664.51.00	Ø 100 / 120 x 12
430	Roller bearing	1	02.6405.60.00	32212
441	Roller bearing	1	02.6407.40.00	33208
446	Axle nut	1	03.262.15.06.0	M 30 x 2 / SW 46 / 36
447	Bolt	1	03.084.71.19.0	Ø 6.2 x 38
448	Locking ring	1	05.188.03.12.0	Ø 41 x 2
460	Hub cap	1	03.212.22.04.0	M 84 x 2 / H 49 / SW 70

BPW Repair kits hub bearings 4

Conventional bearing 4.1

Roller bearings

Conventional bearing



			Axle type	Brake	Year of manuf.	
			N.. 6 - 9t	all	→ 12 / 1994	N.. 10 - 12t
						all → 12 / 1994
Item	Description	Quantity / Pieces	BPW Code no.	Dimension		
418	Repair kit roller bearing, with thrust washer and hub cap, item 420 - 460		09.801.02.19.0	for 1 axle side		09.801.02.20.0 for 1 axle side
420	Thrust washer	1	03.370.07.45.0	Ø 86 / 125 x 22		03.370.07.44.0 Ø 96 / 145 x 22
422	Oil seal	1	02.5664.26.57	Ø 125 / 143 x 13 / 11		02.5664.46.57 Ø 145 / 167 x 13
430	Roller bearing	1	02.6410.24.00	33116		02.6410.23.00 33118
431	Dust cover	1	03.010.04.15.0	Ø 84 / 129 x 5.5		03.010.05.22.0 Ø 94 / 149 x 5.5
441	Roller bearing	1	02.6410.25.00	32310		02.6410.22.00 33213
447	Split pin	1	02.6201.82.01	8 x 50 / 1234		02.6201.84.01 8 x 63 / 1234
460	Hub cap	1	03.212.23.09.0	M 115 x 2		03.212.24.07.0 M 125 x 2

Grease filling and bearing adjustment see page 66.

N

4 BPW Repair kits hub bearings

4.2 ECO / ECO MAXX hub bearing unit

H
SH
K
SK
N

Roller bearings

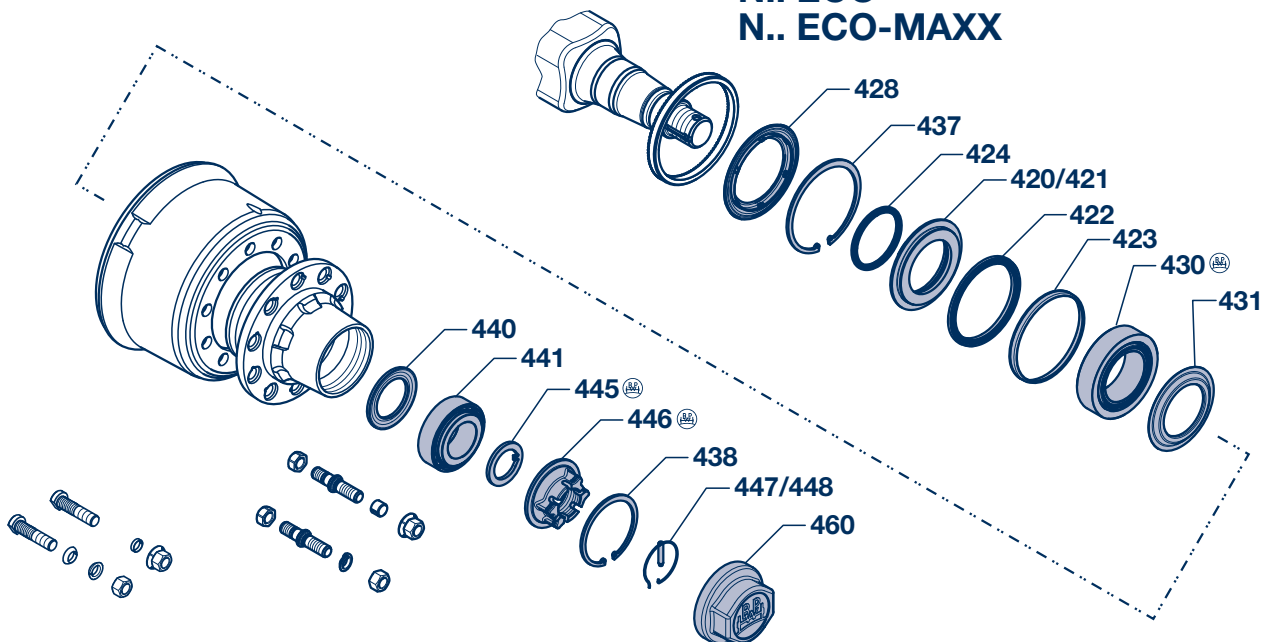
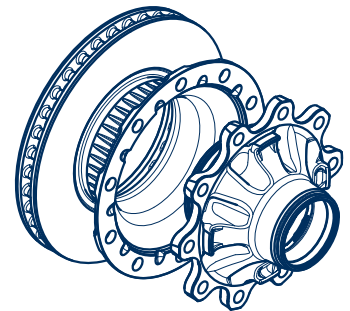
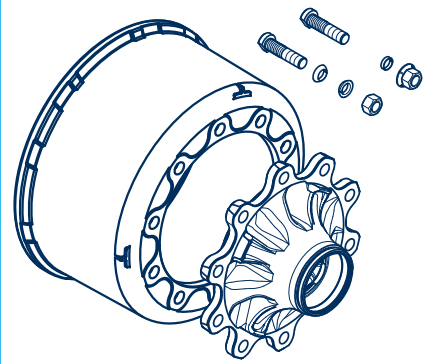
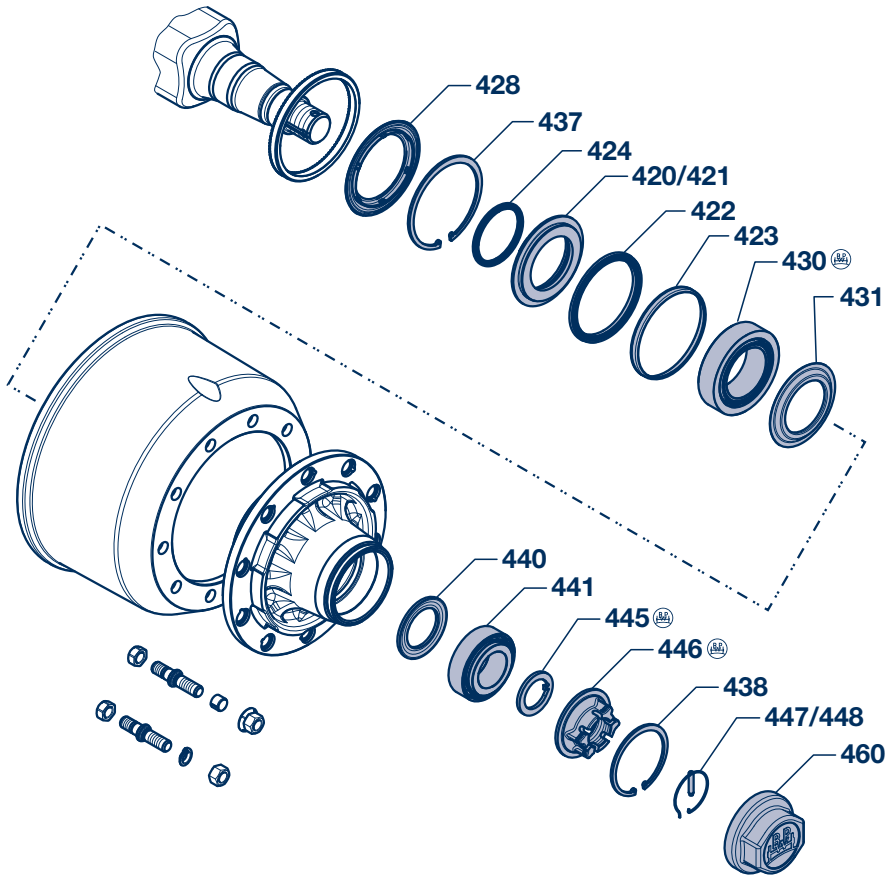
ECO / ECO MAXX hub bearing unit

H.. / K.. ECO
K.. ECO-MAXX

H.. ECO-MAXX

SH.. / SK.. ECO MAXX

N.. ECO
N.. ECO-MAXX



BPW Repair kits hub bearings 4

ECO / ECO MAXX hub bearing unit 4.2

Roller bearings			ECO / ECO MAXX hub bearing unit			
			Axle type	Brake	Year of manuf.	
			H.. / K.. / N.. SH.. / SK.. ECO / ECO MAXX 6.5 - 9t	all	1 / 1995 →	
					H.. / K.. / N.. SH.. / SK.. ECO / ECO MAXX 10 - 12t	all 1 / 1995 →
Item	Description	Quantity / Pieces	BPW Code no.	Dimension		
418	Repair kit roller bearing, with axle nut and hub cap, item 420, 423, 428 - 431, 437 - 460		09.801.02.33.0	for 1 axle side		
				09.801.02.34.0 *	M 135 x 2	
				09.801.07.21.0 *	M 136 x 2.5 for 1 axle side	
419	Repair kit roller bearing, without axle nut and hub cap, item 420, 423, 430, 431, 441 - 445		09.801.02.72.0	for 1 axle side		
				09.801.06.89.0	for 1 axle side	
420	Thrust washer cpl., item 421, 422, 424	1	05.370.07.67.0	05.370.07.65.0		
421	Thrust washer	1	03.370.07.60.0	Ø 86 / 115 / 139 x 22	03.370.07.62.0	Ø 96 / 135 / 159 x 22
422	Oil seal	1	02.5664.57.00	137-115-10.5	02.5664.58.00	157-136-8
423	Ring	1	02.5683.62.00	Ø 131 / 140 x 12	02.5683.63.00	Ø 151 / 160 x 12
424	'O'-Ring	1	02.5677.90.40	Ø 90 x 3	02.5678.00.00	Ø 100 x 3
428	Dirt seal	1	02.5681.98.00	Ø 103 / 147 x 15	03.120.48.13.0	Ø 133 / 168 x 15
430	Roller bearing	1	02.6410.24.00	33116	02.6410.23.00	33118
431	Dust cover	1	03.010.93.33.0	Ø 84 / 129 x 8.5	03.010.93.34.0	Ø 94 / 149 x 8.5
437	Circlip	1	02.5606.40.90	140 x 4 / 472	02.5606.60.90	160 x 4 / 472
438	Circlip	1	02.5606.12.90	112 x 4 / 472	02.5606.22.90	122 x 4 / 472
440	Thrust washer	1	03.370.25.16.0	Ø 54 / 98 x 9	03.370.26.24.0	Ø 71 / 108 x 9.5
441	Roller bearing	1	02.6410.25.00	32310	02.6410.22.00	33213
445	Washer	1	03.320.73.13.0	Ø 43 / 61 x 5.8	03.320.64.01.0	Ø 53 / 76 x 5.8
446	Axle nut	1	03.266.46.02.0	M 42 x 2 / SW 65 / Ø 110	03.266.47.03.0	M 52 x 2 / SW 80 / Ø 120
447	Bolt	1	03.084.71.17.0	Ø 8 x 45	03.084.71.17.0	Ø 8 x 45
448	Locking ring	1	03.188.03.06.0	Ø 54 x 2	03.188.04.08.0	Ø 66 x 2
460	Hub cap	1	03.212.24.25.0	M 125 x 2 / SW 110	03.212.25.08.0 *	M 135 x 2 / SW 110
					03.212.25.33.0 *	M 136 x 2.5 / SW 110
Grease filling and bearing adjustment see page 67.					* Modified hub cap thread from 09/00. M 135 x 2 was changed to M 136 x 2.5. Note thread size stamped on the hub cap!	

H
SH
K
SK
N

4 BPW Repair kits hub bearings

4.3 ECO^{Plus} hub bearing unit

H
SH
K
SK

Roller bearings

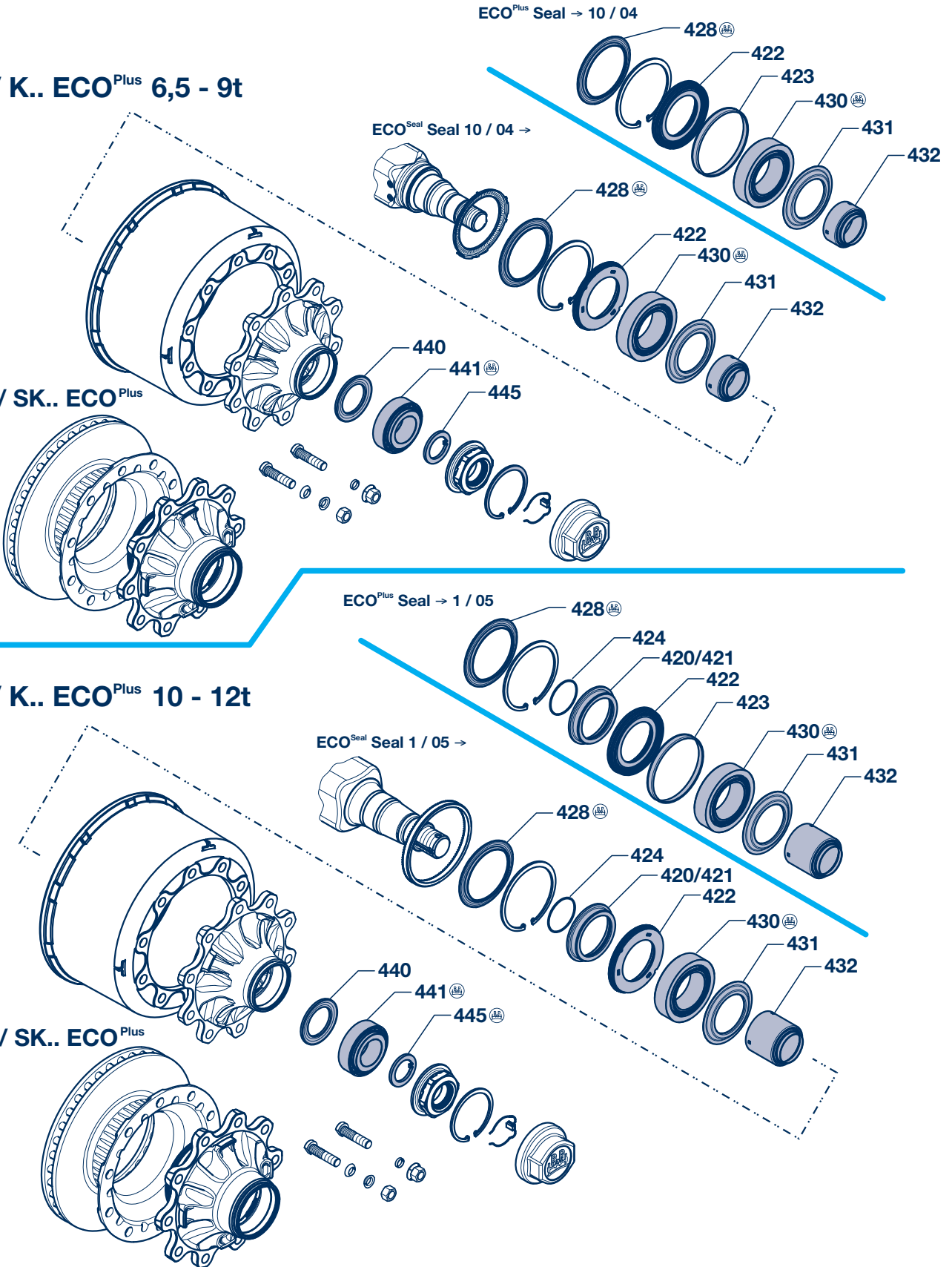
ECO^{Plus} hub bearing unit

H.. / K.. ECO^{Plus} 6,5 - 9t

SH.. / SK.. ECO^{Plus}

H.. / K.. ECO^{Plus} 10 - 12t

SH.. / SK.. ECO^{Plus}



BPW Repair kits hub bearings 4

ECO^{Plus} hub bearing unit 4.3

Roller bearings			ECO ^{Plus} hub bearing unit			
			Axle type	Brake	Year of manuf.	
			H.. / K.. SH.. / SK.. ECO ^{Plus} 6.5 - 9t	all	H.. / K.. SH.. / SK.. ECO ^{Plus} 10 - 12t	all
Item	Description	Quantity / Pieces	BPW Code no.	Dimension		
419	Repair kit roller bearing, without axle nut and hub cap, item 420, 423, 428, 430, 431, 432, 440 - 445		ECO ^{Plus} seal	→ 10 / 04		ECO ^{Plus} seal → 1 / 05
			-	09.801.06.27.0 for 1 axle side		
420	Thrust washer cpl., item 421, 422, 424	1	-	05.370.07.65.0		
421	Thrust washer	1	-	03.370.07.62.0 Ø 96 / 135 / 159 x 22		
422	Oil seal	1	02.5664.68.00	Ø 120 / 157.5 x 20		02.5664.58.00 157-136-8
423	Ring	1	02.5683.80.00	Ø 151 / 157.6 x 20		02.5683.63.00 Ø 151 / 160 x 12
424	'O'-Ring	1	-	02.5678.00.00 Ø 100 x 3		
428	Dirt seal	1	03.120.48.15.0	Ø 117.5 / 160 x 9.5		03.120.48.13.0 Ø 133 / 168 x 15
419	Repair kit roller bearing, without axle nut and hub cap, item 420, 422, 428, 430, 431, 432, 440 - 445		ECO ^{Seal} seal	10 / 04 →		ECO ^{Seal} seal 1 / 05 →
			09.801.06.26.0	for 1 axle side		09.801.07.04.0 for 1 axle side
420	Thrust washer cpl., item 421, 424	1	-	05.370.07.73.0		
421	Thrust washer	1	-	03.370.07.72.0 Ø 96 / 117.5 / 132 x 22		
422	ECO ^{Seal} seal	1	02.5664.74.00	Ø 117.5 x 158 x 17.5		02.5664.74.00 Ø 117.5 x 158 x 17.5
424	'O'-Ring	1	-	02.5678.00.00 Ø 100 x 3		
428	Dirt seal ¹⁾	1	03.120.48.15.0	Ø 117.5 / 160 x 9.5		03.120.48.15.0 Ø 117.5 / 160 x 9.5
430	Roller bearing	1	02.6410.23.00	33118		02.6410.23.00 33118
431	Dust cover	1	03.010.93.34.0	Ø 94 / 149 x 8.5		03.010.93.34.0 Ø 94 / 149 x 8.5
432	Dichtung	1	03.120.45.15.0	Ø 67 / 95 x 49.5		03.120.45.16.0 Ø 67 / 93 x 90.5
440	Thrust washer	1	03.370.26.24.0	Ø 71 / 108 x 8		03.370.26.24.0 Ø 71 / 108 x 8
441	Roller bearing	1	02.6410.25.00	32310		02.6410.22.00 33213
445	Washer	1	03.320.64.01.0	Ø 53 / 76 x 5.8		03.320.64.01.0 Ø 53 / 76 x 5.8

¹⁾ Dropped from 7 / 07 with ECO^{Seal}.
Grease filling and bearing adjustment see page 68.

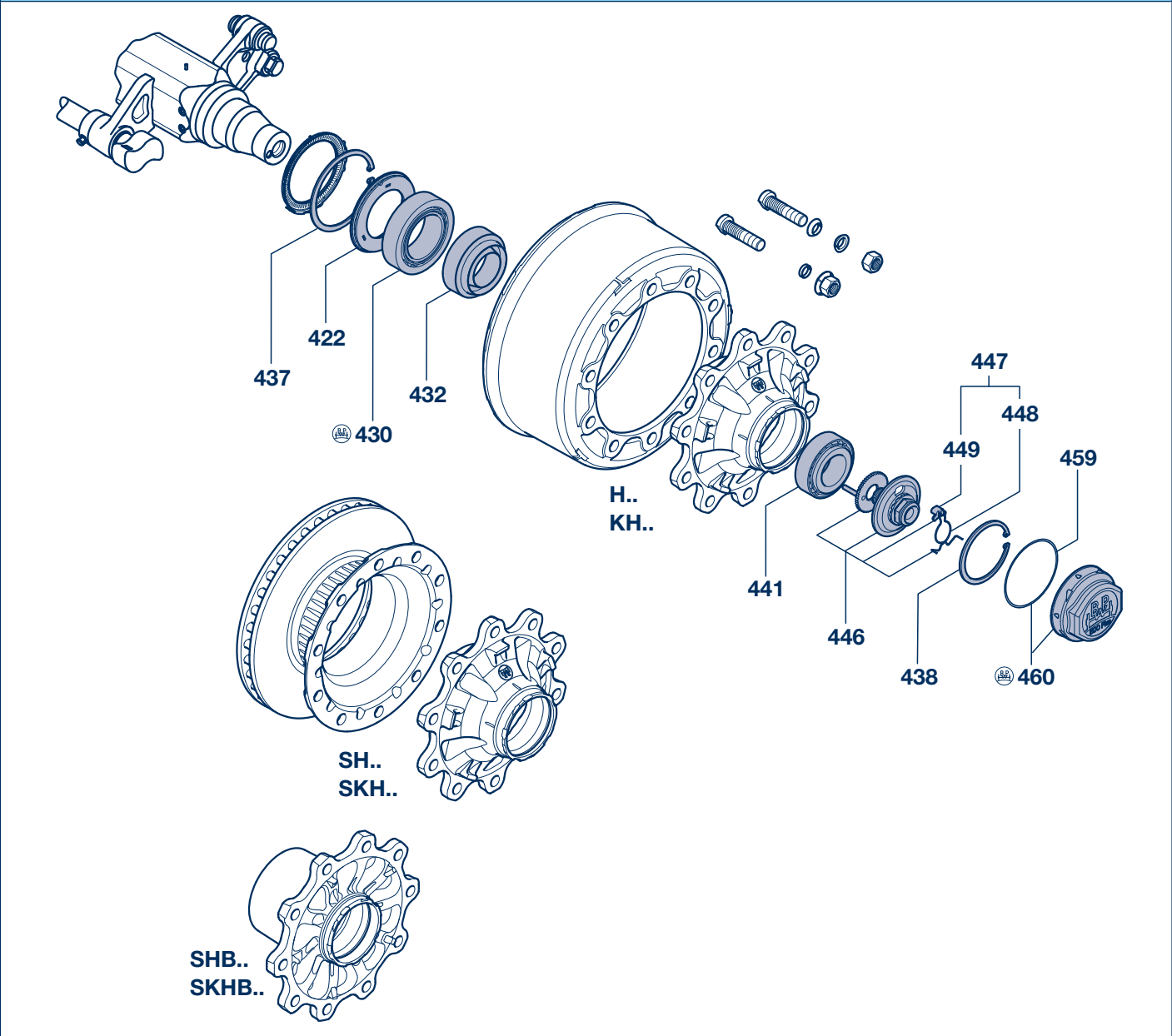
4 BPW Repair kits hub bearings

4.4 ECO Plus 2 hub bearing unit

H
SH
K
SK
N

Roller bearings

ECO Plus 2 hub bearing unit



BPW Repair kits hub bearings 4

ECO Plus 2 hub bearing unit 4.4

Roller bearings			ECO Plus 2 hub bearing unit		
			Axle type	Brake	Year of manuf.
			H.. / K.. SH.. / SK.. N.. ECO Plus 2 6.5 - 9t	all	1 / 2006 →
Item	Description	Quantity / Pieces	BPW Code no.	Dimension	
418	Repair kit roller bearing, with axle bolt and hub cap, item 422, 430, 432, 437 - 460		09.801.07.33.0	for 1 axle side	
419	Repair kit roller bearing, without axle bolt and hub cap, item 422, 430, 432, 437, 438, 441, 459		09.801.07.34.0	for 1 axle side	
422	ECO ^{Seal} seal		02.5664.74.00	Ø 117.5 x 158 x 17.5	
430	Roller bearing	1	02.6410.23.00	33118	
432	Grease cartridge	1	03.120.47.08.0	Ø 101 / 130 x 50	
437	Circlip	1	02.5606.58.90	158 x 4 / 472	
438	Circlip	1	02.5606.22.90	122 x 4 / 472	
441	Roller bearing	1	02.6410.22.00	33213	
446	Axle bolt with toothed washer, incl. item 447	1	09.001.37.03.0	M 32 x 2 / SW 46	
447	Locking ring cpl., item 448 + 449	1	05.188.03.10.0		
448	Locking ring	1	03.188.03.09.0		
449	Locking piece	1	03.277.10.01.0		
459	'O'-Ring	1	02.5678.65.00	Ø 128 x 3	
460	Hub cap (Bayonett), incl. item 459	1	05.212.25.78.0	Ø 137 / 142.6 x 56.3	
Grease filling and bearing adjustment see page 69.					

H
SH
K
SK
N

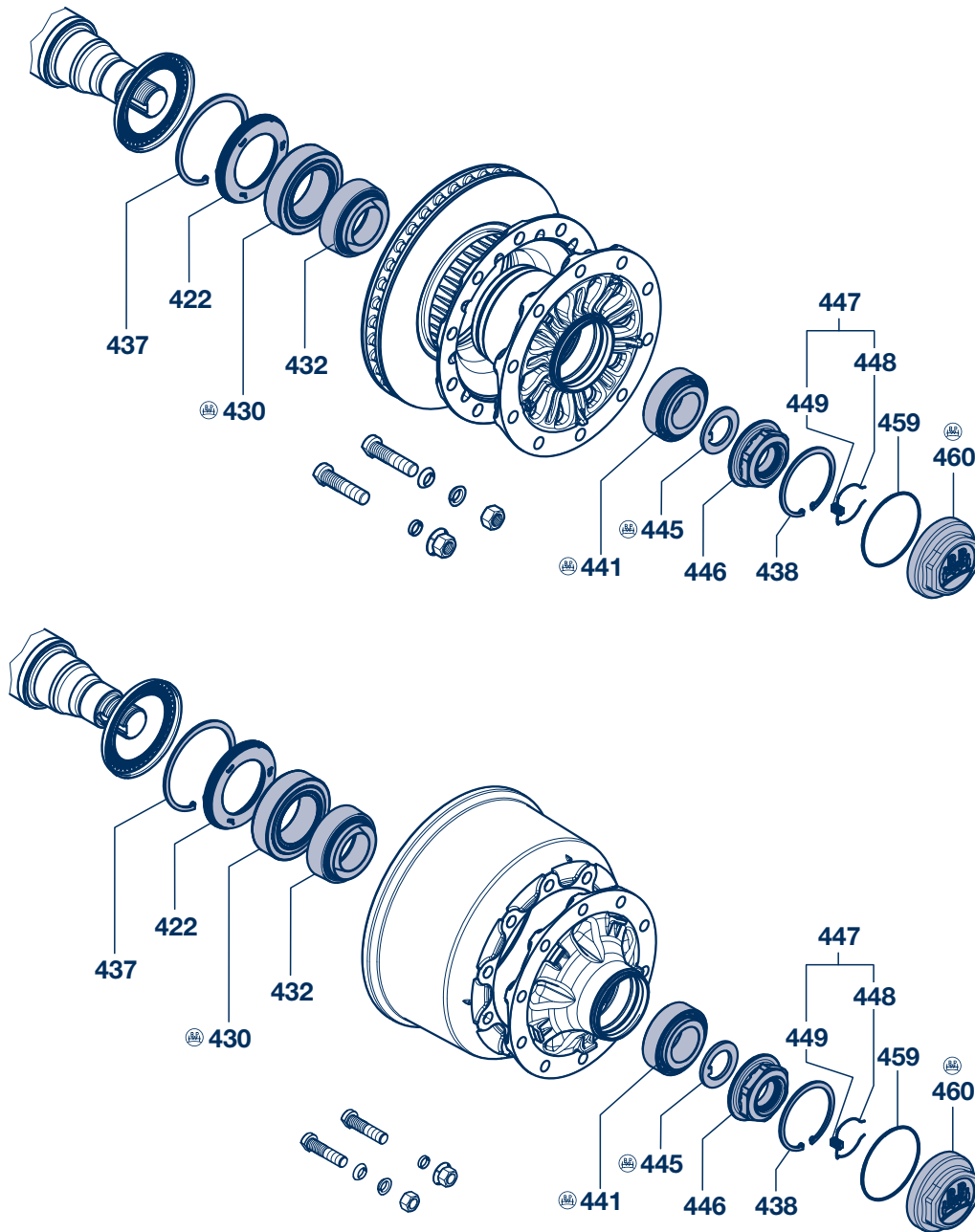
4 BPW Repair kits hub bearings

4.5 ECO Plus 3 hub bearing unit

H
SH
K
SK
N

Roller bearings

ECO Plus 3 hub bearing unit



BPW Repair kits hub bearings 4**ECO Plus 3 hub bearing unit 4.5**

Roller bearings			ECO Plus 3 hub bearing unit		
			Axle type	Brake	Year of manuf.
			H.. / K.. / N.. SH.. / SK.. ECO Plus 3 6.5 - 9t	alle	2015 -
Item	Description	Quantity / Pieces	BPW Code no.	Dimension	
418	Repair kit roller bearing, with axle nut and hub cap, (item 422 - 432, 437 - 460)		09.801.08.40.0	for 1 axle side	
419	Repair kit roller bearing, without axle nut and hub cap, (item 422 - 432, 437 - 445, 459)		09.801.08.41.0	for 1 axle side	
422	ECO ^{Seal} seal	1	02.5664.77.00	Ø 117 / 158 x 15	
430	Roller bearing	1	02.6410.23.00	33118	
432	Grease cartridge	1	03.120.47.08.0	Ø 101 / 130 x 50	
437	Circlip	1	02.5606.58.90	158 x 4 / 472	
438	Circlip	1	02.5606.22.90	122 x 4 / 472	
441	Roller bearing	1	02.6410.22.00	33213	
445	Washer	1	03.320.65.05.0	Ø 53 / 83 x 5.8	
446	Axle nut	1	05.266.47.11.0	M 52 x 2 / SW 95	
447	Locking ring cpl., (item 448 + 449)	1	05.188.04.15.0		
448	Locking ring	1	03.188.04.10.0	Ø 62 x 1.8	
449	Locking piece	1	03.277.00.07.0		
459	'O'-Ring	1	02.5678.72.00	Ø 126 x 3	
460	Hub cap, (incl. item 459)	1	05.212.25.98.0	M 135 x 2 / H 48 / SW 110	
Grease filling and bearing adjustment see page 68.					

H
SH
K
SK
N

5 BPW Repair kits complete hubs

5.1 Complete hubs for BPW axles with drum brake

Complete hubs								Drum brakes					
Axle type	Axle load	Bearing	Hub execution	Qty. wheel studs	Reference diameter (TK) Ø	Wheel size (D) Ø	Brake size (D1) Ø	Hub cap thread	Hub BPW Code no.	Hub cpl. BPW Code no.			
H.. SN 42..	6.5 - 9t	ECO MAXX	S / Z	8	275	220.8	230	M 125 x 2	03.272.28.70.0	09.801.06.55.0			
		ECO Plus 2	S					Bayonett	03.272.46.33.0	09.801.07.36.0			
		ECO Plus 3	S					M 135 x 2	03.272.46.37.0	-			
		ECO	S / Z	10				335	280.8	290	M 125 x 2	03.272.30.87.0	09.801.06.03.0
		ECO MAXX	S / Z								M 125 x 2	03.272.30.97.0	09.801.06.05.0
		ECO ^{Plus}	S / Z								M 136 x 2.5	03.272.43.10.2 *	09.801.06.07.0
		ECO Plus 2	S / Z								Bayonett	03.272.43.29.0	09.801.07.35.0
	ECO Plus 3	S / Z	M 135 x 2	03.272.43.42.0	09.801.08.39.0								
	10 - 12t	ECO	S / Z	10	335	280.8	290	M 136 x 2.5	03.272.43.20.0	09.801.06.72.0			
		ECO MAXX	S / Z						03.272.43.12.0	09.801.06.06.0			
		ECO ^{Plus}	S / Z						03.272.43.23.2 *	09.801.06.08.2			
		ECO	ZMA						03.272.48.88.0	09.801.06.15.0			
		ECO MAXX	ZMA						03.272.43.15.0	09.801.06.97.0			
	ECO ^{Plus}	ZMA	03.272.43.25.2 *	09.801.07.08.2									
K.. SN 36..	6.5 - 9t	ECO	S / Z	8	275	220.8	230	M 125 x 2	03.272.28.56.0	09.801.06.51.0			
		ECO MAXX	S / Z					M 136 x 2.5	03.272.28.70.0	09.801.06.55.0			
		ECO ^{Plus}	S / Z					Bayonett	03.272.46.28.2 *	09.801.06.69.0			
		ECO Plus 2	S / Z	Bayonett				03.272.46.33.0	09.801.07.36.0				
		ECO Plus 3	S / Z	M 135 x 2				03.272.46.37.0	-				
		ECO	S / Z	10				225	175.8	190	M 125 x 2	03.272.27.41.0	09.801.06.50.0
		ECO MAXX	S / Z								M 125 x 2	03.272.27.48.0	09.801.06.54.0
	ECO ^{Plus}	S / Z	M 136 x 2.5		03.272.43.10.2 *	09.801.06.07.0							
	ECO Plus 2	S / Z	Bayonett		03.272.43.29.0	09.801.07.35.0							
	ECO Plus 3	S / Z	M 135 x 2	03.272.43.42.0	09.801.08.39.0								
	10 - 12t	ECO	S / Z	8	275	220.8	230	M 135 x 2	03.272.46.15.0	09.801.06.53.0			
		ECO MAXX	S / Z					M 136 x 2.5	03.272.46.25.0	09.801.06.57.0			
		ECO ^{Plus}	S / Z					M 136 x 2.5	03.272.46.31.2 *	09.801.06.61.2			
		ECO	S / Z	M 135 x 2				03.272.44.34.0	09.801.06.52.0				
ECO MAXX		S / Z	10	225				175.8	190	M 136 x 2.5	03.272.44.40.0	09.801.06.56.0	
ECO ^{Plus}	S / Z	M 136 x 2.5			03.272.44.43.2 *	09.801.06.60.2							
N.. SN 30..	6 - 9t	ECO MAXX	Z	8	275	220.8	230	M 125 x 2	03.272.28.70.0	09.801.06.55.0			
		ECO Plus 2	Z					Bayonett	03.272.46.33.0	09.801.07.36.0			
		ECO Plus 3	Z					M 135 x 2	03.272.46.37.0	-			
		ECO	S / Z	10				225	175.8	190	M 125 x 2	03.272.27.41.0	09.801.06.50.0
		ECO MAXX	S / Z								M 125 x 2	03.272.27.48.0	09.801.06.54.0
		ECO Plus 2	S / Z								Bayonett	03.272.44.46.0	09.801.08.03.0
	ECO Plus 3	S / Z	M 135 x 2	03.272.44.48.0	-								
	10 - 12t	ECO	Z	10	228	175.8	190	M 135 x 2	03.272.44.34.0	09.801.06.52.0			
		ECO MAXX	Z					M 136 x 2.5	03.272.44.40.0	09.801.06.56.0			

Complete hub sets are available for series **H**, **SH**, **KH**, **SKH** and **N** axles with ECO and ECO^{Plus} wheel bearings. As well as the actual wheel hub, the kit contains all the internal parts such as roller bearings, seals, the axle nut, the exciter ring and the hub cap.

The hubs are greased with the prescribed amount of ECO-Li^{Plus} and are ready to fit.

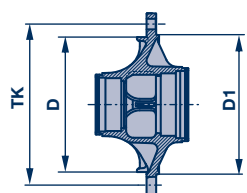
Complete hubs are assembled under series production conditions and are therefore guaranteed to offer the usual high standard of BPW quality.

BPW Repair kits complete hubs 5

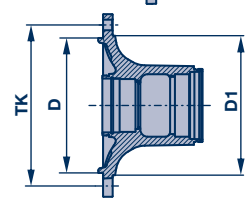
Complete hubs for BPW axles with disc brake 5.2

Complete hubs								Disc brakes						
Axle type	Axle load	Bearing	Hub execution	Qty. wheel studs	Reference diameter (TK)	Wheel size (D)	Brake size (D1)	Hub cap thread	Hub BPW Code no.	Hub cpl. BPW Code no.				
SH.. TSB 4309 TSB 4312	6.5 - 9t	ECO ECO MAXX	S / Z	10	335	280.8	290	M 125 x 2	03.272.30.97.0	09.801.06.05.0				
			ZMA						03.272.30.98.0	-				
			Alu						03.272.30.94.0	09.801.06.74.0				
		ECO ^{Plus}	S / Z					10	335	280.8	290	M 125 x 2	03.272.43.10.2 *	09.801.06.07.0
			B										03.272.43.14.2 *	09.801.06.58.0
			S / Z										03.272.43.29.0	09.801.07.35.0
	ECO Plus 2	S / Z	10	335	280.8	290	M 135 x 2	03.272.43.28.0	09.801.07.32.0					
		B						03.272.43.42.0	09.801.08.39.0					
		S / Z						03.272.43.41.0	09.801.08.36.0					
	ECO Plus 3	S / Z	10	335	280.8	290	M 136 x 2.5	03.272.43.11.0	09.801.06.84.0					
		ZMA						03.272.43.17.0	-					
		S / Z						03.272.43.11.0	09.801.06.62.0					
SK.. TSB 3709	6.5 - 9t	ECO ECO MAXX	S / Z	8	275	220.8	230	M 125 x 2	03.272.28.71.0	09.801.06.65.0				
			Alu						03.272.28.72.0	-				
			S / Z						03.272.46.28.2 *	09.801.06.69.0				
		ECO ⁸	S / Z					8	275	220.8	230	M 136 x 2.5	03.272.46.33.0	09.801.07.36.0
			S / Z										03.272.46.37.0	-
			S / Z										03.272.30.97.0	09.801.06.05.0
	ECO Plus 2	S / Z	10	335	280.8	290	M 125 x 2	03.272.30.99.0	09.801.06.67.0					
		B						03.272.32.03.0	09.801.06.64.0					
		ZMA						03.272.32.06.0	-					
		ECO Plus 3					S / Z	10	335	280.8	290	M 136 x 2.5	03.272.32.04.0	09.801.06.74.0
							B						03.272.43.10.2 *	09.801.06.07.0
							S / Z						03.272.42.14.2	09.801.06.58.0
ECO Plus 3	S / Z	10	335	280.8	290	M 136 x 2.5	03.272.43.29.0	09.801.07.35.0						
	B						03.272.43.28.0	09.801.07.32.0						
	S / Z						03.272.43.29.0	09.801.07.35.0						
	ECO Plus 2					S / Z	10	335	280.8	290	M 135 x 2	03.272.43.28.0	09.801.07.32.0	
						B						03.272.43.42.0	09.801.08.39.0	
						S / Z						03.272.43.41.0	09.801.08.36.0	
10 - 12t	ECO MAXX	8	275	220.8	230	M 136 x 2.5	03.272.46.24.0	09.801.06.63.0						
							ECO ^{Plus}	03.272.46.30.2 *	09.801.06.59.2					
	ECO ^{Plus}	10	225	175.8	190	M 136 x 2.5	03.272.46.13.0	09.801.06.66.0						
							ZMA	03.272.43.24.2 *	09.801.06.22.2					
								03.272.43.18.0	09.801.06.83.0					

S / Z



B



- Alu = Alloy hub
 - B = B-Hub (ET 120 / Wheels with offset)
 - S = Single wheels
 - Z = Twin wheels
 - ZMA = Twin wheels - Spigot alignment / Alloy wheels
 - ZMS = Twin wheels - Spigot alignment / Steel wheels
- * = ECO^{Seal}

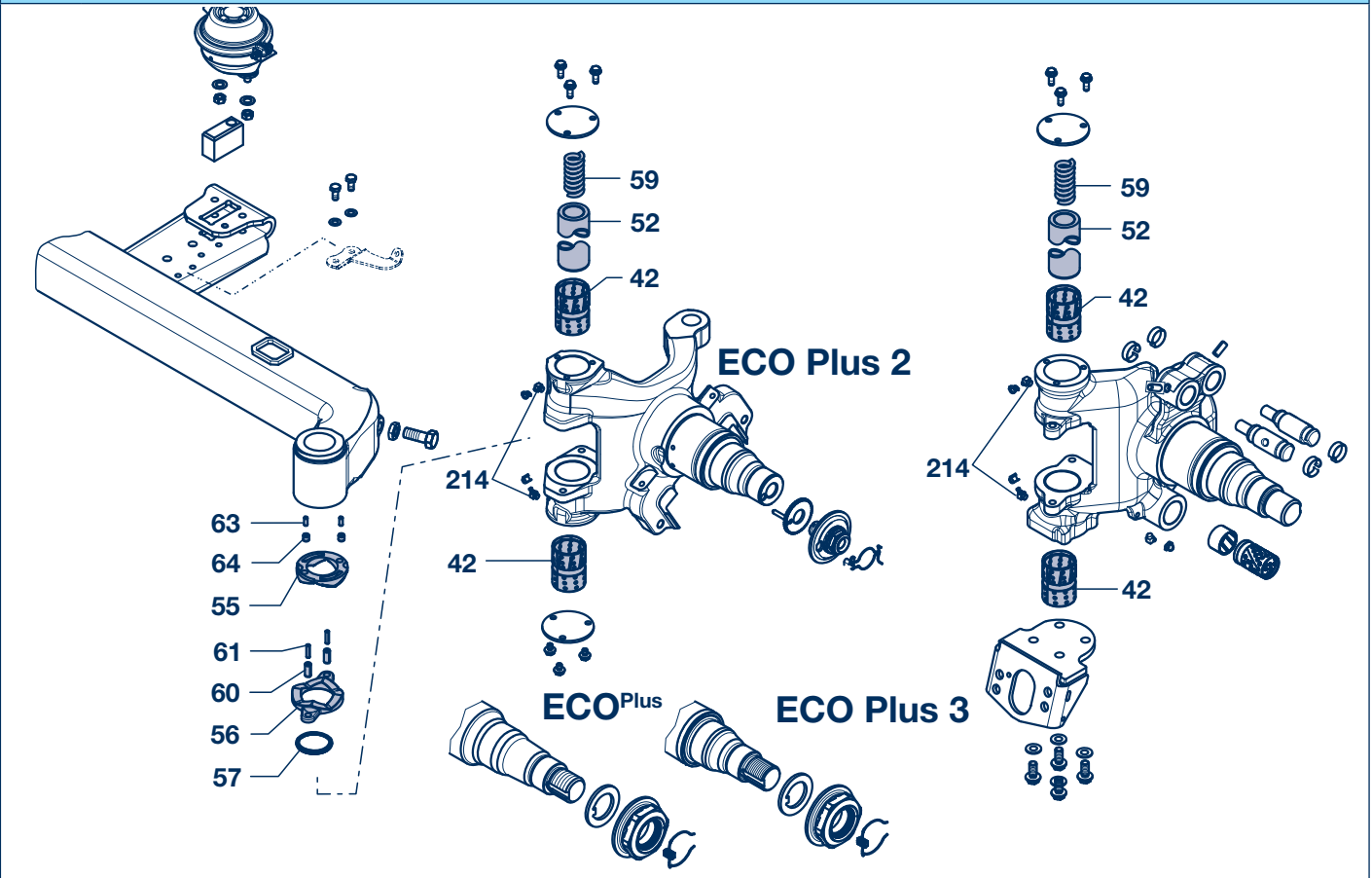
SH
SK

6 BPW Repair kits for steering axles

6.1 Steering bolt bearing, series ..LL

H
SH
K
SK
N

Steering bolt bearing, series ..LL

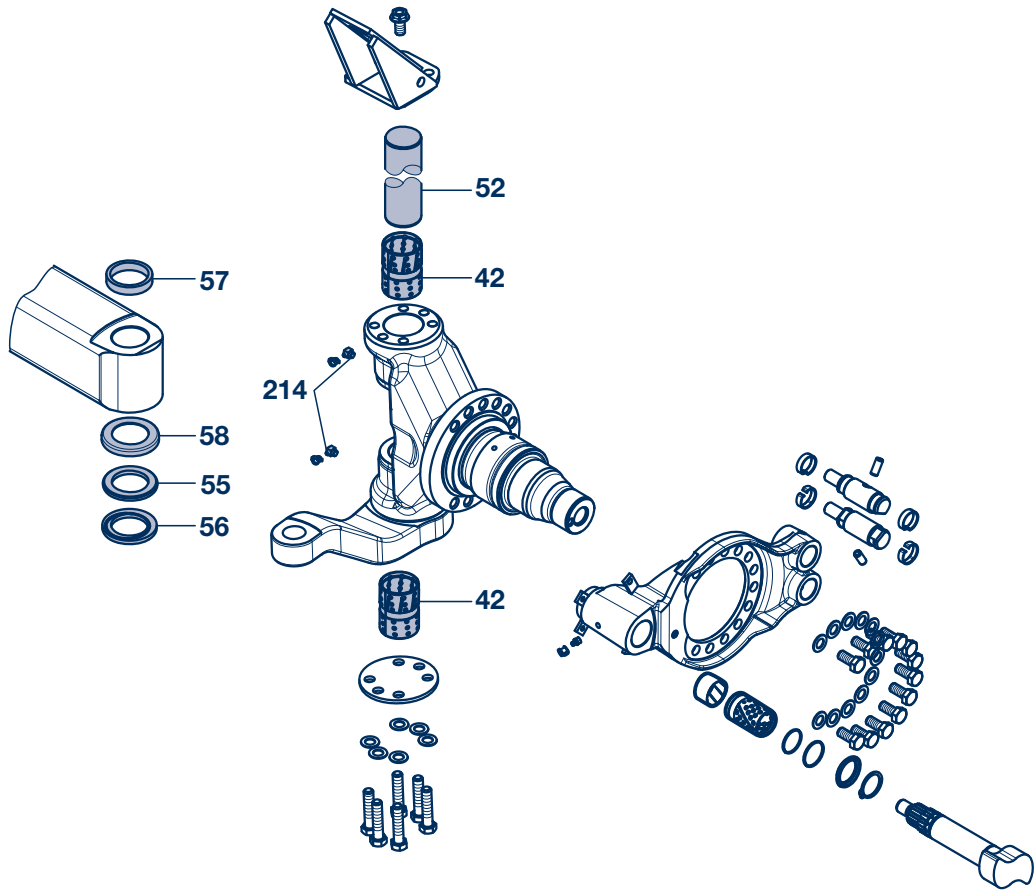


			Axle type	Brake	Year of manuf.	
			..LL up to 12t	all	1990 →	..LL 14t all 1990 →
Item	Description	Quantity / Pieces	BPW Code no.	Dimension		
45	Repair kit steering bolt bearing, item 42, 52 - 64, 214		09.801.02.35.0	Steering angle < 24° for 1 axle	09.801.02.37.0	for 1 axle
			09.801.07.90.0	Steering angle > 25° for 1 axle	-	
42	Bush	4	03.112.76.08.0	Ø 60 / 65 x 90	03.112.76.08.0	Ø 60 / 65 x 90
52	Steering bolt	2	03.240.08.04.0	Ø 39 / 60 x 331	03.240.08.06.0	Ø 39 / 60 x 331
55	Thrust washer, < 24° upper	2	03.128.05.07.0	Ø 64 / 99 x 18.5	03.128.05.07.0	Ø 64 / 99 x 18.5
	Thrust washer, > 25° upper	2	03.128.05.10.0	Ø 64 / 99 x 18	-	
56	Thrust washer, < 24° lower	2	03.128.05.06.0	Ø 64 / 99 x 18.5	03.128.05.06.0	Ø 64 / 99 x 18.5
	Thrust washer, > 25° lower	2	03.128.05.09.0	Ø 64 / 99 x 18	-	
57	Seal	2	02.5681.03.00	Ø 70 / 62 / 59 x 5	02.5681.03.00	Ø 70 / 62 / 59 x 5
59	Pressure spring	2	03.125.07.10.1	Ø 30 / 38 x 86 / Ø 8	03.125.07.10.1	Ø 30 / 38 x 86 / Ø 8
60	Roll pin	4	02.6006.95.90	Ø 12 x 28	02.6006.95.90	Ø 12 x 28
61	Roll pin	4	02.6016.01.90	Ø 7 x 28	02.6016.01.90	Ø 7 x 28
63	Roll pin	4	02.6006.23.90	Ø 12 x 16	02.6006.23.90	Ø 12 x 16
	Roll pin	4	02.6016.00.90	Ø 7 x 18	02.6016.00.90	Ø 7 x 18
64	Roll pin	4	02.6016.11.90	Ø 12 x 12	02.6016.11.90	Ø 12 x 12
214	Grease nipple	4	02.6802.06.50	BM 10 x 1	02.6802.06.50	BM 10 x 1

BPW Repair kits for steering axles **6**

Steering bolt bearing, series ..L **6.2**

Steering bolt bearing, series ..L



			Axle type	Brake	Year of manuf.		
			..L	all	all	..L	all
Item	Description	Quantity / Pieces	BPW Code no.	Dimension			
45	Repair kit steering bolt bearing, item 42, 52 - 58, 214		09.801.02.36.0	for 1 axle	-		
49	Repair kit steering bolt, item 52		-		09.801.02.64.0	for 1 axle side	
42	Bush	4	03.112.76.08.0	Ø 60 / 65 x 90	-		
52	Steering bolt	2 / 1	03.240.08.01.0	Ø 60 x 331	03.240.08.01.0	Ø 60 x 331	
55	Thrust washer, upper	2	03.128.05.04.0	Ø 61 / 90 x 7	-		
56	Thrust washer, lower	2	03.128.25.07.0	Ø 61 / 90 x 7	-		
57	Ring	2	03.310.35.37.0	Ø 63.5 / 76 x 15	-		
58	Cap	2	03.211.17.05.0	Ø 61 / 91 x 12	-		
214	Grease nipple	4	02.6802.06.50	BM 10 x 1	-		

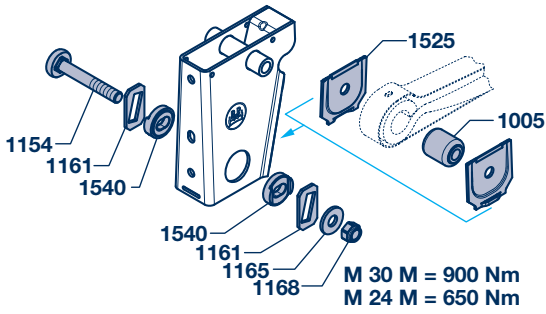
H
SH
K
SK
N

7 BPW Repair kits for air suspensions

7.1 Spring pivot bolt bearings, trailing arm width 70 mm

Spring pivot bolt bearings, trailing arm width 70 mm

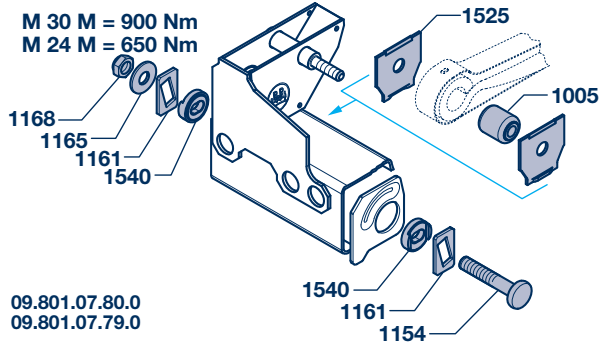
Angled hanger bracket



09.801.07.38.0
09.801.07.19.0

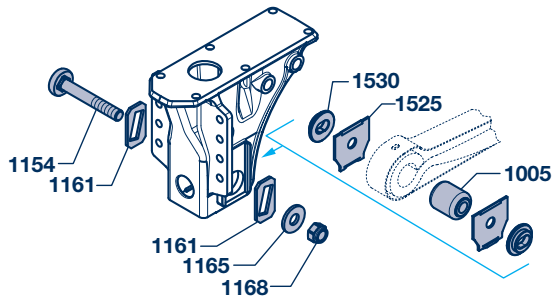
Straight hanger bracket C-Member

M 30 M = 900 Nm
M 24 M = 650 Nm



09.801.07.80.0
09.801.07.79.0

Adjustable cast alloy hanger bracket

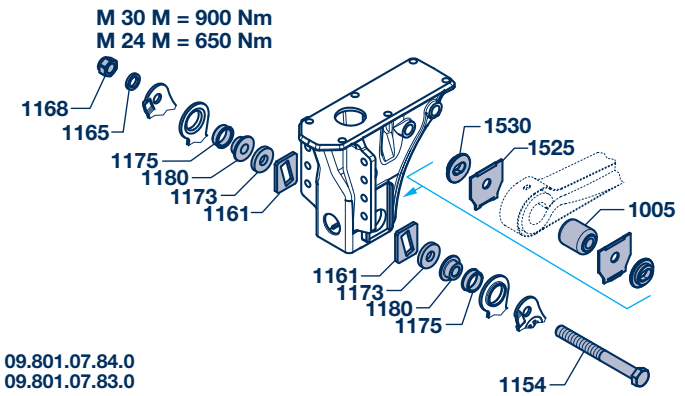


09.801.07.82.0
09.801.07.81.0

M 30 M = 900 Nm
M 24 M = 650 Nm

Adjustable cast alloy hanger bracket Axle lift device

M 30 M = 900 Nm
M 24 M = 650 Nm



09.801.07.84.0
09.801.07.83.0

1154

O
SL
AL

BPW Repair kits for air suspensions 7

Spring pivot bolt bearings, trailing arm width 70 mm 7.1

Repair kits for spring pivot bolt bearings, trailing arm width 70 mm															
For individual spare parts see spare parts list air (EL-Luft)				Thread				M 24		M 30					
				S = Steel hanger bracket A = Alloy hanger bracket X = Stainless steel hanger bracket V = adjustable AV = Axle lift device				S	S	A	A	S	S	A	A
								X	V	V	V	X	V	V	V
								V			AV	V			AV
								BPW Repair kit		BPW - item 1150					
Item	Description	Dimension	BPW Code no.	09.801.07.38.0	09.801.07.79.0	09.801.07.81.0	09.801.07.84.0	09.801.07.19.0	09.801.07.80.0	09.801.07.82.0	09.801.07.83.0				
1152	Spring pivot bolt assy., item 1154, 1161, 1165, 1168, 1525		05.857.00.28.0	⊙											
			05.857.00.29.0		⊙										
			05.857.00.30.0				⊙								
			05.857.00.31.0					⊙							
			05.857.00.18.0						⊙						
			05.857.00.19.0							⊙					
			05.857.00.20.0								⊙				
1005	Bush	∅ 24 / 60 x 72	02.0314.24.00	⊙	⊙	⊙	⊙								
		∅ 30 / 60 x 72	02.0315.98.00					⊙	⊙	⊙	⊙				
1154 1155	Bolt (Spring pivot bolt)	M 24 x 166 / ∅ 56	03.340.14.20.0	⊙	⊙										
		M 24 x 180 / ∅ 56	03.340.14.23.0			⊙									
		M 24 x 260 / SW 36	03.340.14.25.0				⊙								
		M 30 x 170 / ∅ 62	03.341.05.05.0					⊙	⊙						
		M 30 x 180 / ∅ 62	03.341.05.02.0							⊙					
		M 30 x 265 / SW 46	03.340.15.40.0								⊙				
1161	Plate (Adjusting plate)	∅ 24 / 98 x 51.5 x 6	03.281.44.25.0	⊙	⊙										
		∅ 24 / 86 x 65 x 8	03.281.54.20.0			⊙	⊙								
		∅ 30 / 104 x 57.5 x 8	03.281.54.18.0					⊙	⊙						
		∅ 30 / 86 x 65 x 8	03.281.54.19.0							⊙	⊙				
1165	Washer	∅ 26 / 60 x 6	03.320.33.28.0	⊙	⊙										
		∅ 25 / 70 x 12	03.005.31.38.0			⊙									
		∅ 25 / 36 x 6	03.320.30.41.0				⊙								
		∅ 31 / 71 x 6	03.320.34.53.0					⊙	⊙	⊙					
		∅ 31 / 57 x 6	03.320.32.38.0								⊙				
1168	Lock nut	M 24 / SW 36	03.260.14.13.0	⊙	⊙	⊙	⊙								
		M 30 / SW 46	03.260.15.01.0					⊙	⊙	⊙					
	Axle nut	M 30 / 935-8	02.5204.35.60								⊙				
1169	Split pin	6.3 x 50 / 94	02.6201.62.01								⊙				
1173	Washer	∅ 25 / 62 x 10	03.320.32.42.0				⊙								
		∅ 31 / 56 x 10	03.320.32.41.0								⊙				
1175	Bush	∅ 42 / 50 / 64 x 17.5	03.113.04.11.0				⊙				⊙				
1180	Graduated bush	∅ 24 / 62 / 42 x 22	03.112.00.28.0				⊙								
		∅ 30 / 62 / 42 x 22	03.113.01.37.0								⊙				
1525	Shaped plate	∅ 24 / angled hanger bracket	03.164.35.03.0	⊙											
		∅ 24 / straight hanger bracket	03.164.35.04.0		⊙	⊙	⊙								
		∅ 30 / angled hanger bracket	03.164.35.02.0					⊙							
		∅ 30 / straight hanger bracket	03.164.35.01.0						⊙	⊙	⊙				
1530	Bush	∅ 24 / 36.6 / 55/90 x 20	03.113.00.50.1			⊙	⊙								
		∅ 30 / 42.6 / 55/90 x 20	03.113.01.43.1							⊙	⊙				
1540	Bush	∅ 24 / 36 / 67 x 21	03.113.03.10.0	⊙	⊙										
		∅ 30 / 42 / 74 x 23	03.113.23.01.0					⊙	⊙						

O

SL

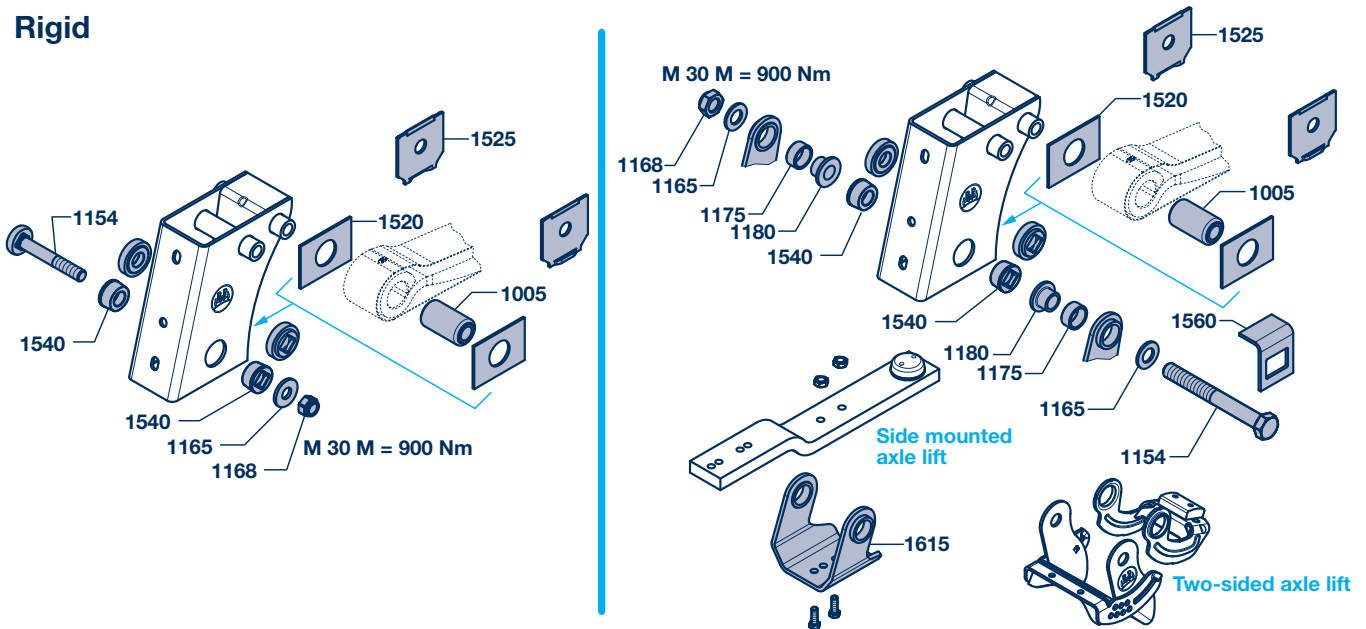
AL

7 BPW Repair kits for air suspensions

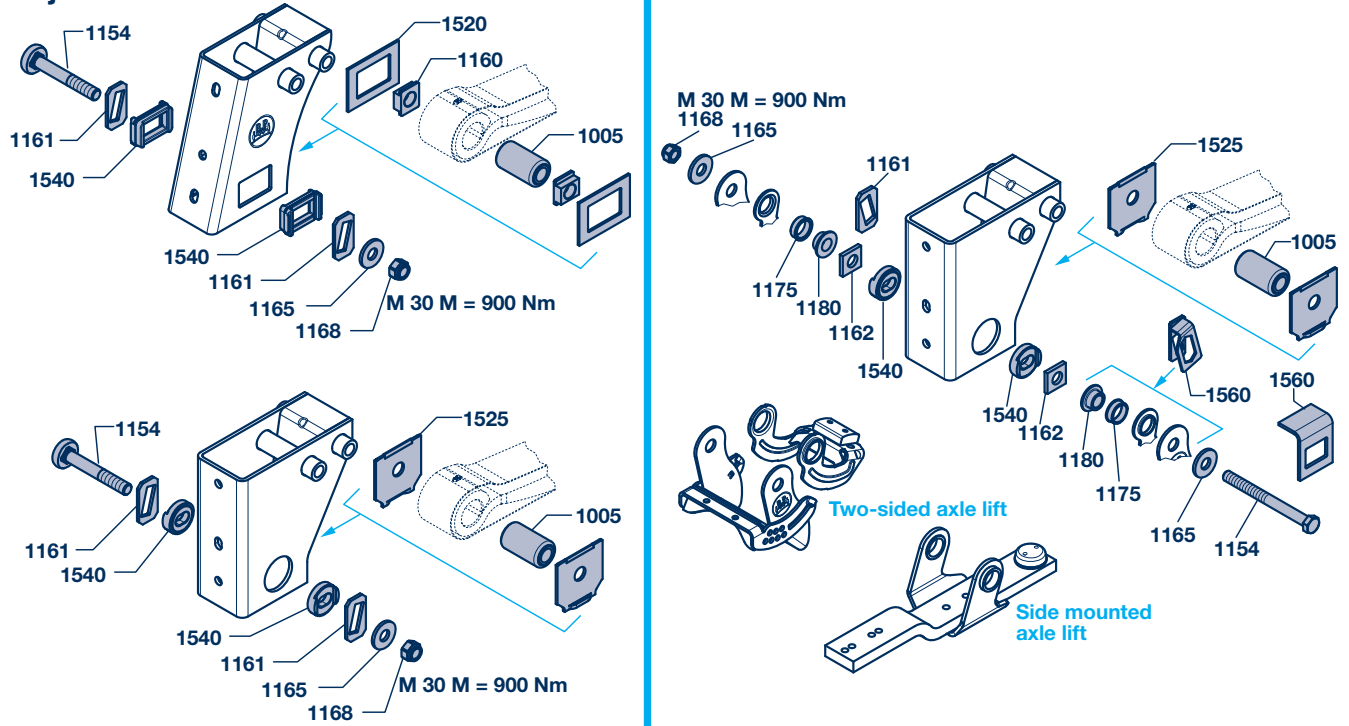
7.2 Spring pivot bolt bearings, trailing arm width 100 mm

Spring pivot bolt bearings, trailing arm width 100 mm

Rigid



Adjustable



BPW Repair kits for air suspensions 7

Spring pivot bolt bearings, trailing arm width 100 mm 7.2

Repair kits for spring pivot bolt bearings, trailing arm width 100 mm														
For individual spare parts see spare parts list air (EL-Luft)				Thread	M 30									
		S = Steel hanger bracket		BPW Code no.	S	S	S	S	S	S	S	S	S	
		V = adjustable AV = Axle lift device			AV	AV	V	V	V	V	V	V	V	
Item	Description	Dimension		BPW Repair kit				BPW - item 1150						
				09.801.06.28.0	09.801.06.29.0	09.801.07.02.0	09.801.06.77.0	09.801.07.03.0	09.801.06.87.0	09.801.06.92.0	09.801.07.75.0	09.801.07.77.0	09.801.07.78.0	09.801.07.76.0
1152	Spring pivot bolt assy., item 1154, 1160, 1161, 1165, 1168, 1525		05.857.00.12.0 05.857.00.24.0 05.857.00.09.0 05.857.00.15.0	⊙	⊙	⊙			⊙					
1005	Bush	∅ 30 / 57 x 102 SGS ∅ 30 / 60 x 102 SG	02.0316.90.00 02.0316.06.00	⊙		⊙	⊙	⊙	⊙		⊙			⊙
1154 1155	Bolt (Spring pivot bolt)	M 30 x 200 / ∅ 52 M 30 x 200 / ∅ 62 M 30 x 265 / SW 46	03.341.05.03.0 03.341.05.04.0 03.340.15.37.0	⊙	⊙	⊙			⊙	⊙		⊙	⊙	⊙
1160	Slider	∅ 30 / 50 x 58 x 20	03.181.20.08.0						⊙		⊙			
1161	Plate (Adjusting plate)	∅ 30 / 104 x 57.5 x 8 ∅ 30 / 104 x 72 x 8	03.281.54.18.0 03.281.54.14.0						⊙				⊙	⊙
1162	Plate	∅ 31 / □ 72 x 10	03.281.63.11.0								⊙	⊙		
1165	Washer	∅ 31 / 71 x 6 ∅ 31 / 57 x 6 A 31 ∅ 31 / 62 x 5	03.320.34.53.0 03.320.32.38.0 02.5401.31.01 03.320.34.51.0		⊙	⊙		⊙	⊙	⊙		⊙	⊙	
1168	Lock nut	M 30 / SW 46	03.260.15.01.0	⊙	⊙	⊙	⊙	⊙	⊙	⊙	⊙	⊙	⊙	⊙
1175	Bush	∅ 41 / 50 x 23	03.113.94.10.0				⊙	⊙			⊙			⊙
1180	Ring Graduated bush	∅ 30 / 39 x 25 ∅ 30 / 62 / 40 x 31	03.310.30.49.0 03.113.01.47.0				⊙	⊙			⊙			
1520	Plate	∅ 56 / □ 101/140 x 4.5 ∅ 56 / □ 105 x 4.5 □ 62/92 / □ 101/130 x 4.5 □ 62/92 / □ 101/140 x 4.5	03.281.35.16.0 03.281.15.03.0 03.281.25.06.0 03.281.25.04.0	⊙	⊙		⊙			⊙		⊙		
1525	Shaped plate	∅ 30 / straight hanger bracket	03.164.35.01.0			⊙		⊙		⊙				⊙
1535	Bush	∅ 30 / 51 / 56 x 29 ∅ 30 / 55 / 73.6 x 24	03.113.01.34.0 03.113.01.46.0	⊙	⊙		⊙							
1540	Shaped part Bush	92 x 62 x 29 ∅ 30 / 42 / 74 x 23	03.001.14.86.0 03.113.23.01.0						⊙		⊙			⊙
1560	Torsion protection Adjusting plate with torsion protection		03.161.35.07.0 05.001.32.02.0				⊙	⊙			⊙	⊙		⊙
1615	Support		05.189.13.19.0				⊙							

O
SL
AL

7 BPW Repair kits for air suspensions

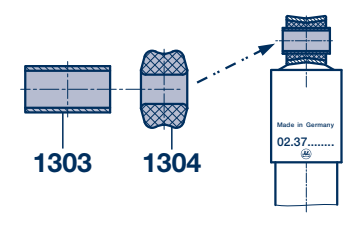
7.3 Bushes for shock absorbers

Bushes for shock absorbers

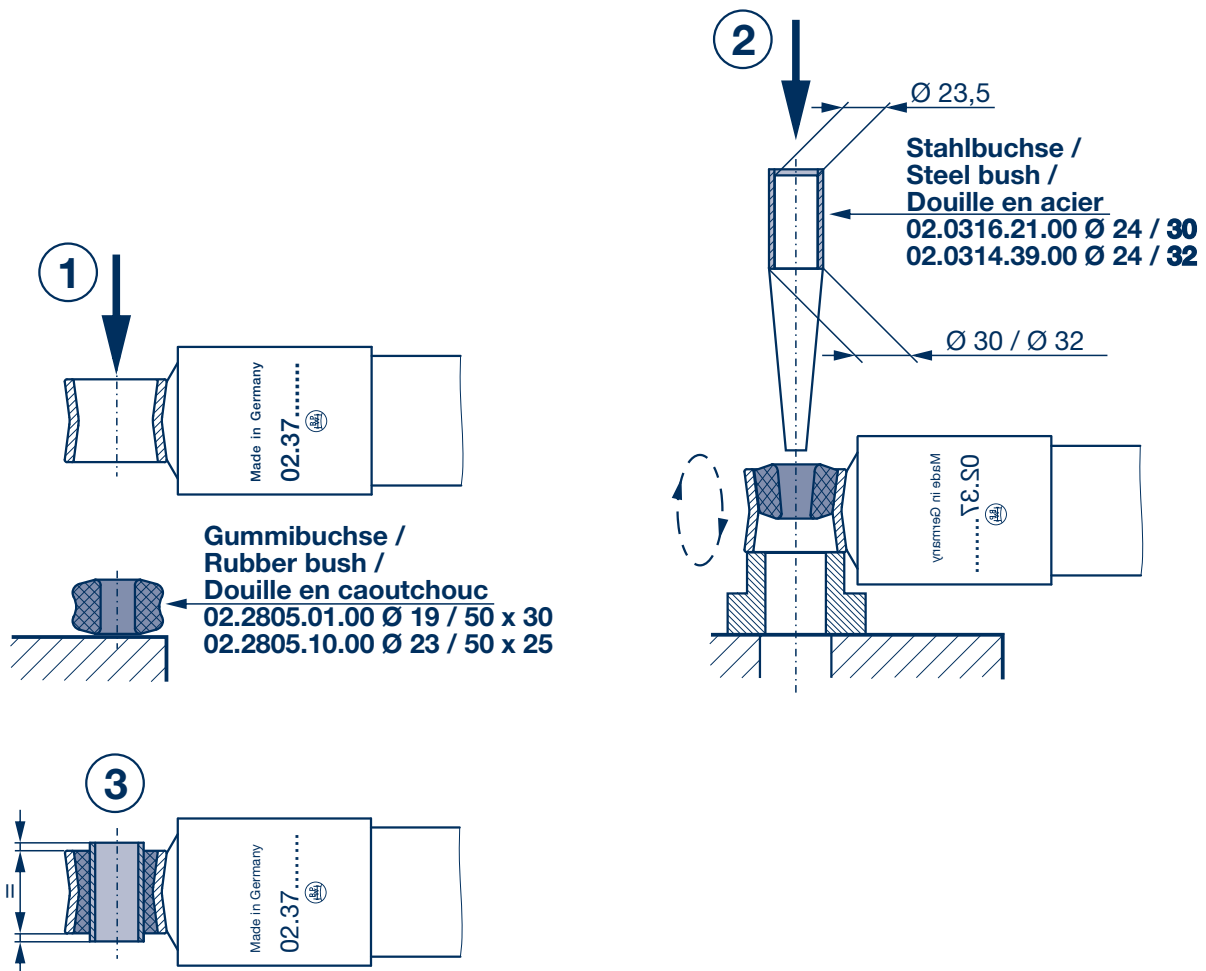
Version	Item	Description	BPW Code no.	Dimension
Shock absorber with last digit ..0	1303	Steel bush	02.0316.21.00	Ø 24 / 30 x 55
	1304	Rubber bush	02.2805.01.00	Ø 19 / 50 x 30
Shock absorber with last digit ..2	1302	Repair kit bush for shock absorber, item 1303 + 1304	09.801.08.18.0	
	1303	Steel bush *	02.0314.39.00	Ø 24 / 32 x 55
	1304	Rubber bush *	02.2805.10.00	Ø 23 / 50 x 25


Steel and rubber bushes with Ø 24 / 30 mm are no longer available - convert to steel and rubber bushes with Ø 24 / 32 mm.

* Only available as set (09.801.08.18.0)!



Changing the bushes



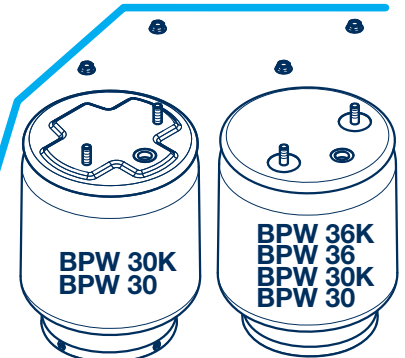
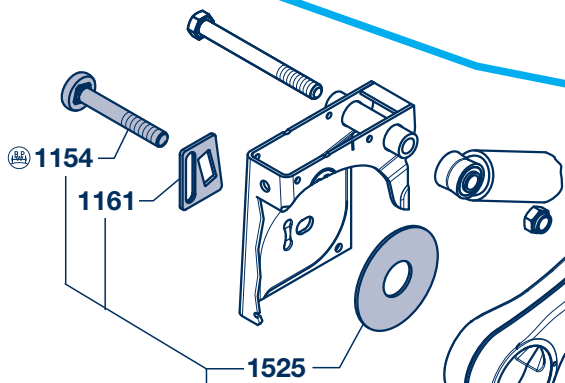
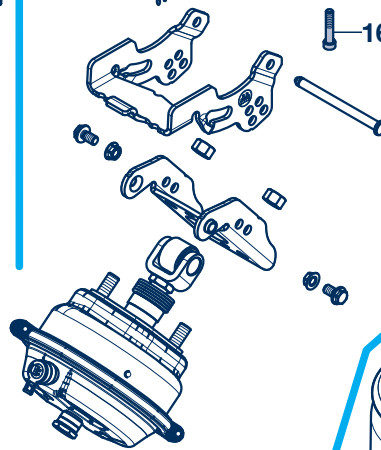
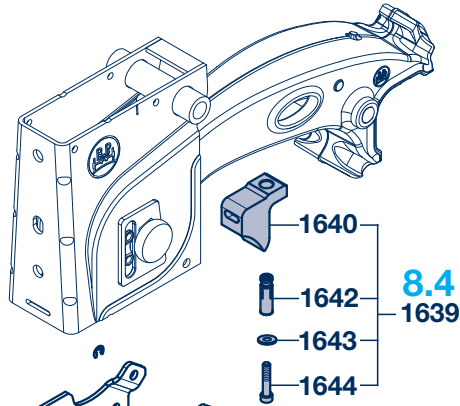
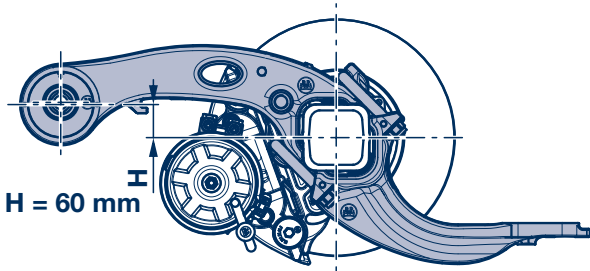
 Lubricate the rubber and steel bush with a 50% soap solution prior to assembly!

Notes

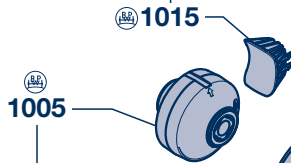
8 Repair kits for ECO Air COMPACT

Repair kits for ECO Air COMPACT

AC



8.2
1150



8.1



8.3
1324
1323

1525



Repair kits for ECO Air COMPACT

8

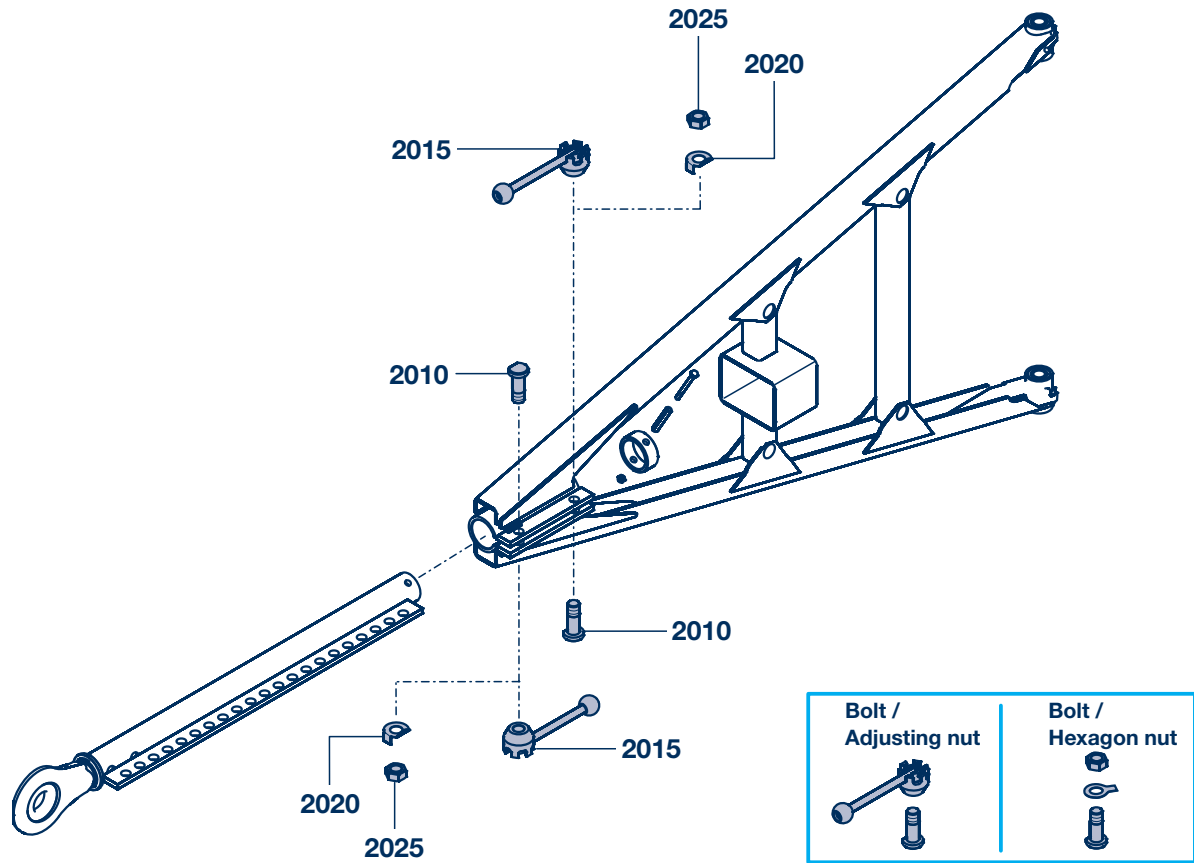
Item	Description	Dimension	BPW Code no.	Pieces / Axle	ACAU	ACAM	ACAO	ACBU	ACBM	ACBO
8.1 Repair kit axle clamping										
1049	Repair kit axle clamping, item 1050, 1055, 1057		09.801.08.14.0	2	⊙	⊙	⊙	⊙	⊙	⊙
1050	U-bolt *		03.138.32.16.0	4	⊙	⊙	⊙	⊙	⊙	⊙
1055	Washer	A 21	02.5401.21.10	8	⊙	⊙	⊙	⊙	⊙	⊙
1057	Lock nut	M 20 - 10 / SW 30	03.260.04.21.0	8	⊙	⊙	⊙	⊙	⊙	⊙
* Only available as kit (09.801.08.14.0 / item 1049)										
8.2 Repair kit spring pivot bolt bearing / bush for guide link										
1150	Repair kit spring pivot bolt bearing, item 1004, 1154 - 1168, 1525		09.801.08.12.0	2	⊙	⊙	⊙	⊙	⊙	⊙
1004	Repair kit bush for guide link, item 1005 + 1015		09.801.08.20.0	2	⊙	⊙	⊙	⊙	⊙	⊙
1005	Bush ¹⁾	∅ 24 / 43 / 59 / 132 x 112	02.0314.38.00	2	⊙	⊙	⊙	⊙	⊙	⊙
1015	Plug ¹⁾	60 x 83.5 x 44	03.379.00.39.0	2	⊙	⊙	⊙	⊙	⊙	⊙
1154	Spring pivot bolt	M 24 x 171 / ∅ 56	03.340.14.33.0	2	⊙	⊙	⊙	⊙	⊙	⊙
1161	Plate (Adjusting plate)	107 x 85/70 x 6	03.281.34.12.0	4	⊙	⊙	⊙	⊙	⊙	⊙
1165	Washer	∅ 25 / 60 x 6	03.320.33.28.0	2	⊙	⊙	⊙	⊙	⊙	⊙
1168	Lock nut	M 24 / SW 36	03.260.14.13.0	2	⊙	⊙	⊙	⊙	⊙	⊙
1525	Washer	∅ 59.1 / 170 x 4.5	03.320.38.29.0	4	⊙	⊙	⊙	⊙	⊙	⊙
¹⁾ Only available as kit (09.801.08.20.0 / item 1004)										
8.3 Repair kit lower shock absorber attachment										
1323	Repair kit lower shock absorber attachment, item 1324		09.801.08.11.0	2	⊙	⊙	⊙	⊙	⊙	⊙
1324	Hexagon bolt	M 24 x 95 - 8.8 / SW 36	03.340.14.32.0	2	⊙	⊙	⊙	⊙	⊙	⊙
8.4 Repair kit shaped part for two-sided axle lift										
1639	Repair kit shaped part, item 1640 - 1644	for H = 60	09.801.08.13.0	2	⊙	⊙	⊙			
		for H = 130	09.801.08.24.0	2				⊙	⊙	⊙
1640	Shaped part	for H = 60	03.001.35.17.0	2	⊙	⊙	⊙			
		for H = 130	03.001.35.19.0	2				⊙	⊙	⊙
1642	Dowel	M 10	02.0130.87.10	2	⊙	⊙	⊙	⊙	⊙	⊙
1643	Washer	A 10	02.5401.10.11	2	⊙	⊙	⊙	⊙	⊙	⊙
1644	Cylinder head bolt	M 10 x 50 / SW 8	02.5015.27.82	2	⊙	⊙	⊙	⊙	⊙	⊙

AC

9 BPW Repair kits for drawbars

9.1 Clamping bolts for drawbars

Clamping bolts for drawbars



			Application			
			PZL 27, PZL 32, PZGL 26, PZGL 32			
Item	Description	Quantity / Pieces	BPW Code no.	Dimension		
2000	Repair kit clamping bolt with adjusting nut, item 2010 + 2015		09.801.03.30.0	for 1 connection	-	
2000	Repair kit clamping bolt with hexagon nut, item 2010, 2020, 2025		-		05.801.90.13.0	for 1 connection
2010	Threaded bolt	1	03.177.14.29.0	M 24 x 1.5 x 78	03.177.14.29.0	M 24 x 1.5 x 78
2015	Adjusting nut	1	05.265.04.04.0	M 24 x 1.5	-	
2020	Washer	1	-		02.5425.25.04	Ø 25
2025	Hexagon nut	1	-		02.5202.31.82	M 24 x 1.5

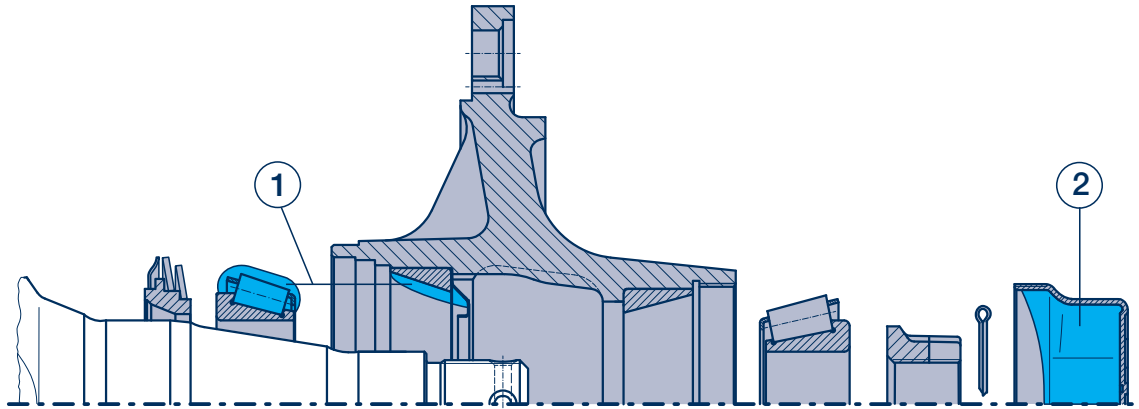
Notes

10 Grease filling per wheel hub, bearing adjustment

10.1 Conventional bearing

Grease filling per wheel hub

Conventional hub bearing system



Clean taper roller bearings (using diesel oil) thoroughly, dried, check for serviceability and re-grease.

		BPW longlife roller bearing grease ECO-Li 91, quantity per tapered roller bearing			
		① inner		② outer	
Axle load	Axle type	Roller bearing	Quantity	Roller bearing	Quantity
6400kg	KRBM 6408	33215	170 g	32310	290 g
6000 - 9000kg	H.. 6.5 - 9t K.. 6.4 - 9t N.. 6 - 9t	33116	170 g	32310	290 g
10000 - 12000kg	H.. 10 - 12t K.. 10 - 12t N.. 10 - 12t	33118	180 g	33213	320 g
13000 - 14000kg	H.. 13 - 14t K.. 13t N.. 13t	32219	240 g	33215	500 g
16000 - 18000kg	H.. 16 - 18t	32222	400 g	32314	800 g

① Work **BPW longlife roller bearing grease ECO-Li 91** into the spaces between the tapered rollers and the races.
Apply remainder to outer race of the hub.
+
② The bearing grease for the outer tapered roller bearing is pressed into the bearing as the hub cap filled with grease is screwed on.

Greasing with grease spray see page 71.

Bearing adjustment

Conventional hub bearing system

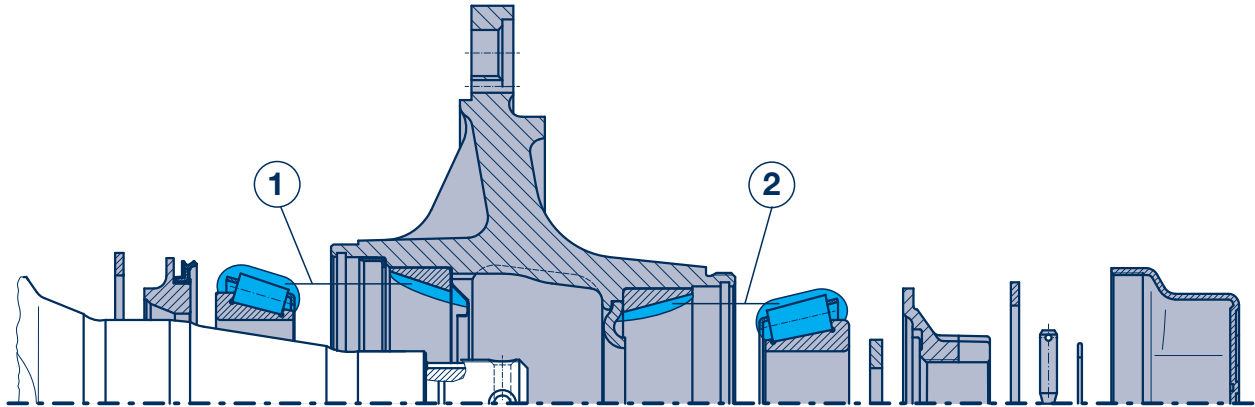
1. Unscrew the hub cap.
2. Remove the axle nut split pin.
3. Tighten the axle nut using a torque wrench to 150 Nm (6 - 14t) or 350 Nm (16 - 20t) while simultaneously turning the wheel hub.
(When using the normal axle nut wrench (tool kit), tighten the axle nut until the wheel hub race is slightly braked).
4. Turn the axle nut back to the next possible pin hole. Should they be in line turn back to the next hole (30° at the maximum).
5. Insert the split pin and bend slightly outwards.
6. Refill the hub cap as required with **BPW longlife roller bearing grease ECO-Li 91**, grease thread of the hub cap all round, screw in and tighten to the prescribed tightening torque.

Grease filling per wheel hub, bearing adjustment 10

ECO / ECO-MAXX hub system (ECO Unit) 10.2

Grease filling per wheel hub

ECO / ECO-MAXX hub system (ECO Unit)



The BPW ECO hub system is designed for longlife lubrication (500,000 km or 3 years under normal conditions). Thereafter clean tapered roller bearings (using diesel oil) thoroughly, dried, check for serviceability and re-grease (observe the current BPW maintenance instructions).

		BPW longlife roller bearing grease ECO-Li 91, quantity per tapered roller bearing			
		① inner		② outer	
Axle load	Axle type	Roller bearing	Quantity	Roller bearing	Quantity
6000 - 9000kg	H.. / SH.. 6.5 - 9t ECO K.. / SK.. 6.4 - 9t ECO N.. 6 - 9t ECO	33116	120 g	32310	120 g
10000 - 12000kg	H.. / SH.. 10 - 12t ECO K.. / SK.. 10 - 12t ECO N.. 10 - 12t ECO	33118	170 g	33213	120 g
13000 - 14000kg	H.. 13 - 14t	32219	230 g	33215	150 g

① Work **BPW longlife roller bearing grease ECO-Li 91** thoroughly into the spaces between the tapered rollers and the races. Apply remainder to outer races in the hub.
② Renew the lip seal and smear contact area with **BPW longlife roller bearing grease ECO-Li 91**.

Greasing with grease spray see page 71.

Bearing adjustment

ECO / ECO-MAXX hub system (ECO Unit)

- Unscrew the hub cap.
- Remove the locking bolt with spring ring.
- By turning wheel hub simultaneously, tighten axle nut with torque wrench to 150 Nm and turn back to the next possible securing hole, max. 15°. - Because of the asymmetric crown of the axle nut the next securing hole will be reached after max. 15°.
- Re-assemble locking bolt with spring ring.
- Grease thread of the hub cap around with **BPW longlife roller bearing grease ECO-Li 91**, screw on hub cap and tighten to the prescribed tightening torque (steel hub cap 800 Nm, alloy hub cap 350 Nm).

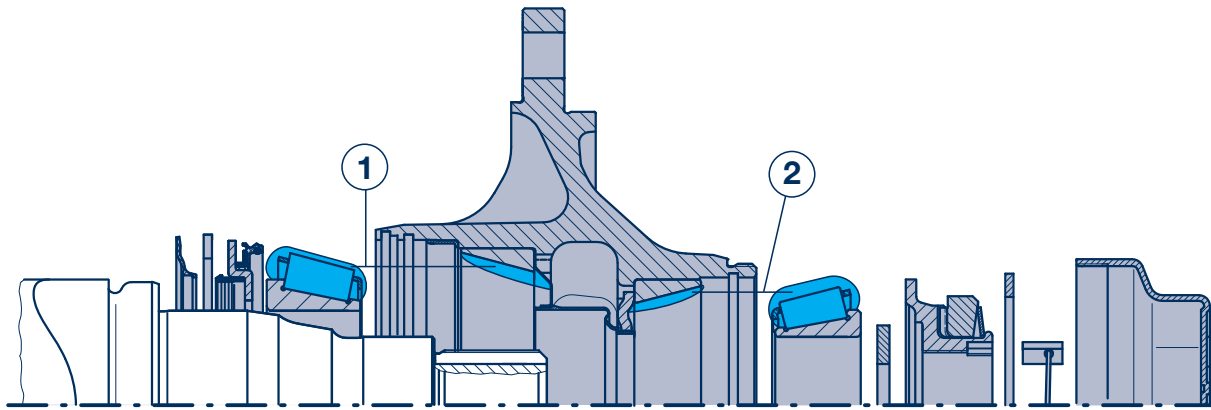
BPW longlife roller bearing grease ECO-Li 91	Container	BPW Code no.
	0,4 kg Cartridge	02.1040.34.00
	2.5 kg Bucket	02.1040.30.00
	5 kg Bucket	02.1040.31.00
	15 kg Bucket	02.1040.52.00
	50 kg Drum	02.1040.33.00

10 Grease filling per wheel hub, bearing adjustment

10.3 ECO^{Plus} hub bearing unit

Grease filling per wheel hub

ECO^{Plus} hub system (ECO^{Plus} Unit)



The ECO^{Plus} hub system is designed for the use of longlife grease. On expiry of the guarantee, the roller bearings, the inside of the hub and the seals are to be thoroughly cleaned (with diesel oil), dried, checked to see if they can be re-used; and regreased every three years when used off-road, or every 5 years when used on the road, within Europe (or every year when off-road and every two years when on the road outside of Europe) (observe the current BPW maintenance instructions).

Apply **BPW ECO Protection Grease** (via microflow brush) as thin as possible around the stub-axle bearing seats.

		BPW longlife roller bearing grease ECO-Li ^{Plus} , quantity per tapered roller bearing			
		① inner		② outer	
Axle load	Axle type	Roller bearing	Quantity	Roller bearing	Quantity
8000 - 12000kg	H.. / SH.. 8 - 12t ECO ^{Plus}	33118	170 g	33213	120 g
	K.. / SK.. 8 - 12t ECO ^{Plus}		130 g *		90 g *

- ① Work **BPW longlife roller bearing grease ECO-Li^{Plus}** thoroughly into the spaces between the tapered rollers and the races. Apply remainder to outer races in the hub.
 +
 ② Renew the lip seal and smear contact area with **BPW longlife roller bearing grease ECO-Li^{Plus}**.

* Greasing with grease spray see page 71.

Bearing adjustment

ECO^{Plus} hub system (ECO^{Plus} Unit)

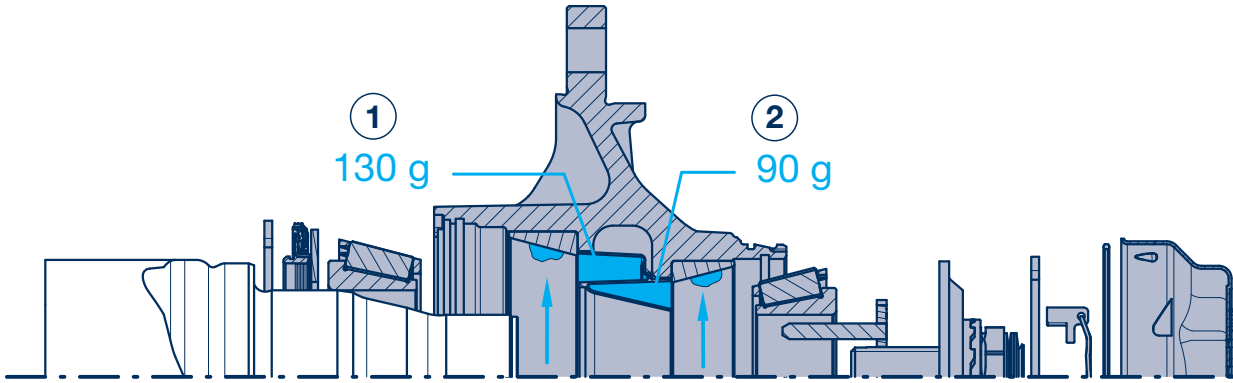
1. Unscrew the hub cap.
2. Remove the hooked spring ring with a wedge from the axle nut.
3. Use a spanner to tighten the axle nut whilst at the same time turning the wheel hub, until the axle nut torque limiter operates (do not use an impact driver).
4. Fit the retaining key in the groove between the axle stub and the nut (do not reset the axle nut).
5. Insert the hooked spring ring, depending on the version, behind the flange on the axle nut or in the thread on the axle stub.
6. Screw on hub cap and tighten to 800 Nm.

BPW longlife roller bearing grease ECO-Li ^{Plus}	Container	BPW Code no.
	0,4 kg Cartridge	02.1040.45.00
	5 kg Bucket	02.1040.47.00
	25 kg Bucket	02.1040.49.00
	50 kg Drum	02.1040.50.00
BPW ECO-Assembly and Protection Spray	400 ml Can	02.3521.12.00

Grease filling per wheel hub, bearing adjustment 10

ECO Plus 2 hub bearing unit 10.4

Grease filling per wheel hub ECO Plus 2 hub system (ECO Plus 2 Unit)



The ECO Plus 2 hub system is designed for the use of longlife grease. On expiry of the guarantee, the roller bearings, the inside of the hub and the seals are to be thoroughly cleaned (with diesel oil), dried, checked to see if they can be re-used; and regreased every three years when used off-road, or every 5 years when used on the road, within Europe (or every year when off-road and every two years when on the road outside of Europe) (observe the current BPW maintenance instructions).

Apply **BPW ECO Protection Grease** as thin as possible and around the entire area of bearing seats of the axle stub.

		BPW longlife roller bearing gre ^{ase} ECO-LiPlus, quantity per tapered roller bearing			
		① inner		② outer	
Axle load	Axle type	Roller bearing	Quantity	Roller bearing	Quantity
6500 - 9000kg	H.. / SH.. 6.5 - 9t ECO Plus 2 K.. / SK.. 8 - 9t ECO Plus 2 N.. 7 - 9t ECO Plus 2	33118	130 g	33213	90 g

- ① Clean the grease cartridge and fill it on both sides up to the edge with BPW ECO-LiPlus special long-life grease.
- + Apply a ring-shaped bead of grease to the running surfaces of the outer bearing races.
- ② Apply a coat of **BPW ECO-LiPlus special long-life grease** all around the lip of the seal.

For other procedures see the current maintenance instructions (BPW-W-ECO Plus 1203...e).

When BPW grease applicators are used there is no need to fill the grease cartridge or to apply the bead of grease.

Greasing with grease spray see page 71.

Bearing adjustment ECO Plus 2 hub system (ECO Plus 2 Unit)

1. Undo the hub cap by turning it through approx. 30 degrees in an anticlockwise direction. When turned further the hub cap lifts clearly away from the ECO unit and can be removed by pulling it away.
2. Remove the hooked spring ring and retaining key from the axle bolt.
3. Tighten the axle bolt while at the same time turning the ECO unit with a 46 mm hexagon spanner until the crown of the axle bolt clicks round.
NB! Do not use an impact driver.
4. Insert the retaining key into the recess in the axle bolt and into the crown of the toothed lock washer (do not turn the axle bolt back)..
5. Insert the hooked spring ring into the groove at the end of the hexagon profile of the axle bolt.
6. Insert a new O-ring into the groove in the wheel hub.
7. Apply a thin layer of **BPW ECO-LiPlus special longlife grease** to the hub cap in the area of the O-ring contact surface and the bayonet fitting.
8. Put the hub cap on (position 1). Use the 120 mm hub cap spanner to lock the hub cap in place by turning it through approx. 30 degrees in a clockwise direction, while at the same time pressing on the hub cap. It is firmly in place when it reaches position 2.

NB! Do not use an impact driver - bayonet fitting.

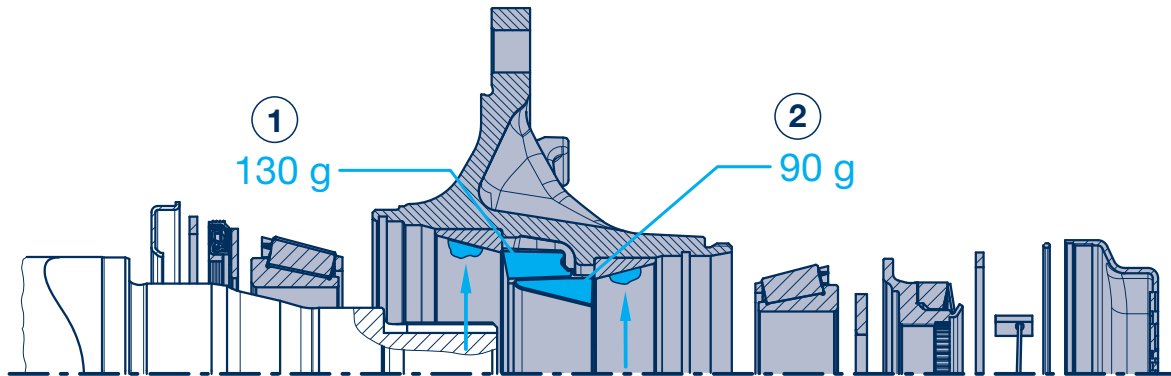
H
SH
K
SK
N

10 Grease filling per wheel hub, bearing adjustment

10.5 ECO Plus 3 hub bearing unit

Grease filling per wheel hub

ECO Plus 3 hub system (ECO Plus 3 Unit)



The ECO Plus 3 hub system is designed for the use of longlife grease. On expiry of the guarantee, the roller bearings, the inside of the hub and the seals are to be thoroughly cleaned (with diesel oil), dried, checked to see if they can be re-used; and re-greased every three years when used off-road, or every 5 years when used on the road, within Europe (or every year when off-road and every two years when on the road outside of Europe) (observe the current BPW maintenance instructions).

Apply **BPW ECO-Assembly and Protection Spray** as thin as possible and around the entire area of bearing seats of the axle stub.

		BPW longlife roller bearing grease ECO-Li ^{Plus} , quantity per tapered roller bearing			
		① inner		② outer	
Axle load	Axle type	Roller bearing	Quantity	Roller bearing	Quantity
8000 - 9000kg	H.. / SH.. 6.5 - 9t ECO Plus 3 K.. / SK.. 8 - 9t ECO Plus 3 N.. 7 - 9t ECO Plus 3	33118	130 g	33213	90 g

- ① Clean the grease cartridge and fill it on both sides up to the edge with **BPW longlife roller bearing grease ECO-Li^{Plus}**.
+ Apply a ring-shaped bead of grease to the running surfaces of the outer bearing races.
② Apply a coat of **BPW longlife roller bearing grease ECO-Li^{Plus}** all around the lip of the seal.

For other procedures see the current maintenance instructions.

When BPW grease applicators are used there is no need to fill the grease cartridge or to apply the bead of grease.

Greasing with grease spray see page 71.

Bearing adjustment

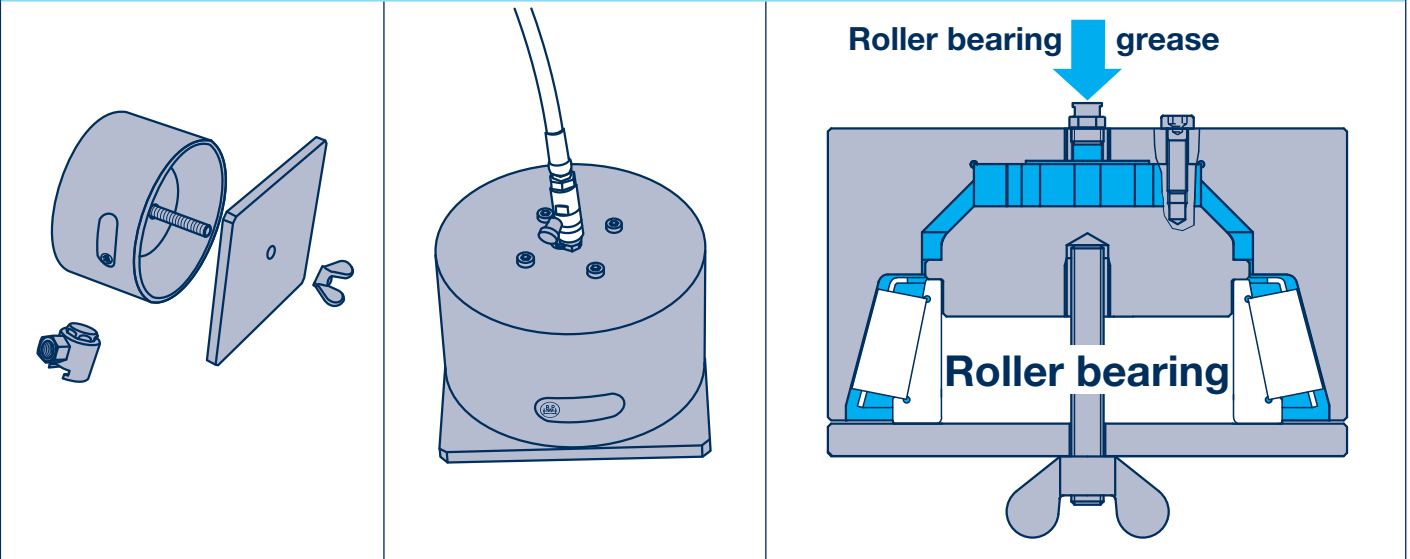
ECO Plus 3 hub system (ECO Plus 3 Unit)

- Unscrew the hub cap.
- Remove the hooked spring ring and retaining key from the axle nut.
- Use a spanner to tighten the axle nut whilst at the same time turning the wheel hub, until the axle nut torque limiter operates (do not use an impact driver).
- Fit the retaining key in the groove between the axle stub and the nut (do not reset the axle nut).
- Insert the hooked spring ring, depending on the version, behind the flange on the axle nut or in the thread on the axle stub.
- Insert a new 'O'-ring into the groove in the wheel hub.
- Screw on hub cap and tighten to 350 Nm.

Grease filling per wheel hub, bearing adjustment 10

Grease sprays for greasing taper roller bearings 10.6

Grease sprays for greasing taper roller bearings



Grease spray	for taper roller bearing	BPW Code no. grease spray loose	BPW Code no. complete set
	33116	16.076.22935	99.00.000.9.54
	32310	16.072.22935	
	33118	16.062.22935	99.00.000.9.55
	33213	16.068.22935	
Complete set including adapter for flat grease nipple			
Adapter for flat grease nipple		BPW Code no.	
		15.069.22935	

H
SH
K
SK
N



BPW-Repsatz 31111601e

BPW is a globally leading manufacturer of intelligent running gear systems for trailers and semi-trailers. As an international mobility and system partner, we offer a wide range of solutions for the transport industry from a single source, from axle to suspension and brake to user-friendly telematics applications.

We thereby ensure outstanding transparency in loading and transport processes and facilitate efficient fleet management. Today, the well-established brand represents an international corporation with a wide product and service portfolio for the commercial vehicle industry. Offering running gear systems, telematics, lighting systems, composite solutions and trailer superstructures, BPW is the right system partner for automotive manufacturers.

BPW, the owner-operated company, consistently pursues one target: To always give you exactly the solution which will pay off. To this end, we focus our attention on uncompromising quality for high reliability and service life, weight and time-saving concepts for low operating and maintenance costs as well as personal customer service and a close-knit service network for quick and direct support. You can be sure that with your international mobility partner BPW, you always use the most efficient method.

Your partner on the path to economic viability



BPW Bergische Achsen Kommanditgesellschaft

Itembox 12 80 · 51656 Wiehl, Germany · Phone +49 (0) 2262 78-0
info@bpw.de · www.bpw.de