



For **strong** ties.

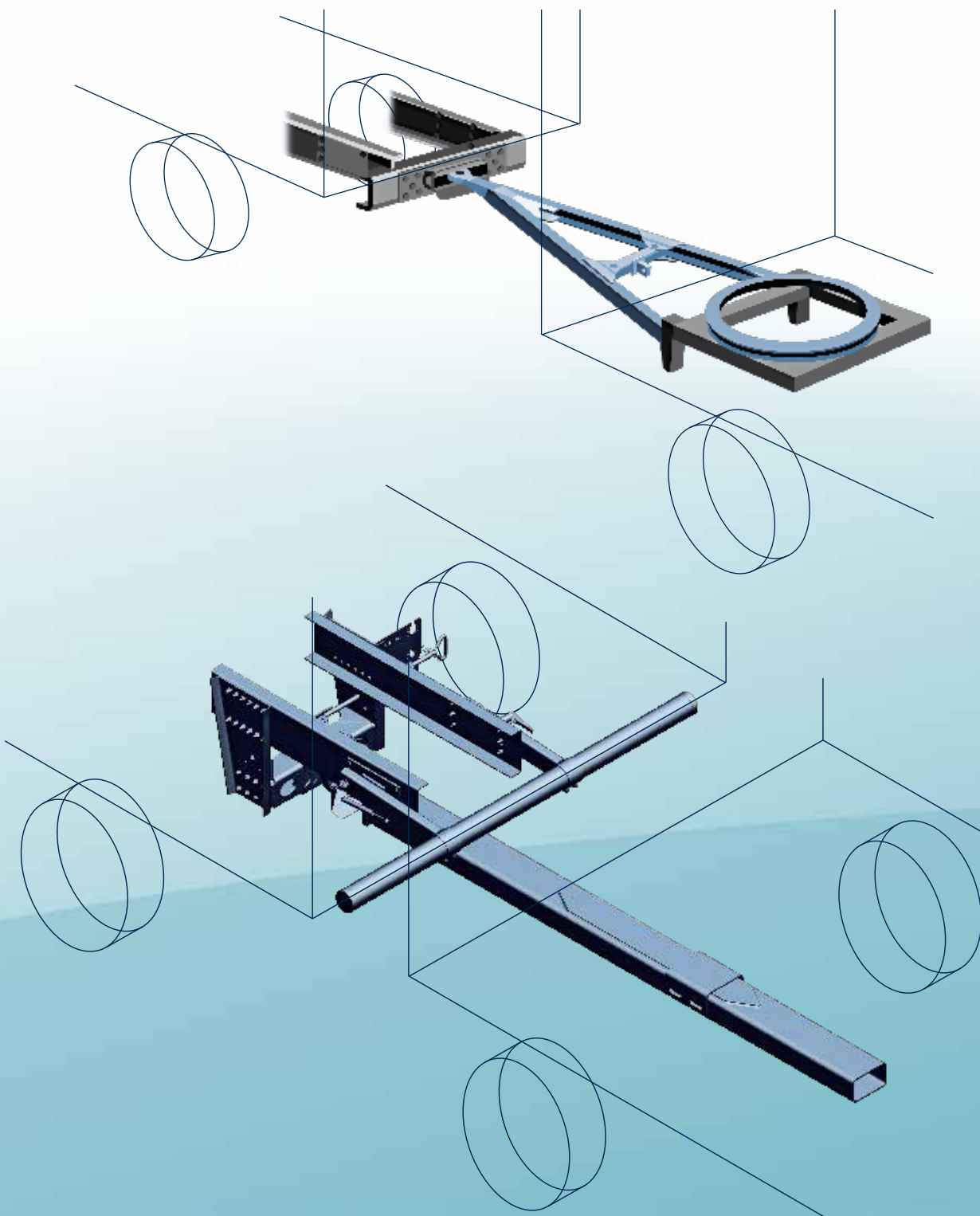
Connecting assemblies from BPW.

we think transport



# Making sure what belongs together fits together – BPW connecting assemblies for centre axle drawbar trailers and turntable drawbar trailers.

Naturally, high-quality connecting assemblies form part of the product range at BPW, your mobility partner. We offer the perfect coupling solution between vehicle and trailer, whatever your requirements. From hitch blocks and underrun guards to drawbars and turntables. And all with a maximum of security and reliability.



# Secure connections.

When it comes to security, the connection between the towing vehicle and the trailer contains some of the most important components in the whole truck. These components have to transfer all forces between the towing vehicle and the trailer, permanently and reliably.

To this end, the vehicle/trailer combination is decisive in the choice of connecting device. The two most important combinations are composed of towing vehicle with centre axle drawbar trailer, and towing

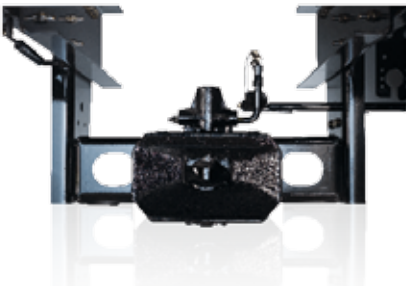
vehicle with multi-axle drawbar trailer and turntable steering. BPW offers a complete range of connecting assemblies for both combinations.

## BPW drawbars



- › for centre axle drawbar trailers with a maximum total weight of 6 t to 24 t
- › drawbar loads up to 2,500 kg
- › with EC approval or individual certificate
- › KTL<sub>Zn</sub> coating
- › expert advice and calculation of characteristic values (e.g. for optimum equalisation between the BPW hitch block and the BPW drawbar)
- › various models available:
  - rigid, length-adjustable, or height-adjustable
  - different types of towing eyes
  - special constructions for higher tonnage
- › high level of corrosion resistance due to galvanised internal tubes in drawbars with variable length

## BPW hitch blocks



- › the hitch block makes it possible to connect a centre axle drawbar trailer or a low-coupled turntable drawbar trailer
- › permitted total trailer weight up to 24 t
- › drawbar loads up to 2,000 kg (V value up to 70 kN)
- › stepless heights from 150 mm to 400 mm
- › with ECE approval or individual certificate
- › BPW remote control devices available with general certification (for bolting onto vehicle frame)
- › optional vehicle-specific hole pattern
- › option of hitches (e.g. Orlandi, Ringfeder, Rockinger) and assembled plug holders
- › KTL<sub>Zn</sub> coating

## Folding BPW underrun bar UFK III



- › ECE approval according to directive R58
- › increase in permitted vehicle frame width to 1,400 mm
- › optionally available in heights 350 mm and 500 mm
- › optionally with clamped, welded cross-member or without crossmember
- › parallelogram version: Locking on both sides, for approved crossmembers (not supplied)
- › vehicle-specific hole pattern
- › easy handling through gas spring and one-sided locking (not on parallelogram version)
- › easy assembly through bolting onto vehicle frame
- › KTL<sub>Zn</sub> coating

## BPW drawbars



- › for turntable drawbar trailers with a permitted total weight of 12 t to 48 t
- › common dimensions are available immediately
- › with ECE approval or individual certificate
- › high level of corrosion resistance due to galvanised drawbar tubes in assemblies with adjustable length
- › various model available:
  - with inclined towing eye
  - with fixed central tube
  - straight or offset
  - variable length
  - with swivelling eye
  - with semi-automatic length adjustment
  - with low-maintenance silent bushes
- › KTL<sub>zn</sub> coating

## BPW turntables



- › the turntable establishes the connection between the vehicle subframe and the pivot mounting
- › reliable axial loading of 5 to 30 t
- › drilled or non-drilled options
- › optimum distribution of axial and radial forces occurring due to doubled row of all bearings
- › crown mouldings made of heat-formed, butt-welded, calibrated, high-strength steel
- › protection of the rim interior against dust and dirt through heat sealing
- › wear-resistant due to low roll depth of the load-carrying balls and increasing hardening of the ball track under stress
- › less sensitive to short-term overloading
- › the special design of BPW turntables results in a significantly longer service life

## BPW Klemmfix 72 – height adjustment device



- › allows stepless adjustment of the drawbar
- › stepless orientation of the drawbar (min. +/- 300 mm) higher or lower
- › can be matched to the towing eye by one person without tools or other aids
- › versions acting on train or pressure
- › galvanized
- › for drawbars weighing more than 75 kg, an additional height support device should be installed (return spring with clamp lock or spring washers)

# Benefits and performance that can take the strain.

BPW offers you connections from top-quality components. Our wide-ranging product portfolio, especially our solutions in the System Partnership area, ensure your mobility.

## YOUR BENEFITS

- › development and manufacture by BPW
- › ISO certified according to DIN EN ISO 9001:2008 and ISO/TS 16949:2009
- › comprehensive KTL<sub>Zn</sub> coating
- › expert advice and calculation of characteristic values
- › documented production
- › technical documentation
- › over 3,200 service partners worldwide
- › exemplary spare parts availability



The BPW Group:



BPW Flyer Connecting Assemblies 16021401  
www.united.de

